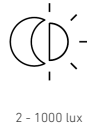
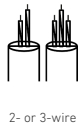


IR 180 UNIVERSAL

white
 EAN 4007841 033149
 Article number 033149



Function description

World first for modernisation and refurbishment. 180° infrared presence switch in patented 2-wire design – perfect for LED lamps. Integrated SuperCap energy storage system for flawless functionality even in the event of a power cut. Zero-watt stand-by output. Absolutely flicker-free light from any lamp. Integrated switch for manual override. 20 m reach.

Technical specifications

Dimensions (L x W x H)	30 x 80 x 80 mm	Mounting height	1,10 – 1,20 m
Manufacturer's Warranty	5 years	Mounting height max.	1,20 m
Settings via	Remote control, Potentiometers, Smart Remote	Optimum mounting height	1,2 m
With remote control	No	Detection angle	180 °
Version	white	Angle of aperture	90 °
PU1, EAN	4007841033149	Sneak-by guard	Yes
Type	Presence detector	Capability of masking out individual segments	No
Application, place	Indoors	Electronic scalability	Yes
Application, room	one-person office, corridor / aisle, function room / ancillary room, kitchenette, stairwell, WC / washroom, Indoors	Mechanical scalability	No
Colour	white	Reach, radial	r = 4 m (25 m ²)
Colour, RAL	9010	Reach, tangential	r = 20 m (628 m ²)
Includes corner wall mount	No	Reach, presence	r = 4 m (25 m ²)
Installation site	wall	Switching zones	96 switching zones
Installation	Concealed wiring, Wall	Functions	Switch active / switch inactive, Normal / test mode, Manual ON / ON-OFF
		Twilight setting	2 – 1000 lx

IR 180 UNIVERSAL

white
EAN 4007841 033149
Article number 033149



Technical specifications

IP-rating	IP20
Ambient temperature	0 – 40 °C
Material	Plastic
Mains power supply	220 – 240 V / 50 – 60 Hz
Switching output 1, resistive	200 W
Switching output 1, number of LEDs / fluorescent lamps	6 pcs.
Capacitive load in μF	132 μF
Technology, sensors	passive infrared, Light sensor

Time setting	30 s – 15 Min.
Basic light level function	No
Main light adjustable	No
Twilight setting TEACH	Yes
Constant-lighting control	No
Interconnection	No

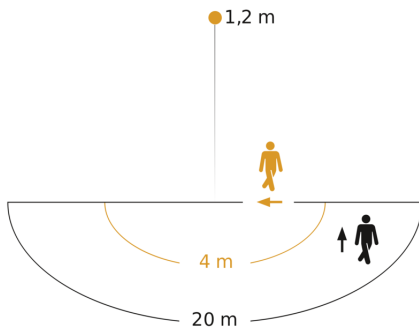
Accessories

EAN 4007841 034160	Adapter frame for IR/HF 180
EAN 4007841 034184	Adapter frame for IR/HF 180
EAN 4007841 034139	Adapter frame for IR/HF 180

IR 180 UNIVERSAL

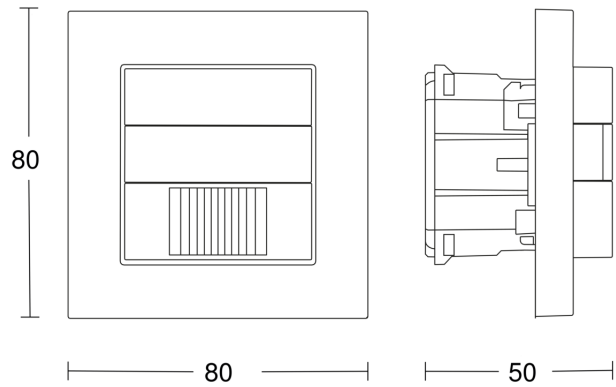
white
EAN 4007841 033149
Article number 033149

Detection Zone



Possible mounting height: 1,10 m - 1,20 m
Orange: radial
Black: tangential

Dimension Drawing



Master circuit diagram

