

# IR Quattro MICRO 6m

COM1 - white  
 EAN 4007841 053789  
 Article number 053789



infrared sensor 360°



max. 4 x 4 m presence

1000 W

1000 W max. (LED-ready)



IP65



2 - 1000 lux



5 sec - 60 min

5 years

manufacturer's warranty steinel-professional.de/garantie



CE



VDE

## Function description

Small sensor. Great performance. The IR Quattro MICRO meets the wish of many architects and planners for a sensor that's as inconspicuous as possible. It impresses with its compact size after installation, low overall height and a micro precision lens (15 x 15 mm). At the same time, the small 360° infrared presence puts on a great performance, covering 36 m<sup>2</sup>. IP65 certification also makes it suitable for rooms exposed to moisture.

## Technical specifications

Dimensions (Ø x H)	43 x 75 mm	LED lamps > 2 W < 8 W	300 W
With motion detector	Yes	LED lamps > 8 W	600 W
Manufacturer's Warranty	5 years	Capacitive load in µF	176 µF
Settings via	Remote control, Smart Remote	Power consumption	0,5 W
With remote control	No	Technology, sensors	passive infrared, Light sensor
Version	COM1 - white	Mounting height	2,50 – 4,00 m
PU1, EAN	4007841053789	Mounting height max.	4,00 m
Type	Presence detector	Optimum mounting height	2,8 m
Application, place	Indoors	Detection angle	360 °
Application, room	one-person office, hotel room, care room, function room / ancillary room, WC / washroom, Indoors	Angle of aperture	90 °
Colour	white	Sneak-by guard	Yes
Colour, RAL	9003	Capability of masking out individual segments	No
Includes corner wall mount	No	Electronic scalability	No
Installation site	ceiling	Mechanical scalability	No
Installation	In-ceiling installation, Ceiling	Reach, radial	4 x 4 m (16 m <sup>2</sup> )
		Reach, tangential	6 x 6 m (36 m <sup>2</sup> )

# IR Quattro MICRO 6m

COM1 - white  
 EAN 4007841 053789  
 Article number 053789



## Technical specifications

IP-rating	IP65
Ambient temperature	-25 – 55 °C
Material	Plastic
Mains power supply	220 – 240 V / 50 – 60 Hz
Switching output 1, resistive	1000 W
Switching output 1, number of LEDs / fluorescent lamps	8 pcs.
Switching output 1, floating	No
Fluorescent lamps, electronic ballast	500 W
Fluorescent lamps, uncorrected	400 VA
Fluorescent lamps, series-corrected	400 VA
Fluorescent lamps, parallel-corrected	400 VA
Switching output 1, low-voltage halogen lamps	1000 VA
LED lamps < 2 W	100 W

Reach, presence	4 x 4 m (16 m <sup>2</sup> )
Switching zones	168 switching zones
Functions	Normal / test mode, Semi-/fully automatic, Manual ON / ON-OFF
Twilight setting	2 – 1000 lx
Time setting	5 s – 60 Min.
Basic light level function	No
Main light adjustable	No
Twilight setting TEACH	Yes
Constant-lighting control	No
Interconnection	Yes
Type of interconnection	Master/master, Master/slave
Interconnection via	Cable

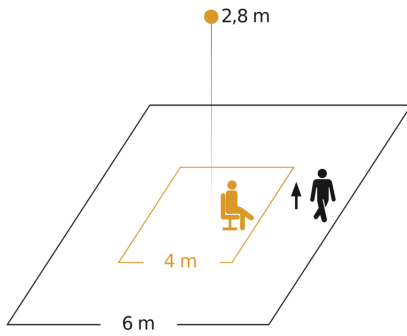
## Accessories

EAN 4007841 009151	Remote control Smart Remote
EAN 4007841 592806	User remote control RC5
EAN 4007841 559410	Service remote control RC8

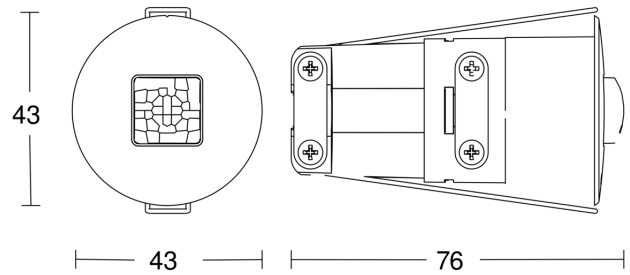
# IR Quattro MICRO 6m

COM1 - white  
EAN 4007841 053789  
Article number 053789

## Detection Zone

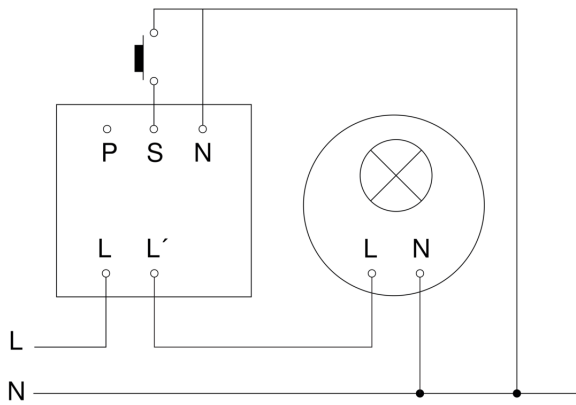


## Dimension Drawing



Possible mounting height: 2,50 m - 4,00 m  
Orange: presence  
Black: tangential

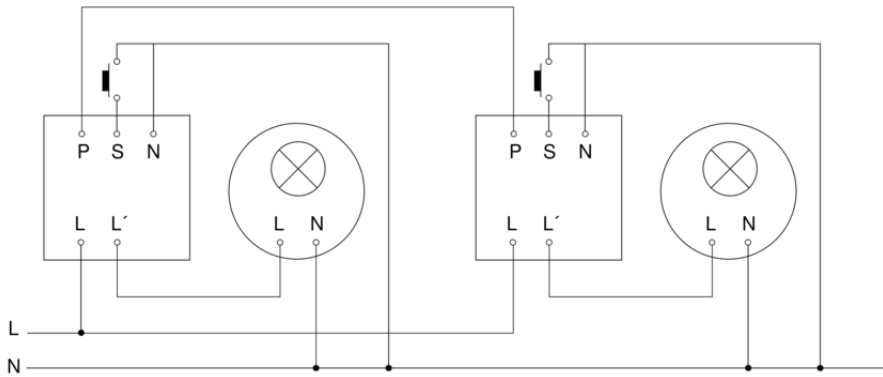
## Master circuit diagram



# IR Quattro MICRO 6m

COM1 - white  
EAN 4007841 053789  
Article number 053789

## Master/master interconnection circuit diagram



## Master/slave interconnection circuit diagram

