

GENERAL FEATURES

- Longer cycle life: special paste formula, over dimensioned negative plate, optimized manufacturing process, additives for deep discharge.
- Special separators boost up the battery internal performance.
- Using oxygen recombination technology, maintenance-free and little water losing.
- ABS material: enhanced strength of the battery container. (Flame-retardant ABS is optional).
- Designed to have a lifespan of 12 years for float charging at 25°C



APPLICATIONS

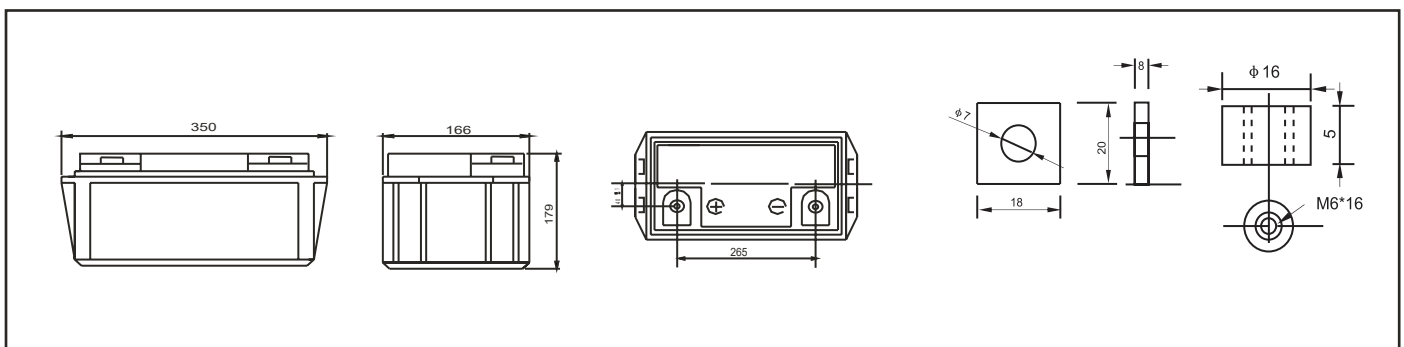
- Electric tools
- Vehicle in place of walking
- Lawn mowers
- Golf trolleys and golf cart
- Power system of special network or local area network
- Electric toys
- Railway and marine systems
- Fire alarms
- Solar and wind power system
- Electric wheelchairs
- Medical equipment



SPECIFICATIONS

Model	Nominal Voltage	12V		
	Rated Capacity (20Hr rate)	65Ah		
Dimensions	Length	Width	Height	Total Height
	350mm (13.78")	166mm (6.54")	179mm (7.05")	179mm (7.05")
Weight	Approx. 20kg ± 3%			
Capacity @25°C (77°F)	10 Hour (6.5A,10.8V)	5 Hour (11.0A,10.5V)	3 Hour (16.25A,10.2V)	1 Hour (35.75A,9.6V)
	65.0Ah	55.0Ah	48.75Ah	35.75Ah
Internal Resistance	Fully charged at 25°C, approx. 11.0mΩ			
Max. Discharge current	650A (5 Sec.)			
Capacity Affected by Temp. (20Hr)	40°C (104°F)	25°C (77°F)	0°C (32°F)	-15°C (5°F)
	102%	100%	85%	65%
Self Discharge Rate @25°C (77°F)	After 3 months Storage	After 6 months Storage	After 12 months Storage	
	91%	82%	64%	
Charge Method	Cycle Use		Float Charging	
	14.1-14.4V (Initial current less than 16.25 A) @25°C (77°F)		13.5-13.8V@25°C (77°F)	

DIMENSIONS & TERMINALS

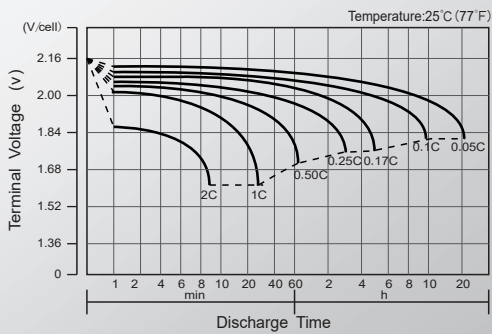


PERFORMANCE CHARACTERISTICS

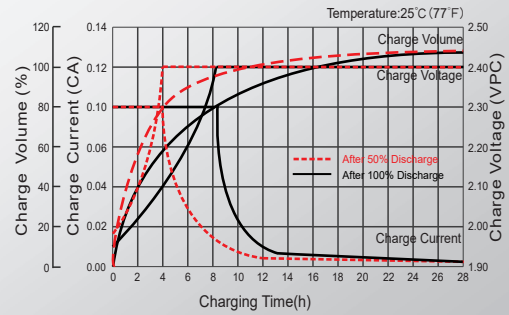
Constant Current (Amp.) and Constant Power (Watt) Discharge Table @25°C (77°F)

Cell Voltage	Time	5min	10min	15min	30min	1hr	2hr	3hr	4hr	5hr	8hr	10hr	20hr
9.60V	A	192.00	127.00	102.00	68.00	36.00	21.00	15.40	12.00	9.90	7.00	6.30	3.40
	W	1983.00	1352.00	1094.00	735.00	389.00	231.00	171.60	135.00	112.60	80.40	72.80	39.60
10.20V	A	186.00	114.00	96.00	65.00	34.00	20.00	15.00	11.70	9.70	6.80	6.20	3.30
	W	1988.00	1276.00	1076.00	734.00	383.00	231.00	173.70	136.00	113.30	80.00	72.60	38.70
10.50V	A	180.00	102.00	84.00	61.00	33.00	20.00	14.60	11.50	9.60	6.80	6.10	3.30
	W	1966.00	1162.00	959.00	704.00	379.00	227.00	170.60	134.80	112.60	79.70	71.70	39.00
10.80V	A	174.00	96.00	78.00	56.00	32.00	19.00	14.30	11.30	9.40	6.60	6.00	3.20
	W	1947.00	1111.00	900.00	653.00	369.00	223.00	168.40	133.90	110.60	78.20	71.30	38.60
11.10V	A	168.00	90.00	72.00	50.00	31.00	19.00	13.80	11.00	9.10	6.40	5.70	3.10
	W	1902.00	1045.00	839.00	590.00	360.00	220.00	163.90	131.50	108.80	76.90	68.80	37.10

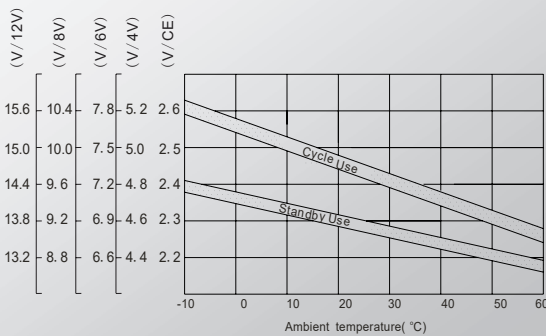
DISCHARGE CHARACTERISTICS



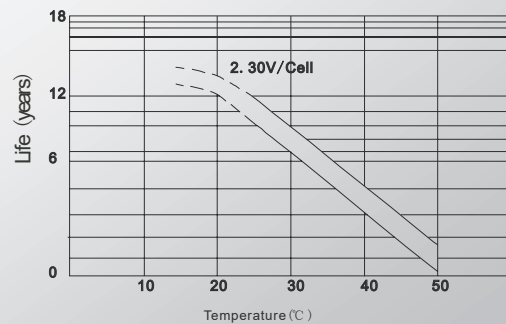
CHARGING CHARACTERISTICS (STANDBY)



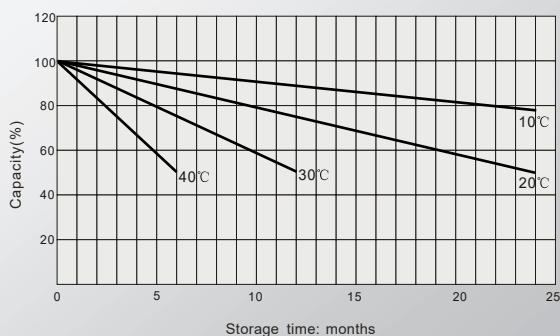
CHARGING VOLTAGE V.S. TEMP.



EFFECT OF TEMP. ON LONG TERM FLOAT DESIGNED LIFE



SELF DISCHARGE CHARACTERISTICS



CYCLE LIFE IN RELATION TO THE DEPTH OF DISCHARGE

