

## GENERAL FEATURES

- Designed with AGM (Absorbent Glass Mat) technology, equipping high performance plates and electrolyte, the 6FM33 is a general-purpose VRLA battery with a lifespan of 5 years for float charging at 25°C
- Using oxygen recombination technology, maintenance-free.
- ABS material: enhanced strength of the battery container. (Flame-retardant ABS is optional).



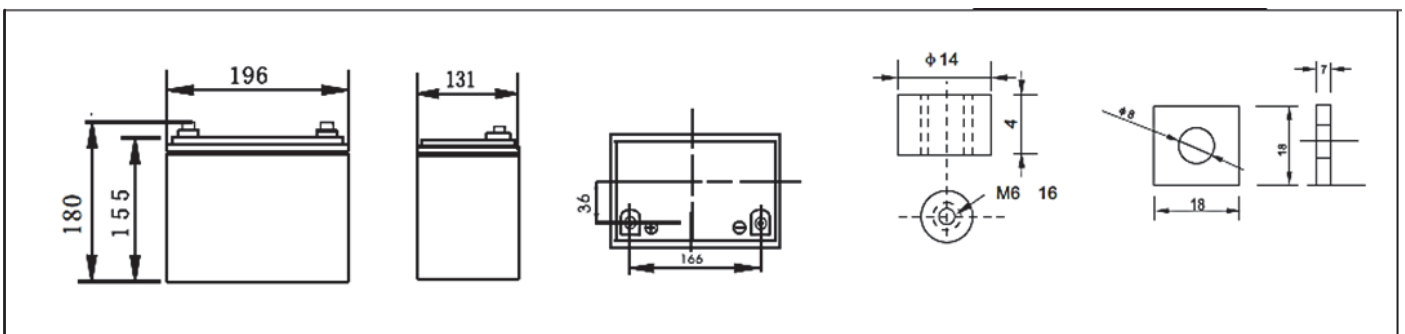
## APPLICATIONS

- All purpose
- Uninterruptable Power Supply (UPS)
- Electric Power System (EPS)
- Emergency backup system
- Emergency light
- Railway Signal
- Aircraft signal
- Alarm and security system
- Electronic apparatus and equipment
- Communication power supply
- DC power supply
- Auto control system

## SPECIFICATIONS

<b>Model</b>	Nominal Voltage	12V		
	Rated Capacity (20Hr rate)	33Ah		
<b>Dimensions</b>	Length	Width	Height	Total Height
	196mm (7.72")	131mm (5.16")	155mm (6.10")	180mm (7.09")
<b>Weight</b>	Approx. 9.5 KG $\pm$ 3%			
<b>Capacity @25°C (77°F)</b>	20 hour (1.8A,10.8V)	10 hour (3.3A,10.5V)	5 Hour ( 5.6A,10.2V)	1 Hour (18A,9.6V)
	36Ah	33Ah	28Ah	18 Ah
<b>Internal Resistance</b>	Fully charged at 25°C, approx. 9.2mΩ			
<b>Max. Discharge Current</b>	330A (5 Sec. )			
<b>Capacity Affected by Temp. (20Hr)</b>	40°C (104°F)	25°C (77°F)	0°C (32°F)	-15°C (5°F)
	102%	100%	85%	65%
<b>Self Discharge Rate</b>	After 3 months Storage	After 6 months Storage	After 12 months Storage	
	91%	82%	64%	
<b>Charge Method</b>	Cycle Use		Float Charging	
	14.4-15.0V (Initial current less than 13.2A) @25°C (77°F)		13.5-13.8V@25°C (77°F)	

## DIMENSIONS & TERMINALS



PERFORMANCE CHARACTERISTICS

Constant Current (Amp.) and Constant Power (Watt) Discharge Table @25°C (77°F)													
Cell Voltage	Time	5min	10min	15min	30min	1hr	2hr	3hr	4hr	5hr	8hr	10hr	20hr
		9.60V	A	105.70	69.60	56.10	37.60	19.80	11.60	8.50	6.60	5.40	3.90
	W	1090.80	473.60	601.90	404.50	213.80	126.80	94.40	74.30	61.90	44.20	40.00	21.80
10.20V	A	102.40	62.80	52.90	36.00	18.60	11.00	8.30	6.40	5.30	3.80	3.40	1.80
	W	1093.30	701.60	591.60	403.80	210.50	127.00	95.50	74.80	62.30	44.00	39.90	21.30
10.50V	A	99.00	56.20	46.20	33.70	18.00	10.80	8.10	6.30	5.30	3.70	3.30	1.80
	W	1081.40	639.30	527.60	387.40	208.60	124.80	93.80	74.10	61.90	43.90	39.40	21.50
10.80V	A	95.40	53.00	43.00	31.00	17.40	10.50	7.90	6.20	5.10	3.60	3.30	1.80
	W	1070.80	610.80	495.00	359.40	202.80	122.90	92.60	73.60	60.80	43.00	39.20	21.20
11.10V	A	92.20	49.60	39.70	27.70	16.80	10.20	7.60	6.10	5.00	3.50	3.10	1.70
	W	1045.90	574.70	461.70	324.30	197.90	120.90	90.20	72.30	59.90	42.30	37.80	20.40

