

# NightMatic 5000-3

COM1 - white

EAN 4007841 011697

Article number 011697



Twilight switch +  
eco-mode

2000 W

2000 W max.  
(LED-ready)



IP54



2 - 1000 lux

5 years

manufacturer's  
warranty  
steinel-professional.de/garantie



CE



VDE

## Function description

Intelligent lighting control. NightMatic 5000-3 photo-electric lighting controller for indoors and out, ideal for illuminating shop windows, advertising and specific areas through the night, diffuse light measurement for monitoring the complete ambient brightness, unique night economy mode, heavy-duty relay for high switching capacity.

## Technical specifications

Type	Photo-cell controller
Dimensions (L x W x H)	42 x 95 x 95 mm
Mains power supply	220 – 240 V / 50 – 60 Hz
Sensor Technology	Light sensor
Application, place	Outdoors, Indoors
Installation site	wall, corner
Installation	Surface wiring
Twilight setting TEACH	Yes
Twilight setting	2 – 1000 lx
Output	2000 W
Switching output 1, resistive	2000 W
Switching output 1, number of LEDs / fluorescent lamps	8 pcs.
Fluorescent lamps, electronic ballast	1500 W
Fluorescent lamps, uncorrected	1000 VA
Fluorescent lamps, series-corrected	400 VA
Fluorescent lamps, parallel-corrected	400 VA
Switching output 1, low-voltage halogen lamps	2000 VA
LED lamps	100 W
LED lamps > 2 W	300 W

LED lamps > 8 W	600 W
Capacitive load in µF	176 µF
Constant-lighting control	No
Basic light level function	No
Functions	Night economy mode, light ON / OFF in the morning
Settings via	Remote control, Potentiometers, Smart Remote
Interconnection	Yes
Type of interconnection	Master/master
IP-rating	IP54
Material	Plastic
Ambient temperature	-20 – 50 °C
Application, room	outdoors
Colour	white
Colour, RAL	9003
Manufacturer's Warranty	5 years
Version	COM1 - white
PU1, EAN	4007841011697
Technology, sensors	Light sensor

# NightMatic 5000-3

COM1 - white

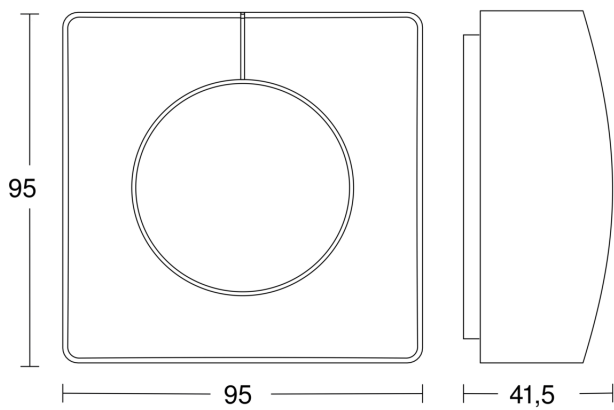
EAN 4007841 011697

Article number 011697

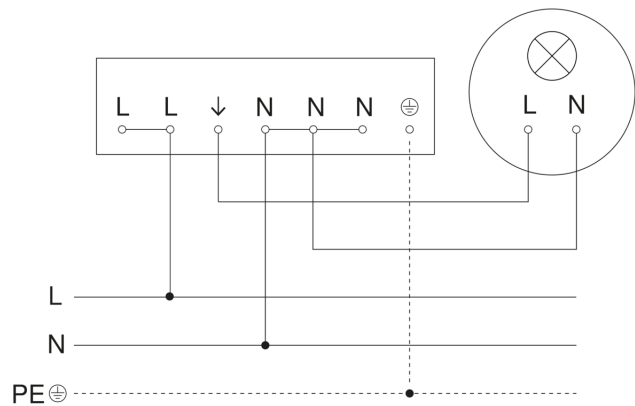
## Accessories

EAN 4007841 648015	Corner wall mount 3000
EAN 4007841 035174	Corner wall mount 3000
EAN 4007841 559410	Service remote control RC8

## Dimension Drawing



## Master circuit diagram



## Master/slave interconnection circuit diagram

