

Motion detector - Professional Line

iHF 3D

white

EAN 4007841 007577



intelligent high
frequency sensor
160°



3 zones scalable 3
x 1-7m, max. 7 m

2000w

2000 W max.
(LED-ready)



IP54



2 - 2000 lux



10 sec - 30 min



manual override



Ideal 2 m

TEACH

Teach mode



energy saving

Function description

Makes all the difference outside. Precisely where you want it to. iHF 3D motion detector, ideal for facades, carports, parking areas and patios. 160° iHF-sensor with 7 m reach, 3D aerial technology, identifies and distinguishes between moving objects, no inadvertent triggering any more by small animals, very low or high temperatures. Detects everything equally well whichever direction it is approached from.

iHF 3D

white

EAN 4007841 007577

Technical specifications

Type	Motion detectors
Dimensions (L x W x H)	120 x 117 x 120 mm
Mains power supply	120 – 250 V / 50 – 60 Hz
Power supply, detail	500 VA max., 120 V
Sensor Technology	iHF (intelligent high-frequency technology)
Application, place	Outdoors
Installation site	wall
Installation	Surface wiring
Mounting height	1,80 – 2,00 m
Reach, radial	r = 7 m (68 m ²)
Reach, tangential	r = 7 m (68 m ²)
Reach, detail	Detection zone adjustable on 3 axes
HF-system	5,8 GHz
Detection angle	160 °
Angle of aperture	100 °
Optimum mounting height	1,8 m
Mechanical scalability	No
Sneak-by guard	Yes
Capability of masking out individual segments	Yes
Electronic scalability	Yes
Twilight setting TEACH	Yes

Twilight setting	2 – 2000 lx
Time setting	10 s – 30 Min.
Switching output 1, resistive	2000 W
Fluorescent lamps, uncorrected	1000 VA
Constant-lighting control	No
Basic light level function	No
Functions	Normal / test mode, Manual ON / ON-OFF, Presence detector logic
Settings via	Remote control, Potentiometers, Smart Remote
With remote control	No
Interconnection	Yes
Type of interconnection	Master/master
IP-rating	IP54
Material	Plastic
Ambient temperature	-20 – 50 °C
Application, room	outdoors, front door, all round the building, terrace / balcony, courtyard & driveway
Colour	white
Colour, RAL	9010
Manufacturer's Warranty	5 years
Version	white
PU1, EAN	4007841007577

Accessories

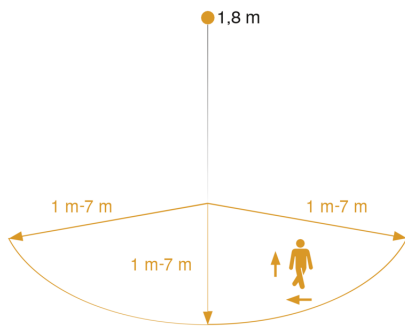
EAN 4007841 009151	Remote control Smart Remote
EAN 4007841 007638	Remote control RC9

iHF 3D

white

EAN 4007841 007577

Detection Zone

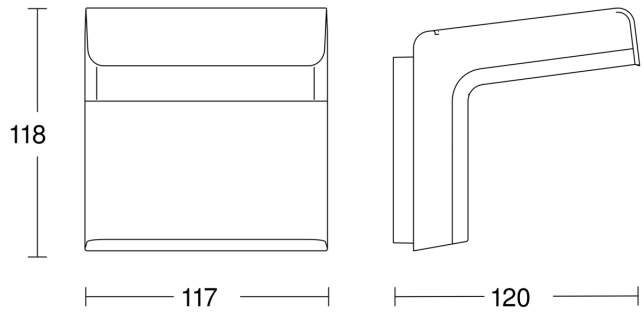


Mögliche Montagehöhe: 1,80 m – 2,00 m

Orange: radial und tangential

3 skalierbare Achsen

Dimension Drawing



Master circuit diagram

