

# EVF Series



## 6-EVF-120 12V120Ah

EVF series battery uses latest AGM technology with longer cycle life. It is suitable for large current and deep cyclic applications. It can be used in e-vehicles, sightseeing, golf and logistics cars.



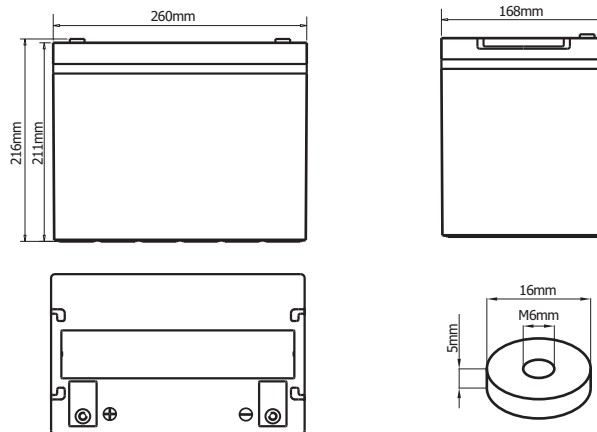
### Benefits

- Up to 700 cycles 80% DOD
- Good large current discharge performance
- High gas recombination efficiency
- Maximum charge efficiency
- Low self-discharge rate
- Easy installation and handling

### Applications

- Electrical Vehicle
- Mixture Electrical vehicle

### Drawing



### Standards



### Specifications

Battery Model	6EVF120			
Design Life (80% DOD)	700 cycles			
Capacity (Ah, 25°C)	20HR (6 A, 1.75V)	5HR (17.0A, 1.75V)	3HR (26.67A, 1.75V)	2HR(36A, 1.75V)
	120	85	80	72
Dimensions (mm)	Length	Width	Height	Total Height
	260	168	211	216
Approx. Weight (kg)	26.0			
Reference Internal Resistance (m)	5.8 ( full charged @ 25°C)			
Maximum Discharge Current (A/10 Sec.)	720			
Self-Discharge (25°C)	≤3% per month			
Charge Voltage (V/cell, 25°C)	Cycle use		Float use	
	2.45 (-3mV/°C/cell), max charge current: 12A		2.35 (-3mV/°C/cell)	

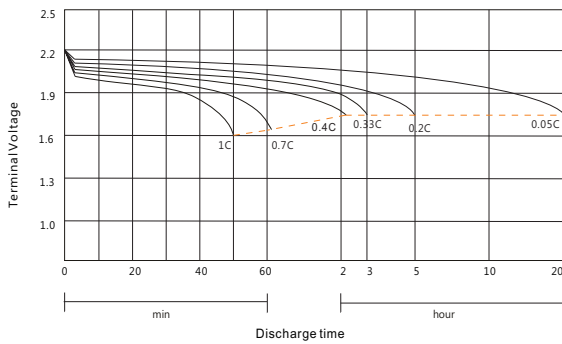


## Discharge Date

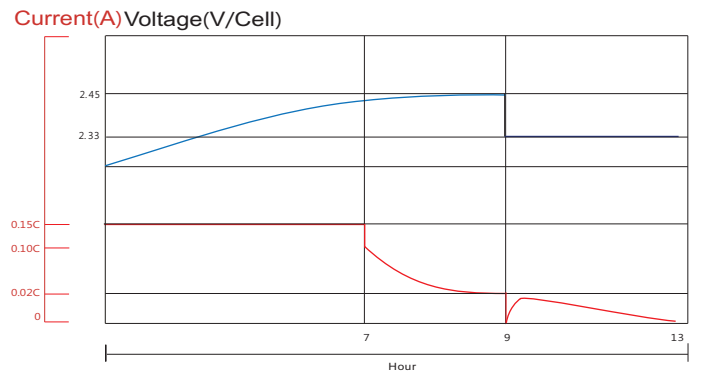
Constant Current Discharge Data (25°C, A)											
End Voltage (V/cell)	min					h					
	10	20	30	45	60	1.5	2	3	5	10	20
1.60	257.9	151.8	110.2	79.44	63.88	46.25	37.04	27.31	17.35	9.248	4.814
1.65	252.3	149.1	108.6	78.41	63.08	45.75	36.70	27.10	17.22	9.190	4.790
1.70	245.6	146.0	106.5	76.99	62.21	45.24	36.32	26.88	17.11	9.141	4.769
1.75	238.7	142.8	104.6	75.87	61.42	44.76	36.00	26.67	17.00	9.100	4.750
1.80	229.2	138.4	102.1	74.46	60.46	44.17	35.63	26.47	16.91	9.060	4.736

Constant Power Discharge Data (25°C, W/cell)											
End Voltage (V/cell)	min					h					
	10	20	30	45	60	1.5	2	3	5	10	20
1.60	453.1	273.4	202.6	148.3	120.9	88.66	71.57	53.20	34.01	18.26	9.547
1.65	451.3	272.7	202.1	148.0	120.4	88.20	71.34	53.07	33.93	18.22	9.532
1.70	445.6	270.2	200.2	146.8	119.8	87.88	71.14	53.01	33.90	18.20	9.526
1.75	439.0	267.6	198.9	146.1	119.3	87.73	70.99	52.87	33.84	18.17	9.511
1.80	433.0	264.7	197.1	145.0	118.4	87.10	70.63	52.68	33.76	18.14	9.510

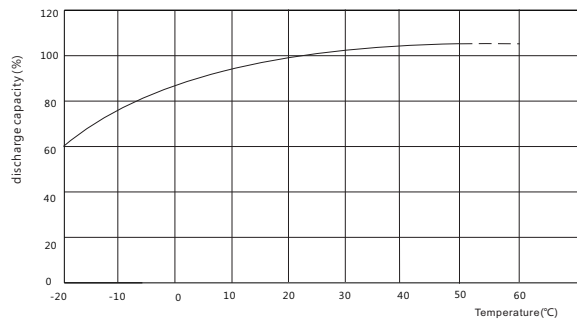
## Performance curve



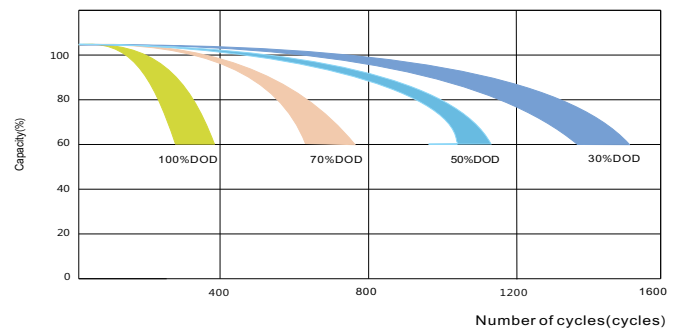
Discharging performance



Charge performance



Discharge capacity vs. temperature



Cycles vs. discharge depth