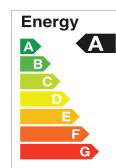
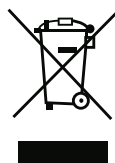
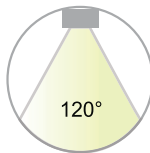
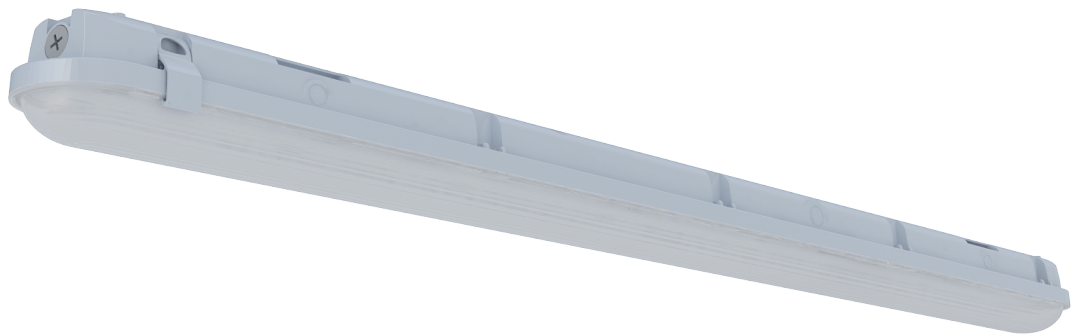


# LED Tri-proof Light



## Features & Benefits

1. Slotted iron Board, excellent heat dissipation.
2. Universal voltage: 100-277v or 100-347v.
3. IP65, IK08, and 850 degrees glow wire test requirement.
4. Modular installation, save labor cost.
5. Suitable for supermarket, warehouse, underground parking place, garage, production workshops.
6. 5-year warranty.

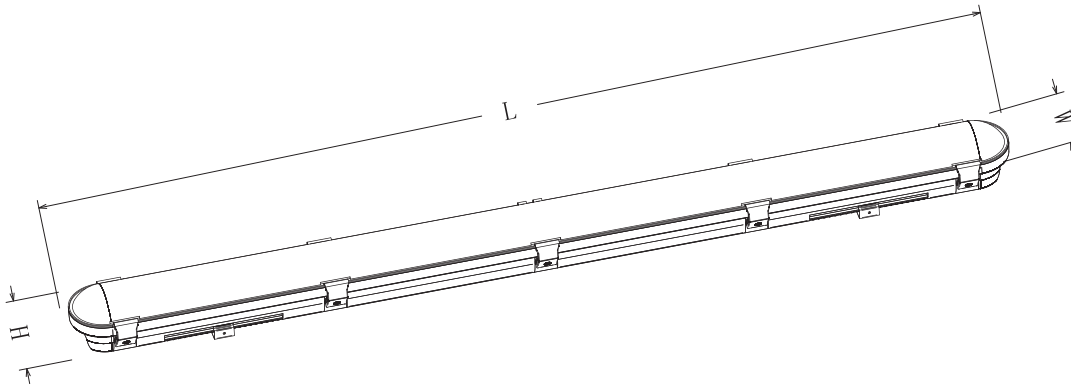
## Specification

Part No	Power	Input Voltage	Luminous Flux	Luminous Efficacy	CCT	Viewing Angle	Ra	PF	Warranty
TS-TPL1-4FT32W-X-XXK	32W	AC100-277V	4400LM	140LM/W	3500K 4000K 5000K	120°	>80	>0.9	5 Years
TS-TPL1-4FT40W-X-XXK	40W		5600LM						
TS-TPL1-4FT32W-347-XXK	32W	AC100-347V	4400LM						
TS-TPL1-4FT40W-347-XXK	40W		5600LM						
TS-TPL1-4FT50W-X-TCP	30/40/50W	AC100-277V	7000LM		35/40/50K				
TS-TPL1-4FT50W-347-TCP	30/40/50W	AC100-347V	7000LM						

The following multiple functions can be achieved according to customers' requests:

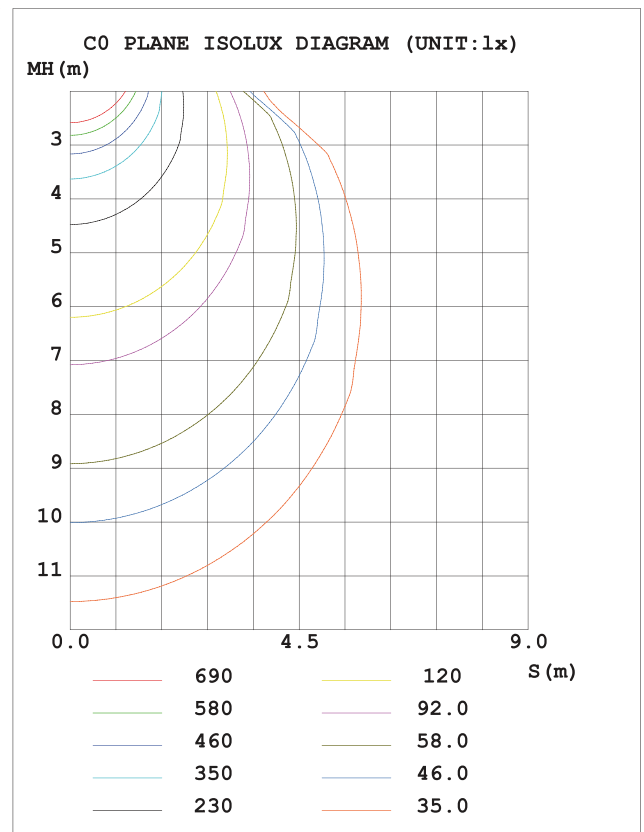
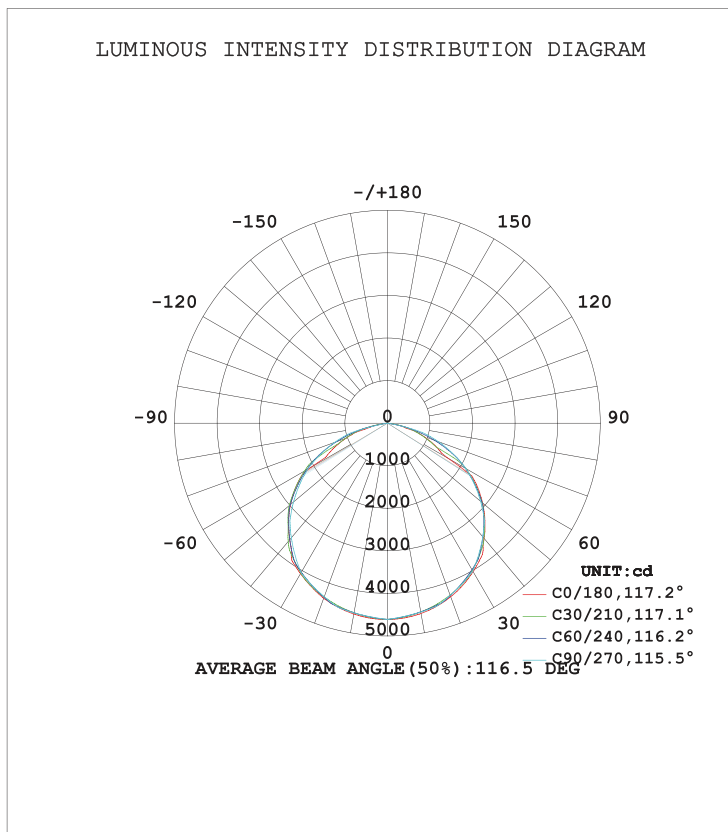
1. CCT options: 3500K, 4000K, 5000K. 35/40/50K.
2. Available with external or built-in microwave motion sensor.
3. Emergency: the power is 8W, it can still work in 1.5hrs while emergency situation.

## Product Dimension



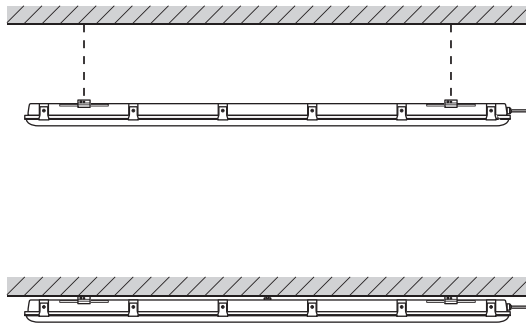
Model	L×W×H (mm/in)
TS-TPL1-4FT	1200*95*83/47.92*3.74*3.26

## Testing Report

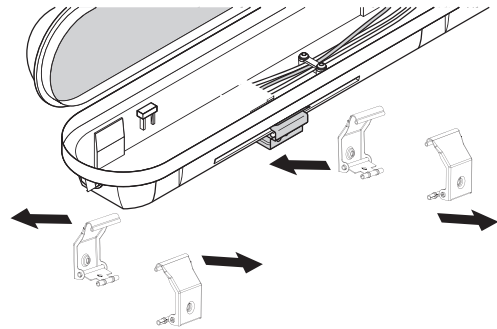


## Installation Manual

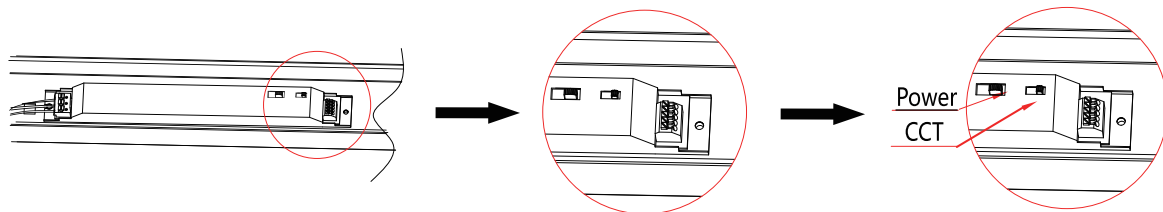
1. Confirm the mounting method of waterproof connector.



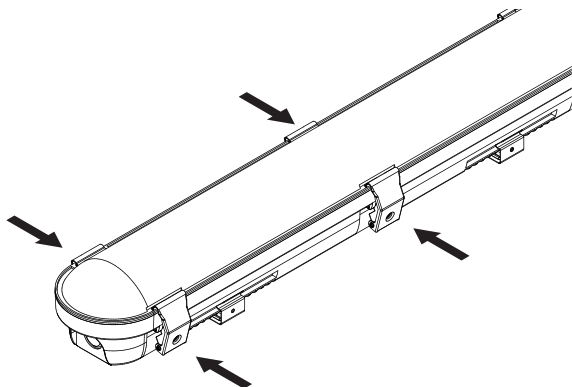
2. Release the lock clips to open fixture cover.



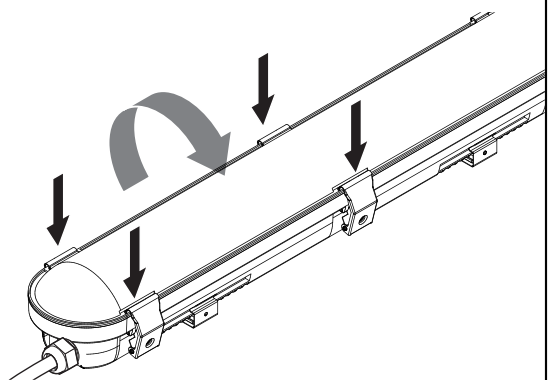
3. CCT&Wattage selectable.



4. Press to fasten all lock clips.

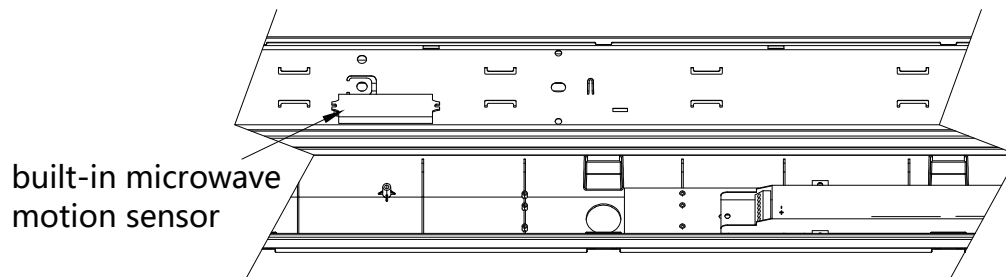


5. Check all clips are fastened properly.

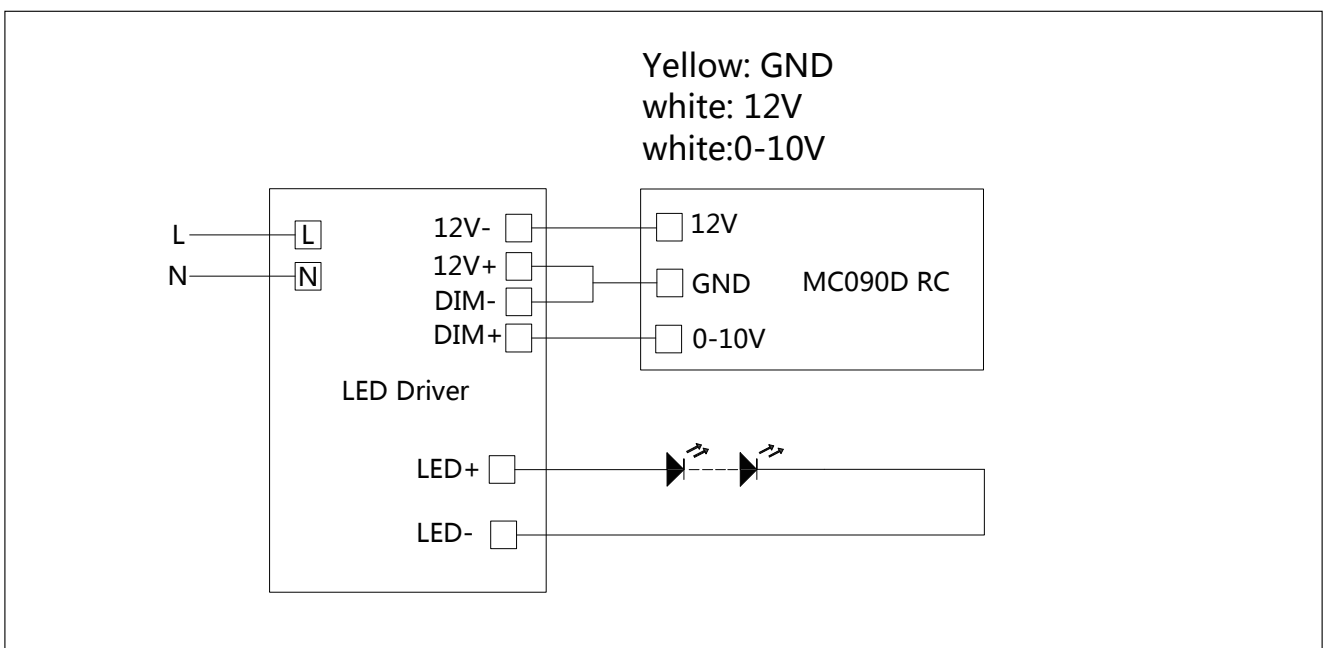


## Microwave Sensors Installation

In order to avoid mutual interference during the operation of motion sensor, the installation distance between lamp and lamp shall not be less than one meter.

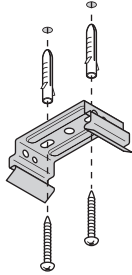


## Wiring diagram

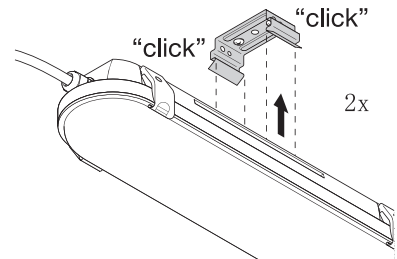


## A. Surface-mounted Installation

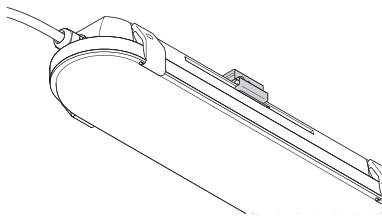
1. Drill holes in the wall, install mounting clips to wall with screws and plastic expansion tubes.



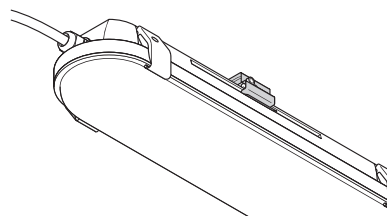
2. Push fixture into mounting clips for fixing.



3. Installed view as bellow figure.



4. Turn on lights after connecting to line voltage.

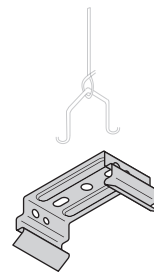


## B. Suspended Installation

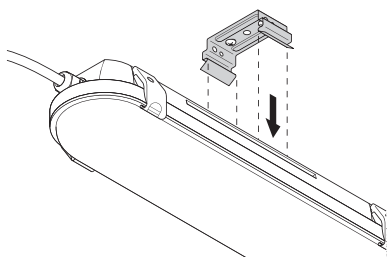
1. Drill hole in the wall, install the fixing base with a screw and a plastic expansion tube.



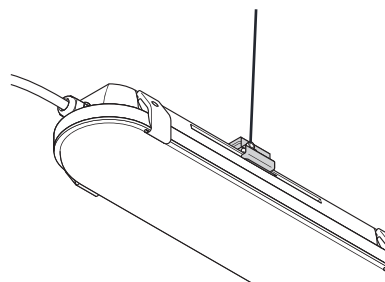
2. Hang the mounting clip to the hook of suspension cable.



3. Push the fixture into mounting clip for fixing.



4. Turn on the lights after installation.








## Applications



## Important

Read this instruction carefully before installation. Keep it for further reference.  
Make electrical and grounded connections in accordance with the national electrical code and any applicable code. Always turn off the power supply before installation.  
This product must be installed in accordance with the applicable installation code by a qualified electrician who is familiar with the construction and operation of the product and the hazards involved.

### WARNING:

-  Risk of fire or electric shock. Fixture installation requires knowledge of luminaires electrical systems. If not qualified, DO NOT attempt installation. Contact a qualified electrician.
-  Risk of fire or electric shock. Suitable for wet locations. Always turn off the power supply before installation.
-  Risk of fire or electric shock. Suitable for non-insulated surface and frame. DO NOT cover fixture with insulation liner or similar material.
-  DO NOT install fixture on unstable, loose or easily breakable surface.
-  DO NOT exert force on the surface of the fixture.

## Packing /Weight

Model	Inner box (L*W*H)	Qty/Ctn(pcs)	Outer box (L*W*H)	N.W/pcs(lbs/Kg)	G.W/Ctn (lbs/Kg)
TS-TPL5-4FT	1260 x 102 x 90mm 49.61" x 4.02" x 3.54"	8	1280 x 380 x 230mm 50.39" x 14.96" x 9.06"	5.07/2.3	25.79/11.7



## Note

- 1.The installation and maintenance must be completed by electricians or professionals.
- 2.Please cut off the power before installation and maintenance.
- 3.The thermally insulating material is not allowed to cover the fixture.
- 4.Please keep away from the corrosive substance, and keep the fixture dry and clean.
- 5.Working temperature: -4°F~113°F, storage temperature: -22°F~140°F.