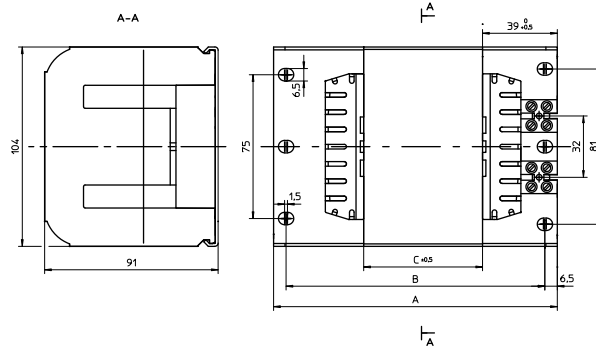
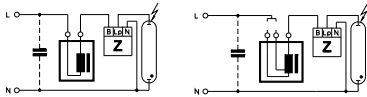


## Ballasts for HS and HI Lamps 250 to 1000 W

Shape: 91x104 mm

For high pressure sodium lamps (HS), metal halide lamps (HI) and ceramic discharge lamps (C-HI)  
Vacuum-impregnated with polyester resin  
Screw terminals: 0.75–2.5 mm<sup>2</sup>  
Protection class I  
tw 130



Lamp			Ballast										Capacitor	
Output W	Type	Current A	Type	Ref. No.	Voltage AC V, Hz	a mm	b mm	c mm	Weight kg	Δt K	Power factor λ	Energy efficiency	C <sub>p</sub> μF	I <sub>N</sub> A
250	HS, HI	3.00	NaHJ 250.727*	<b>571042</b>	230, 50	133	120	42	3.30	75	0.39	EEl=A3	32	1.26
			NaHJ 250.727	<b>571049</b>	240, 50	133	120	42	3.40	75	0.39	EEl=A3	32	1.21
400	HS, HI	4.45	NaHJ 400.006	<b>571044</b>	220, 50	148	135	62	4.57	75	0.44	<b>A2</b>	45	2.00
			NaHJ 400.006	<b>571047</b>	230, 50	148	135	62	4.57	80	0.44	<b>A2</b>	45	1.95
			NaHJ 400.737	<b>571054</b>	230/240, 50	148	135	62	4.7	75	0.45	<b>A2</b>	45	2.00/1.95
			NaHJ 400.737	<b>571050</b>	240, 50	148	135	62	4.61	80	0.43	<b>A2</b>	45	1.90
			NaHJ 400.012	<b>571057</b>	220, 60	148	135	68	4.45	75	0.44	<b>A2</b>	40	2.00
600	HS	6.20	NaH 600.010	<b>571045</b>	220, 50	173	160	96	6.78	75	0.44	<b>A2</b>	65	2.90
			NaH 600.005	<b>571055</b>	230/240, 50	173	160	96	6.89	75	0.44	<b>A2</b>	65	2.90/2.85
			NaH 600.140	<b>571058</b>	220, 60	173	160	96	6.79	75	0.46	<b>A2</b>	55	3.00
1000	HS	10.30	NaHJ 1000.089	<b>571043</b>	220, 50	248	235	160	11.31	75	0.47	<b>A2</b>	100	5.1
	HI	9.50							75	0.51	<b>A2</b>	85	5.0	
	HS	10.30	NaHJ 1000.089	<b>571046</b>	230, 50	248	235	160	11.4	75	0.45	<b>A2</b>	100	5.1
	HI	9.50							75	0.49	<b>A2</b>	85	5.0	
	HS	10.30	NaHJ 1000.089	<b>571051</b>	230/240, 50	248	235	160	11.57	75	0.45	<b>A2</b>	100	5.1
	HI	9.50							75	0.46	<b>A2</b>	85	5.0	
	HS	10.30	NaHJ 1000.089	<b>571048</b>	240, 50	248	235	160	11.45	75	0.42	<b>A2</b>	100	4.8
	HI	9.50							75	0.46	<b>A2</b>	85	4.9	
	HS	10.30	NaHJ 1000.089	<b>571056</b>	220, 60	248	235	160	11.13	75	0.46	<b>A2</b>	100	5.1
	HI	9.50							75	0.50	<b>A2</b>	85	5.0	

\* Ballasts without CE marking for replacements or markets outside of the EU

## With Thermal Cut-out

Thermal cut-out with automatic reset

Lamp			Ballast										Capacitor	
Output W	Type	Current A	Type	Ref. No.	Voltage AC V, Hz	a mm	b mm	c mm	Weight kg	Δt K	Power factor λ	Energy efficiency	C <sub>p</sub> μF	I <sub>N</sub> A
250	HS, HI	3.00	NaHJ 250.727*	<b>571052</b>	230/240, 50	133	120	42	3.40	75	0.39	EEl=A3	32	1.26/1.21
400	HS, HI	4.45	NaHJ 400.737	<b>571053</b>	230/240, 50	148	135	62	4.7	75	0.43	<b>A2</b>	45	1.95/1.90

\* Ballasts without CE marking for replacements or markets outside of the EU