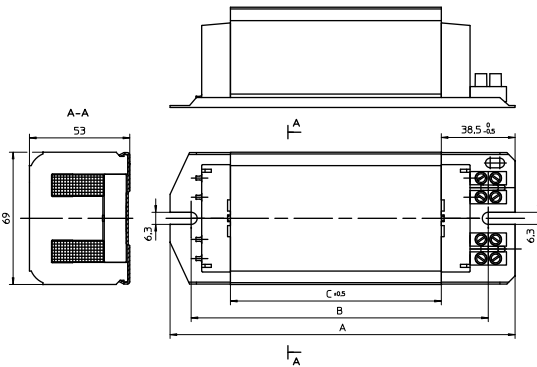
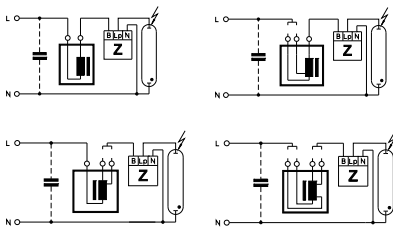


## Standard Ballasts for HS and HI Lamps 35 to 250 W

Shape: 53x69 mm

For high pressure sodium lamps (HS),  
metal halide lamps (HI) and  
ceramic discharge lamps (C-HI)  
Vacuum-impregnated with polyester resin  
Screw terminals: 0.5–2.5 mm<sup>2</sup>  
Protection class I  
tw 130

Ballasts for pulse ignition system on request



Lamp			Ballast										Capacitor	
Output W	Type	Current A	Type	Ref. No.	Voltage AC V, Hz	a mm	b mm	c mm	Weight kg	Δt K	Power factor λ	Energy efficiency	C <sub>P</sub> μF	I <sub>N</sub> A
35	HS, HI	0.53	NaHJ 35.485*	<b>571074</b>	230/240, 50	112	86	31	0.98	60	0.40	EEI=A3	6	0.22/0.21
			NaHJ 35.638	<b>570961</b>	220, 60	112	86	31	0.98	50	0.41	EEI=A3	5	0.23
50	HS, HI	0.76	NaHJ 50.486*	<b>571077</b>	230/240, 50	112	86	36	1.07	65	0.37	EEI=A3	8	0.30/0.29
			NaHJ 50.654	<b>570958</b>	220, 60	112	86	31	1.00	60	0.36	EEI=A3	8	0.31
70	HS, HI	0.98	NaHJ 70.300	<b>570977</b>	220, 50	112	86	36	1.12	75	0.40	EEI=A3	12	0.40
			NaHJ 70.128*	<b>571008</b>	230, 50	112	86	36	1.12	75	0.36	EEI=A3	12	0.38
			NaHJ 70.128*	<b>571022</b>	230/240, 50	112	86	36	1.15	75	0.36	EEI=A3	12	0.38/0.37
			NaHJ 70.128	<b>571018</b>	240, 50	112	86	36	1.15	75	0.37	EEI=A3	12	0.37
			NaHJ 70.653	<b>570962</b>	220, 60	112	86	36	1.05	75	0.42	EEI=A3	10	0.40
100	HS, HI	1.20	NaHJ 100.126	<b>570997</b>	220, 50	112	86	36	1.12	75	0.44	EEI=A3	12	0.55
			NaHJ 100.941*	<b>570964</b>	230/240, 50	112	86	36	1.15	75	0.42	EEI=A3	12	0.55/0.53
150	HS, HI	1.80	NaHJ 150.159	<b>571004</b>	220, 50	145	120	64	1.78	75	0.41	EEI=A3	20	0.80
			NaHJ 150.620*	<b>571013</b>	230, 50	145	120	64	1.83	75	0.40	EEI=A3	20	0.77
			NaHJ 150.620	<b>571019</b>	240, 50	145	120	64	1.85	75	0.40	EEI=A3	20	0.74
			NaHJ 150.679	<b>570999</b>	220, 60	145	120	64	1.72	75	0.44	EEI=A3	16	0.80
250	HS, HI	3.00	NaHJ 250.204	<b>571006</b>	220, 50	180	155	94	2.98	75	0.42	EEI=A3	32	1.32
			NaHJ 250.915*	<b>570963</b>	230, 50	180	155	110	2.95	80	0.40	EEI=A3	32	1.26
			NaHJ 250.340*	<b>570982</b>	230/240, 50	180	155	110	3.10	75	0.39	EEI=A3	32	1.26/1.21
			NaHJ 250.340	<b>570978</b>	240, 50	180	155	110	3.10	80	0.39	EEI=A3	32	1.21
			NaHJ 250.163	<b>571249</b>	220, 60	180	155	94	2.50	70	0.42	<b>A2</b>	25	1.35

\* Ballasts without CE marking for replacements or markets outside of the EU