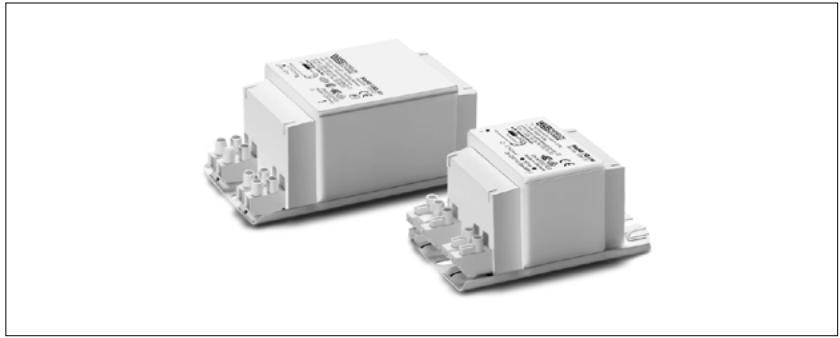
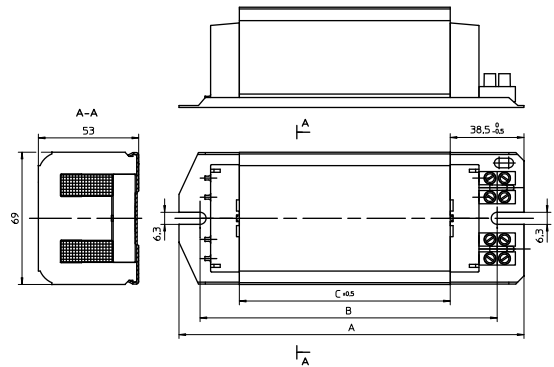
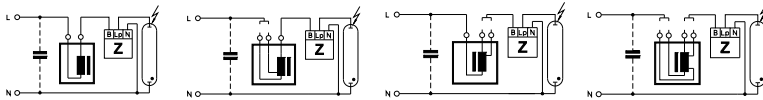


## Ballasts with Thermal Cut-out for HS and HI Lamps 35 to 250 W



Shape: 53x69 mm

For high pressure sodium lamps (HS),  
metal halide lamps (HI) and  
ceramic discharge lamps (C-HI)  
Vacuum-impregnated with polyester resin  
With temperature switch with automatic reset  
Protection class I  
tw 130



Lamp			Ballast										Capacitor	
Output W	Type	Current A	Type	Ref. No.	Voltage AC V, Hz	a mm	b mm	c mm	Weight kg	Δt K	Power factor (λ)	Energy efficiency	Cp μF	In A
<b>Push-in terminals: 0.5–1.5 mm<sup>2</sup></b>														
35	HS, HI	0.53	NaHj 35.209	<b>571076</b>	230/240, 50	112	86	36	1.10	35	0.36	<b>A2</b>	6	0.22
			NaHj 35.485*	<b>571075</b>	230/240, 50	112	86	36	1.07	60	0.40	EEl=A3	6	0.22/0.21
50	HS, HI	0.76	NaHj 70/50.157*	<b>571081</b>	230, 50	112	86	42	1.23	55	0.37	EEl=A3	8	0.30
70	HS, HI	0.98			70					70	0.37	EEl=A3	12	0.38
70	HS, HI	0.98	NaHj 70.128*	<b>571009</b>	230, 50	112	86	36	1.12	75	0.36	EEl=A3	12	0.38
			NaHj 70.226	<b>571011</b>	230, 50	112	86	41	1.28	60	0.37	<b>A2</b>	12	0.38
			NaHj 70.158*	<b>570995</b>	230/240, 50	112	86	36	1.15	70	0.36	EEl=A3	12	0.38/0.37
150	HS, HI	1.80	NaHj 150.995*	<b>570994</b>	230/240, 50	145	120	64	1.84	75	0.40	EEl=A3	20	0.77/0.74
<b>Screw terminals: 0.5–2.5 mm<sup>2</sup></b>														
50	HS, HI	0.76	NaH 50.486*	<b>571078</b>	230/240, 50	112	86	36	1.07	65	0.37	EEl=A3	8	0.30
50	HS, HI	0.76	NaHj 70/50.695*	<b>571085</b>	230/240, 50	112	86	48	1.23	50	0.37	EEl=A3	8	0.30/0.29
70	HS, HI	0.98			70					70	0.37	EEl=A3	12	0.38/0.37
70	HS, HI	0.98	NaHj 70.226	<b>571012</b>	230, 50	112	86	41	1.28	60	0.37	<b>A2</b>	12	0.38
			NaHj 70.128*	<b>571010</b>	230, 50	112	86	36	1.12	75	0.36	EEl=A3	12	0.38
			NaHj 70.158*	<b>570975</b>	230/240, 50	112	86	36	1.15	70	0.36	EEl=A3	12	0.38/0.37
			NaHj 70.128*	<b>571020</b>	230/240, 50	112	86	36	1.15	70	0.36	EEl=A3	12	0.38/0.37
100	HS, HI	1.20	NaHj 100.213	<b>571031</b>	230/240, 50	112	86	45	1.38	65	0.41	<b>A2</b>	12	0.55/0.53
			NaHj 100.941*	<b>571028</b>	230, 50	112	86	36	1.14	75	0.42	EEl=A3	12	0.55
			NaHj 100.941*	<b>570980</b>	230/240, 50	112	86	36	1.15	75	0.42	EEl=A3	12	0.55/0.53
100	HS, HI	1.20	NaHj 150/100.973*	<b>571244</b>	230, 50	145	120	75	2.02	55	0.41	<b>A2</b>	12	0.55
150	HS, HI	1.80			75					75	0.41	EEl=A3	20	0.77
150	HS, HI	1.80	NaHj 150.166	<b>571025</b>	230/240, 50	180	155	110	3.08	50	0.40	<b>A2</b>	20	0.77/0.74
			NaHj 150.620*	<b>571015</b>	230, 50	145	120	64	1.83	75	0.40	EEl=A3	20	0.77
			NaHj 150.995*	<b>570974</b>	230/240, 50	145	120	64	1.84	75	0.40	EEl=A3	20	0.77/0.74
			NaHj 150.620*	<b>571023</b>	230/240, 50	145	120	64	1.84	75	0.40	EEl=A3	20	0.77/0.74
250	HS, HI	3.00	NaHj 250.915*	<b>570993</b>	230, 50	180	155	110	2.95	80	0.40	EEl=A3	32	1.26

\* Ballasts without CE marking for replacements or markets outside of the EU

The values contained in this data sheet can change due to technical innovations. Any such changes will be made without separate notification.