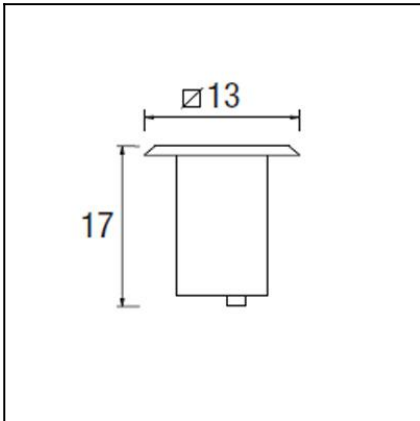


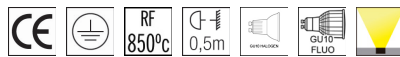


The photograph may not match the reference exactly. Please read the product description to identify the finish.



TECHNICAL CHARACTERISTICS

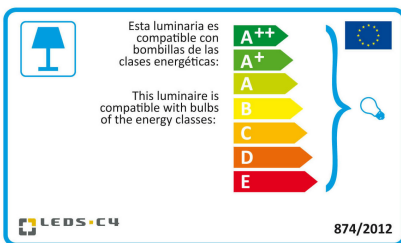
Type:	UPLIGHT RECESSED
IP Protection degrees:	IP67
IK Protection degrees:	IK10
Light source 1:	1 x GU10 MAX 50W Maximum lamp length: 80.00 mm
Voltage / Frequency:	230V/50-60Hz
Warranty (Years):	2
Units per box:	8
Net Weight (Kg):	0.715
EAN:	8435111053539



MATERIALS / FINISHES

Structure material:	Stainless steel AISI304 Technopolymer	Diffuser material:	Glass
Structure finish:	Polished	Diffuser finish:	Tempered

Download photometric file .ldt / .ies



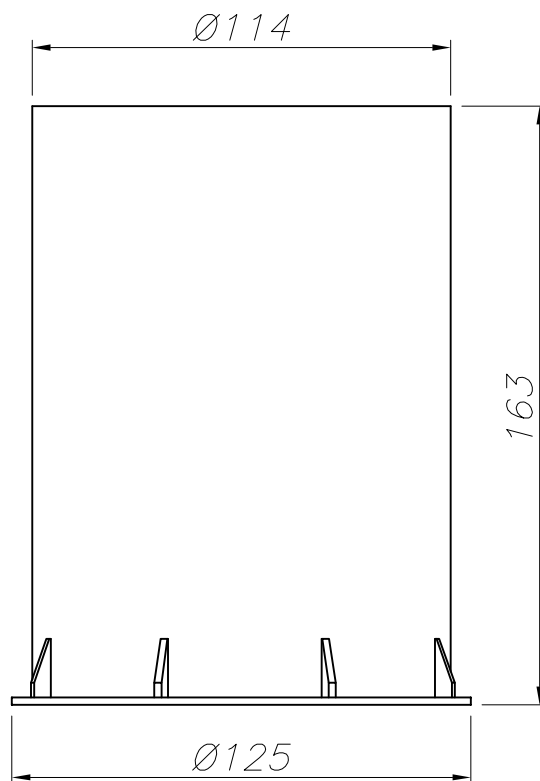
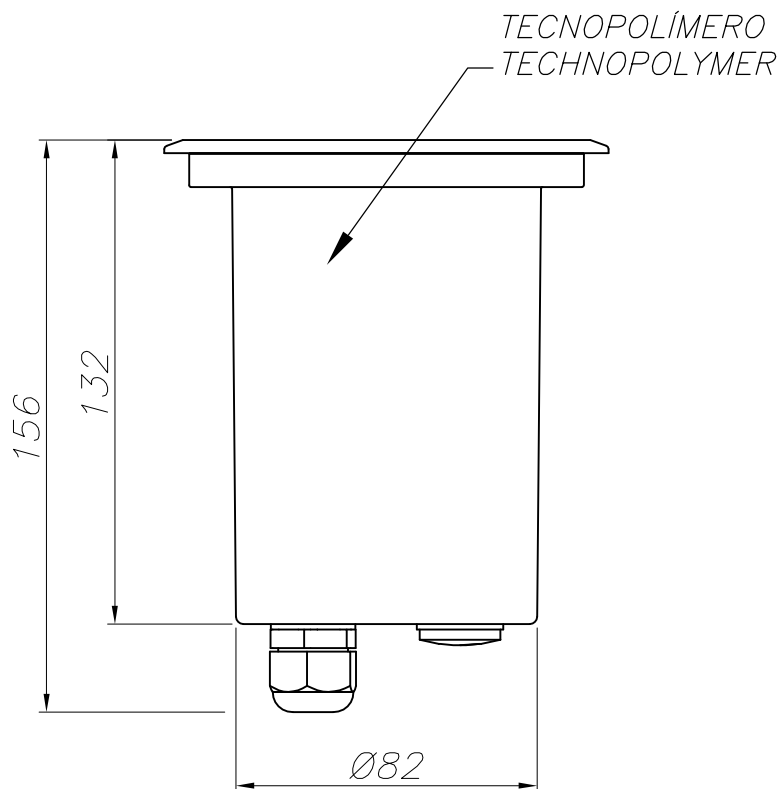
Click on image to download energy label

71-9449-CA-CA

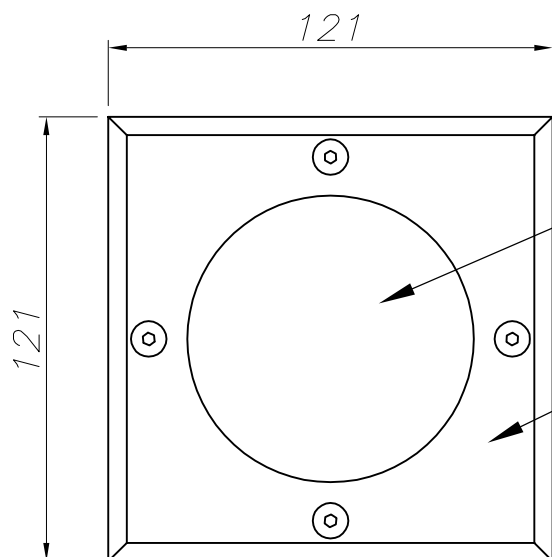


Structure material: Stainless steel AISI316

Structure finish: Polished



CAJA DE EMPOTRAR
FLUSH FITTING BOX



CRISTAL TEMPLADO TRANSPARENTE
TRANSPARENT TEMPERED GLASS

ACERO INOXIDABLE AISI 304
STAINLESS STEEL AISI 304

