

CZ1361 / 1362



描述:

防爆(应急)LED条形灯壳体由碳钢或304/316L不锈钢成型,透明罩采用钢化玻璃,其稳定性及机械强度高,具有良好的防护能力。壳体与透明罩间设有防护密封圈,灯具设有机械连锁压紧装置和自动断电功能。打开玻璃罩时,自动切断正常照明和应急电源;闭合时,锁紧密封和自动送电。在100-250V AC、50/60Hz线路中作照明之用。

- 内部配置独立认证的防爆电源模块、防爆逆变模块,带有恒流输出和过温保护功能。
- LED光源模块采用了最新的高光效LED颗粒,配光与显色性能优异。
- 应急型设有故障信号指示、充电信号指示、放电信号指示。
- 防爆(应急)LED条形灯安装附件可选:可调式支架和嵌入式支架。
- 防护等级高达IP66。
- IECEx 国际认证, ATEX 欧洲认证。

Descriptions:

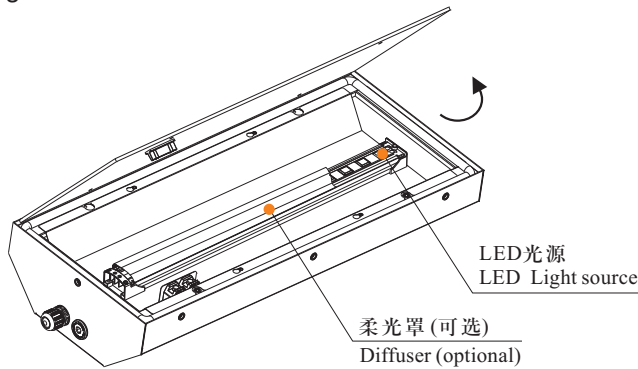
Explosion-proof (emergency) LED linear light fittings manufactured by carbon steel, stainless steel 304/316L and the transparent parts are manufactured by toughened glass. They have good protection ability due to its high stability and mechanical strength. There are sealing gaskets between the enclosure and transparent parts. The lights have functions of interlocking compaction device and automatic power off. They will be automatically power off when open the glass cover and be energized to work when closed. They can be working in circuit of 100-250V, 50/60Hz.

- The separately certified explosion-proof power supply module and explosion-proof inverter module inside have the function of constant current output and over temperature protection.
- With the latest high-efficient LED chips, LED light source module has excellent luminous intensity and color rendering performance.
- Emergency ones have indicators of fault, charging and discharging.
- Mounting accessories available in adjustable brackets and inserting brackets.
- Degree of protection up to IP66.
- IECEx and ATEX certified.

1 区和 2 区 Zone 1 and zone 2

21 区和 22 区 Zone 21 and zone 22

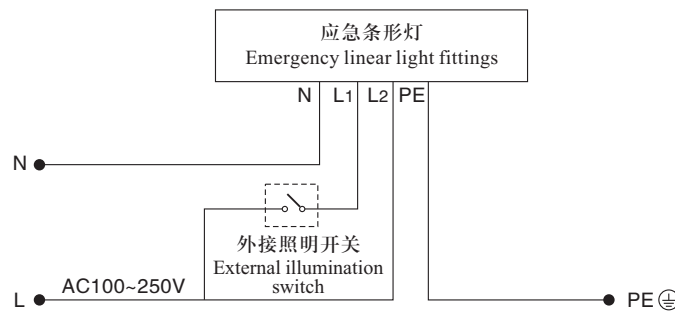
示意图 Diagram:



灯具设有机械联锁压紧装置和自动断电功能。
打开玻璃罩时，自动切断正常照明和应急电源；
闭合时，锁紧密封和自动送电。

The light fittings have functions such as mechanical interlocking compaction device and automatic power off, which the power of normal illumination and emergency illumination can be switched off when the mechanical interlocking device is unlocked by glass cover, and contrariwise, the mechanical interlocking can be locked up to be closed and power would be automatically switched on when the mechanical interlocking device is locked by such glass cover.

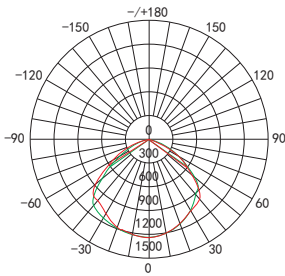
应急灯具安装线路图 Mounting circuit diagram for emergency light fittings:



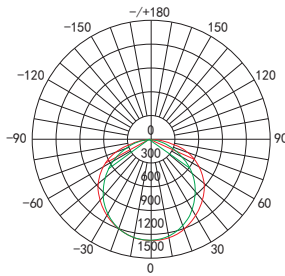
配光曲线 Luminous intensity distribution curve: — C0/180 — C90/270

光强单位 luminous intensity unit: Cd

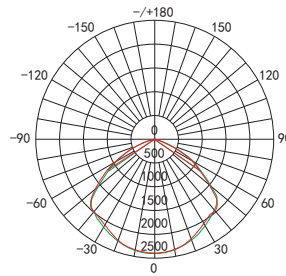
CZ1361、CZ1362 防爆LED条形灯 Explosion-proof LED linear light fittings



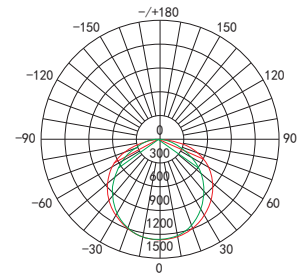
CZ1361/□-1 LED30W1
无柔光罩 Without diffuser



CZ1361/□-1 LED30W2
有柔光罩 With diffuser

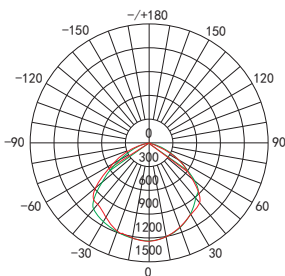


CZ1362/□-2 LED30W1
无柔光罩 Without diffuser

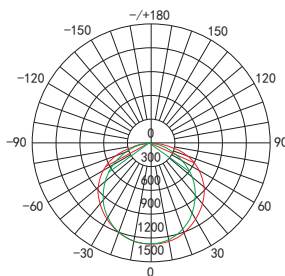


CZ1362/□-2 LED30W2
有柔光罩 With diffuser

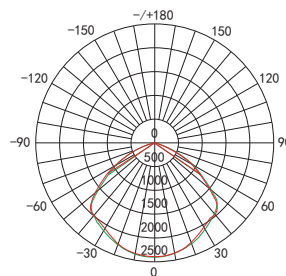
CZ1361、CZ1362 防爆应急LED条形灯 Explosion-proof emergency LED linear light fittings



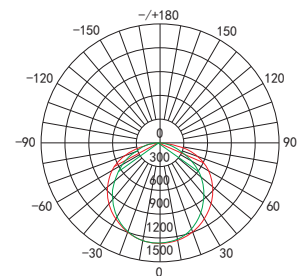
CZ1361/□-1 LED30W1-YJ
无柔光罩 Without diffuser
正常照明 Normal illumination



CZ1361/□-1 LED30W2-YJ
有柔光罩 With diffuser
正常照明 Normal illumination



CZ1362/□-2 LED30W1-YJ
无柔光罩 Without diffuser
正常照明 Normal illumination



CZ1362/□-2 LED30W2-YJ
有柔光罩 With diffuser
正常照明 Normal illumination

主要数据 Main technical data:

认证 Certification	防爆标志 Ex mark	符合标准 Meet the standard
China: CE 17.5006X	Ex d e mb q II C T5/T4 Gb Ex tD A21 IP66 T80°C (产品带行程开关 Product with isolation switch)	GB3836 GB12476
IECEX: IECEX CML 16.0116X	Ex db eb mb op is q II C T5/T4 Gb Ex tb op is III C T80°C Db (产品带行程开关 Product with isolation switch)	IEC60079
ATEX: CML 16ATEX1342X	⊕ II 2 G D Ex db eb mb op is q II C T5/T4 Gb Ex tb op is III C T80°C Db (产品带行程开关 Product with isolation switch)	EN60079

防爆 LED 应急条形灯 Explosion-proof LED emergency linear light fittings

认证 Certification	防爆标志 Ex mark	符合标准 Meet the standard
China: CE 17.5006X	Ex d e mb op is q II C T4 Ex tD A21 IP66 T80°C (产品带行程开关带熔断器 Product with isolation switch and fuse)	GB3836 GB12476
IECEX: IECEX CML 16.0116X	Ex db eb mb op is q II C T4 Gb Ex tb op is III C T80°C Db (产品带行程开关带熔断器 Product with isolation switch and fuse)	IEC60079
ATEX: CML 16ATEX1342X	⊕ II 2 G D Ex db eb mb op is q II C T4 Gb Ex tb op is III C T80°C Db (产品带行程开关带熔断器 Product with isolation switch and fuse)	EN60079

适用范围: 用于 1 区和 2 区, 用于 21 区和 22 区

使用环境温度: T4 at -25°C ≤ Ta ≤ +40°C

T5 at -25°C ≤ Ta ≤ +55°C

防护等级: IP66

额定电压: 100 ~ 250V AC 50/60Hz

色温: 5700K

显色指数: Ra ≥ 80

功率因数: λ > 0.95

 接线端子: L1、L2、L、N、PE, 每个端子 2 1.5-10mm²

电缆入口: 塑制 1 M25 1.5, 电缆外径: Φ8-17mm

塑制 2 M25 1.5 空塞堵头

符合: CE 2460

Intended use: Can be used in zone 1 and zone 2

Can be used in zone 21 and zone 22

Ambient temperature use: T4 at -25°C ≤ Ta ≤ +40°C

T5 at -25°C ≤ Ta ≤ +55°C

Degree of protection: IP66

Rated voltage: 100 ~ 250V AC 50/60Hz

Color temperature: 5700K

Color rendering index: Ra ≥ 80

Power factor: λ > 0.95

 Terminals: L1, L2, L, N, PE, each terminal 2 1.5-10mm²

Cable entry: Moulded plastic 1 M25 1.5 cable gland,

Outside diameter of cable: Φ8-17mm

Moulded plastic 2 M25 1.5 stopping plugs

Conformity to: CE 2460

防爆 LED 应急条形灯

充电时间: 24 h

应急起动时间: 0.1 (S)

应急照明时间: >120 (min)

Explosion-proof LED emergency linear light fittings

Recharging time: 24 h

Emergency starting time: 0.1 (S)

Emergency illuminating time: >120 (min)


电缆引入装置编码 Code of cable gland

编码 Code	规格 Specifications	电缆直径 Cable diameter
B	塑制 1 个 M25 1.5 电缆密封套, 塑制 2 个 M25 1.5 空塞堵头 One moulded plastic M25 1.5 cable gland, two moulded plastic M25 1.5 stopping plugs	Φ8-17mm
C	铜制 1 个 CZ0221/M25 1.5 金属电缆密封套, 塑制 2 个 M25 1.5 空塞堵头 One brass CZ0221/M25 1.5 metal cable gland, two moulded plastic M25 1.5 stopping plugs	Φ8-17mm
D	塑制 2 个 M25 1.5 电缆密封套, 塑制 1 个 M25 1.5 空塞堵头 Two moulded plastic M25 1.5 cable glands, one moulded plastic M25 1.5 stopping plug	Φ8-17mm
E	铜制 2 个 CZ0221/M25 1.5 金属电缆密封套, 塑制 1 个 M25 1.5 空塞堵头 Two brass CZ0221/M25 1.5 metal cable glands, one moulded plastic M25 1.5 stopping plug	Φ8-17mm

防爆LED条形灯订购规格 Order specifications of explosion-proof LED linear light fittings:

外壳材料 Material of enclosure	光源功率 Power of light source	光通量 Luminous flux	电流 Current (Max)	重量 Weight	订购号 Order No.	
碳钢 (表面喷涂白色塑粉) Carbon steel (Surface white plastic powder coated)	1 LED 30W	无柔光罩 Without diffuser	3362 lm	0.16A	8.60kg	CZ1361/23-1 LED30W1-K-B+ <input type="checkbox"/>
		有柔光罩 With diffuser	2650 lm	0.16A	8.70kg	CZ1361/23-1 LED30W2-K-B+ <input type="checkbox"/>
	2 LED 30W	无柔光罩 Without diffuser	6643 lm	0.33A	16.15kg	CZ1362/23-2 LED30W1-K-B+ <input type="checkbox"/>
		有柔光罩 With diffuser	5206 lm	0.33A	16.35kg	CZ1362/23-2 LED30W2-K-B+ <input type="checkbox"/>
304 不锈钢 (表面拉丝处理) 304 stainless steel (Surface brushed treatment)	1 LED 30W	无柔光罩 Without diffuser	3362 lm	0.16A	8.28kg	CZ1361/40-1 LED30W1-K-B+ <input type="checkbox"/>
		有柔光罩 With diffuser	2650 lm	0.16A	8.38kg	CZ1361/40-1 LED30W2-K-B+ <input type="checkbox"/>
	2 LED 30W	无柔光罩 Without diffuser	6643 lm	0.33A	15.40kg	CZ1362/40-2 LED30W1-K-B+ <input type="checkbox"/>
		有柔光罩 With diffuser	5206 lm	0.33A	15.60kg	CZ1362/40-2 LED30W2-K-B+ <input type="checkbox"/>
316L 不锈钢 (表面拉丝处理) 316L stainless steel (Surface brushed treatment)	1 LED 30W	无柔光罩 Without diffuser	3362 lm	0.16A	8.28kg	CZ1361/60-1 LED30W1-K-B+ <input type="checkbox"/>
		有柔光罩 With diffuser	2650 lm	0.16A	8.38kg	CZ1361/60-1 LED30W2-K-B+ <input type="checkbox"/>
	2 LED 30W	无柔光罩 Without diffuser	6643 lm	0.33A	15.40kg	CZ1362/60-2 LED30W1-K-B+ <input type="checkbox"/>
		有柔光罩 With diffuser	5206 lm	0.33A	15.60kg	CZ1362/60-2 LED30W2-K-B+ <input type="checkbox"/>

防爆应急LED条形灯订购规格 Order specifications of explosion-proof emergency LED linear light fittings:

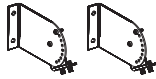
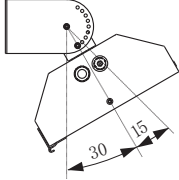
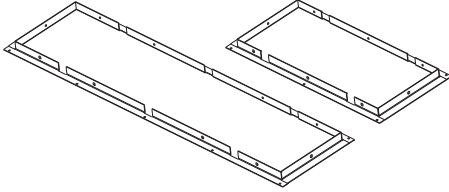
外壳材料 Material of enclosure	光源功率 Power of light source	光通量 Luminous flux		电流 Current (Max)	重量 Weight	订购号 Order No.	
		正常照明 Normal illumination	应急照明 Emergency illumination				
碳钢 (表面喷涂白色塑粉) Carbon steel (Surface white plastic powder coated)	1 LED 30W	无柔光罩 Without diffuser	3282 lm	985 lm	0.16A	9.52kg	CZ1361/23-1 LED30W1-YJ-FK-B+ <input type="checkbox"/>
		有柔光罩 With diffuser	2610 lm	671 lm	0.16A	9.62kg	CZ1361/23-1 LED30W2-YJ-FK-B+ <input type="checkbox"/>
	2 LED 30W	无柔光罩 Without diffuser	6461 lm	1938 lm	0.33A	17.30kg	CZ1362/23-2 LED30W1-YJ-FK-B+ <input type="checkbox"/>
		有柔光罩 With diffuser	5399 lm	1367 lm	0.33A	17.50kg	CZ1362/23-2 LED30W2-YJ-FK-B+ <input type="checkbox"/>
304 不锈钢 (表面拉丝处理) 304 stainless steel (Surface brushed treatment)	1 LED 30W	无柔光罩 Without diffuser	3282 lm	985 lm	0.16A	9.20kg	CZ1361/40-1 LED30W1-YJ-FK-B+ <input type="checkbox"/>
		有柔光罩 With diffuser	2610 lm	671 lm	0.16A	9.30kg	CZ1361/40-1 LED30W2-YJ-FK-B+ <input type="checkbox"/>
	2 LED 30W	无柔光罩 Without diffuser	6461 lm	1938 lm	0.33A	16.55kg	CZ1362/40-2 LED30W1-YJ-FK-B+ <input type="checkbox"/>
		有柔光罩 With diffuser	5399 lm	1367 lm	0.33A	16.75kg	CZ1362/40-2 LED30W2-YJ-FK-B+ <input type="checkbox"/>
316L 不锈钢 (表面拉丝处理) 316L stainless steel (Surface brushed treatment)	1 LED 30W	无柔光罩 Without diffuser	3282 lm	985 lm	0.16A	9.20kg	CZ1361/60-1 LED30W1-YJ-FK-B+ <input type="checkbox"/>
		有柔光罩 With diffuser	2610 lm	671 lm	0.16A	9.30kg	CZ1361/60-1 LED30W2-YJ-FK-B+ <input type="checkbox"/>
	2 LED 30W	无柔光罩 Without diffuser	6461 lm	1938 lm	0.33A	16.55kg	CZ1362/60-2 LED30W1-YJ-FK-B+ <input type="checkbox"/>
		有柔光罩 With diffuser	5399 lm	1367 lm	0.33A	16.75kg	CZ1362/60-2 LED30W2-YJ-FK-B+ <input type="checkbox"/>

其它电缆引入装置编码详见 55 页 Code of cable gland see page 55

安装附件订购号 (不配不注) 见 57 页

Order No. of mounting accessories (No matching not noted), see page 57

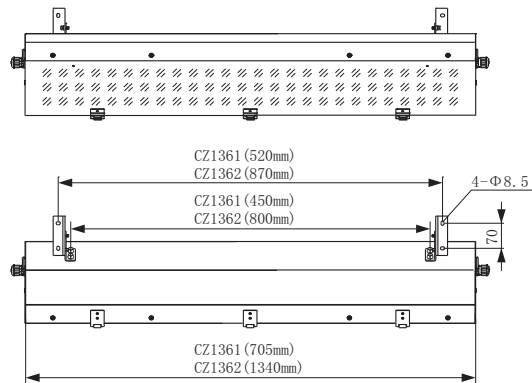
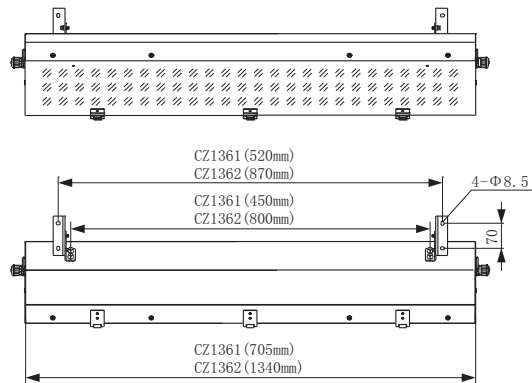
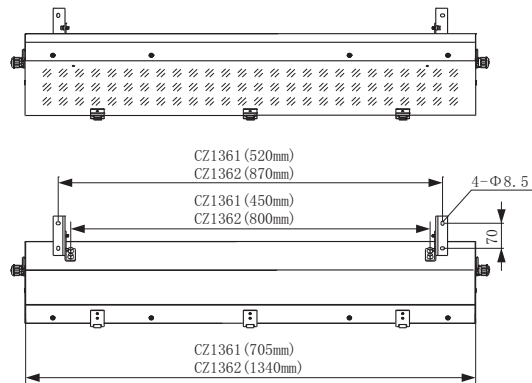
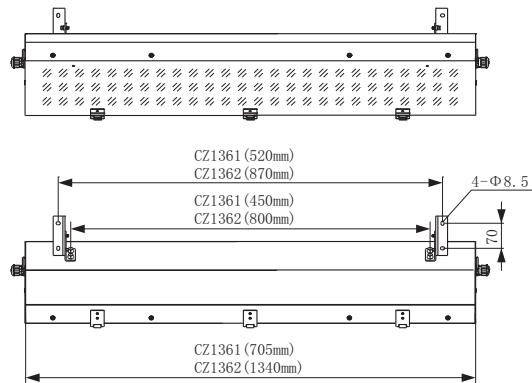
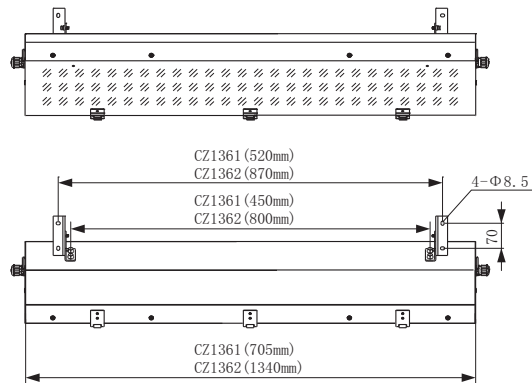
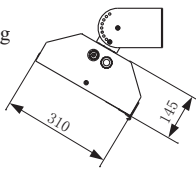
安装附件 Accessories of mounting:

图样 Illustration	描述 Descriptions	单位 Unit	订购号 Order No.
可调安装支架 Adjustable mounting bracket 		套Set	D8738
嵌入式安装支架 Recessed type mounting bracket 	用于1 LED 30W条形灯 Used for 1 LED 30W linear light fittings	碳钢 Carbon steel	套Set D8743/123
		304 不锈钢 304 Stainless steel	套Set D8743/140
	316L 不锈钢 316L Stainless steel	套Set D8743/160	
	用于2 LED 30W条形灯 Used for 2 LED 30W linear light fittings	碳钢 Carbon steel	套Set D8743/223
		304 不锈钢 304 Stainless steel	套Set D8743/240
		316L 不锈钢 316L Stainless steel	套Set D8743/260

外形尺寸 Outline dimensions: 单位 Unit: mm

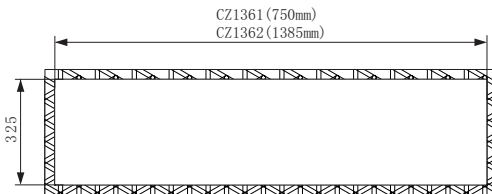
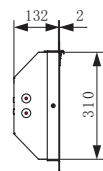
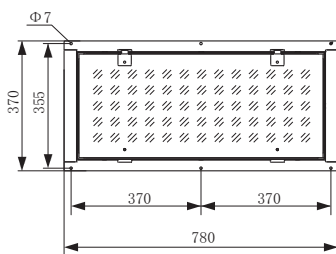
可调式安装
Adjustable mounting

Adjustable mounting



嵌入式安装
Recessed type mounting

Recessed type mounting



开孔尺寸 Aperture dimensions

