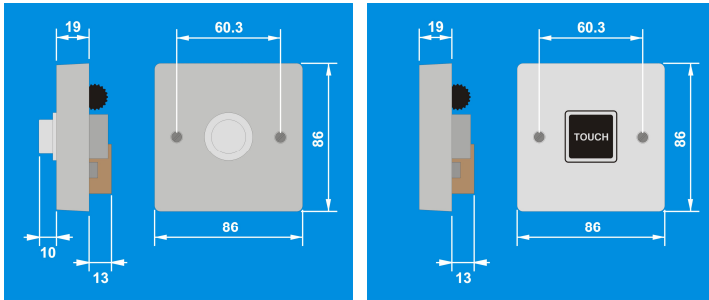


# PRODUCT DATA AND INSTALLATION SHEET

## 490-201 AND 279-8484 MULTI-RANGE TIME DELAY SWITCHES



**490-201**  
Push button activation with optional external trigger

**279-8484**  
Touch activation with optional external trigger

### DESCRIPTION AND OPERATION

These time delay switches are designed to provide timed control of lighting, heating or ventilation loads. Using push button or touch (light press required), the user can switch on a load for a preset time period and have the load turn off automatically after the time period has elapsed.

Multiple timing ranges come as standard to allow the time out period to be set accurately. Time setting is achieved using switches and a thumb-wheel at the rear of the unit.

Several modes of operation are selectable using switches:

- On/off: triggering the timer will turn on the load and start the timing. Triggering the timer again during timing will immediately turn off the load and stop the timing.
- Resetting: triggering the timer will turn on the load and start the timing. Triggering the timer again during timing will re-start the timing period from scratch. When using an external trigger in this mode, the timer will not start until the trigger is removed making it ideal for pump or fan overrun applications.
- Non-resetting: triggering the time will turn on the load and start the timing. Triggering the timer again during timing will have no affect.

### WIRING

Wire the timers as in diagram 1. Connection to the *TRIG* terminal is optional.

Applying a live to the trigger terminal will start the timer running. A momentary switch can be used, for example, in corridor lighting applications. A permanent input can be used, for example, in pump overrun applications.

To switch from more than one position simply wire two or more units in parallel to achieve two way and intermediate switching, or use the trigger terminal with a slave switch.

For lighting applications that call for the replacement of a three wire switching system follow diagram 2.

When installing touch switches do not fix to a vibrating or uneven surface.

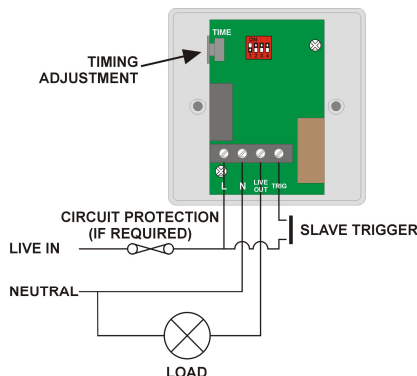


Diagram 1 Standard Wiring

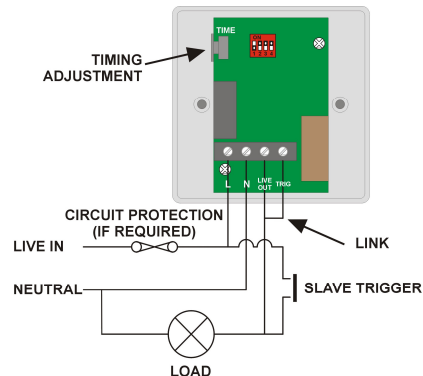


Diagram 2 Wiring for three wire switching

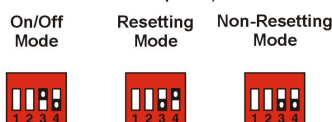
## INSTALLATION

**Warning.** This device works at mains potential. Be sure to take care when working with electricity.

1. Make sure the load is connected and in working order.
2. Isolate the mains supply to the circuit at the main consumer unit.
3. Connect the controller via the terminal block. Live supply to the *L* terminal, Neutral to the *N* terminal and the load to the *LIVE OUT* terminal. Where required connect the external trigger to the *TRIG* terminal.
4. Set the timing range according to the diagram below. Set the thumbwheel to the time setting (anticlockwise is minimum, clockwise is maximum).



5. Set the function according to the diagram below (see above for description).



6. Screw the unit to the wall and switch the mains supply back on at the distribution board.

## FAULT FINDING

### LOAD DOES NOT COME ON

Check to see if the live supply to the circuit is good. Strap across the *L* and *LIVE OUT* terminal to check.

### LOAD DOES NOT GO OFF

Check that the time setting is correct.

When using external triggers, ensure that live is removed from the trigger terminal to enable the timer to start (for resetting mode only).

## SPECIFICATION

### LOAD

16 Amp resistive load  
10 Amp incandescent lighting  
6 Amp fluorescent lighting  
3 Amp compact fluorescent lighting  
3 Amp low energy lighting  
3 Amp low voltage lighting (switch primary of transformer)  
Fluorescent lighting (max 6 fittings recommended)  
For fluorescent lighting total power factor correction capacitance must not exceed 40µF  
3 Amp fans and ventilation equipment  
Switch SON lighting loads via a contactor

**SUPPLY VOLTAGE** 220-240 Volts AC 50 Hz

**TIMING PERIOD** Adjustable 1 second to 2 hours in ranges

**FIXING METHOD** Surface fixing 25mm deep plastic surface mount moulded box.  
Flush fixing 25mm steel wall box or 32mm deep cavity wall box.

**TERMINAL CAPACITY** 4.0mm<sup>2</sup>

**MATERIAL** Flame retardant ABS

**TYPE** Class 2

**TEMPERATURE** -10°C to 35°C

**CONFORMITY** EMC-89/336/EEC

LVD-73/23/EEC



## PART NUMBERS

490-201 Push button activated multi-range timer  
279-8484 Touch activated multi-range timer

### IMPORTANT NOTICE!

This device should be installed by a qualified electrician in accordance with the latest edition of the IEE wiring regulations.

Due to our policy of continual product improvement CP Electronics reserves the right to alter the specification of this product without prior notice.