



MASTERLine 111 60W G53 12V 45D 1CT

Product family description
Low-voltage halogen reflector lamp with double-ended burner and high-purity aluminium reflector

Product Features

- Unique infra-red coated burner technology
- Revolutionary compact, precision burner for maximum performance of the infra-red reflecting coating
- Ceramic filament shield reduces glare and improves beam shape
- Flat profile, very tight beam pattern and excellent glare control
- G53 socket and screw or tab terminals for direct wire connection with mating eyelet or receptacle
- UV block quartz glass

Product Benefits

- Glare free, well defined accent lighting with minimum amount of direct glare from the lamp
- Up to 40% lower energy costs compared to the Pro or equivalent versions of this lamp, thanks to improved burner efficacy (lm/W)
- Increased comfort and (where applicable) lower cooling costs because of up to 40% lower heat transmission
- Low maintenance costs due to increased lifetime (33% higher than Pro or equivalent versions)
- Lowest UV output compared to other versions of this lamps, reducing fading risks to absolute minimum

Application

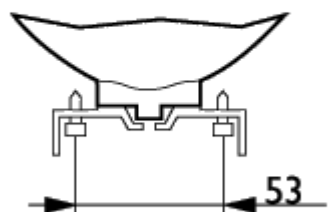
- Excellent light source for general lighting and especially creative accent lighting in shops, restaurants, hotels, and especially for galleries, exhibitions and museums

Product data	
Order code	411136 10
Full product code	871150041113610
locod	
Full product name	MASTERLine 111 60W G53 12V 45D 1CT
Order product name	MASTERLine 111 60W G53 12V 45D 1CT/6
Packing type	1 Lamp in a Folding Carton
Pieces per pack	1
Packing configuration	6
Packs per outerbox	6
Bar code on pack - EAN1	8711500411136

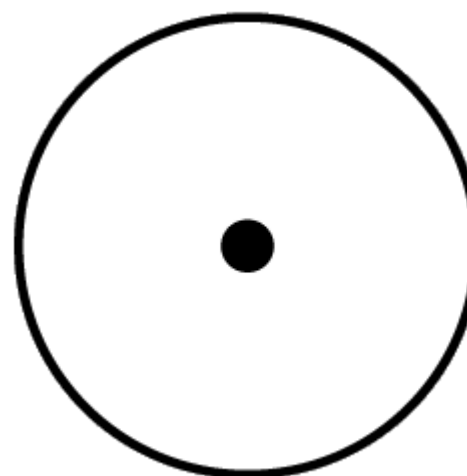
Product data	
Bar code on intermediate packing - EAN2	
Bar code on outerbox - EAN3	8711500411143
Logistic code(s) - 12NC	9240 591 17105 9240 591 17107
ILCOS code	
Net weight per piece	65.600 GR
Successor order code	
Philips Code	14743
Cap-Base	G53
Bulb	R111 [R 111mm]
Burning Position	any [Any/Universal]
Life to 50% failures	4000 hr
Rated Lamp Wattage	60W
Voltage	12V
Lamp Current	5 A
Dimmable	yes
Beam Angle	45D
Colour Rendering Index	100 Ra8
Colour Temperature	3000 K
Cap-Base Temperature	350 C
Bulb Temperature	900 C



MASTERLine 111 G53 R111



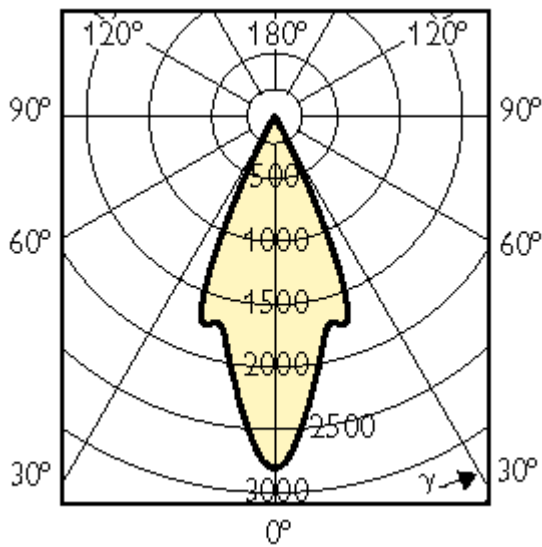
Cap-Base G53



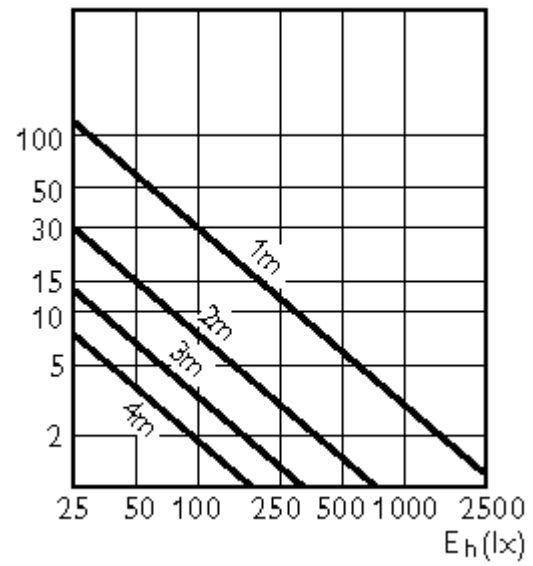
Burning Position any



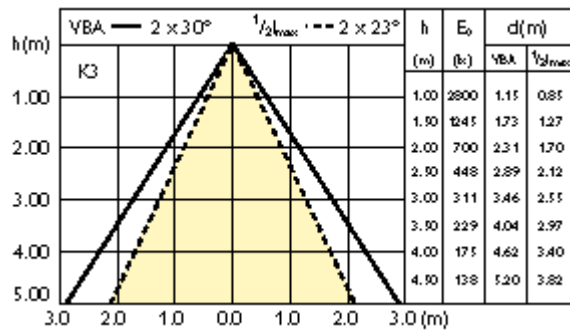
asimpleswitch.com



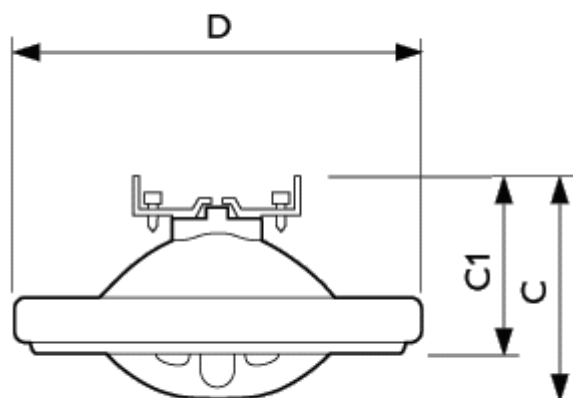
MASTERLine 111 60W 45D



MASTERLine 111 60W 45D



MASTERLine 111 60W 45D



MASTERLine 111

	C	C1	D
Full product name	Max	Max	Max
MASTERLine 111 60W G53 12V 45D 1CT	65	51	111

