

## DECOSTAR 51 ECO 20 W 12 V 24° GU5.3

DECOSTAR 51 ECO | Halogen dichroic reflector lamps with 51 mm diameter



### Areas of application

- General illumination
- Kitchen lighting
- Dining table lighting
- Mirror lighting
- Workplace lighting
- Shops
- Restaurants, hotels and similar prestigious applications

### Product benefits

- Brilliant ECO accent lighting
- Significantly lower CO<sub>2</sub> emissions
- Constant luminous intensity and constant color location throughout
- Approved for use in open luminaires (to IEC 60598-1)
- UV filter
- Contains no mercury

### Product features

- Average life: 5,000 h
- Dimmable
- Color rendering index R<sub>a</sub>: 100
- Color temperature: 3,000 K



# Product datasheet

---

## Technical data

---

### Electrical data

Nominal wattage	20.00 W
Nominal voltage	12 V
Rated wattage	20.00 W
Claimed equiv. conventional lamp power	35 W
Power factor $\lambda$	1.00
Energy consumption	22 kWh/1000h

### Photometrical data

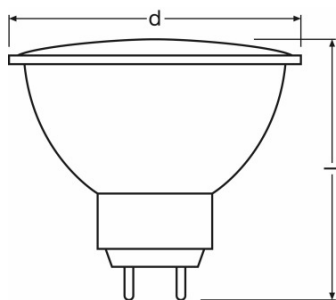
Nominal useful luminous flux 90°	300 lm
Luminous intensity	2000 cd
Color temperature	3000 K
Light color as per EN 12464-1	Warm White
Color rendering index Ra	100
Lumen main.fact.at end of nom.life time	0.75
Rated useful luminous flux 90°	300 lm

### Light technical data

Beam angle	24 °
Starting time	0.0 s
Warm-up time (60 %)	0.00 s

### Dimensions & weight

---



### Product line drawing

Diameter	51.0 mm
----------	---------

## Product datasheet

Length	46.0 mm
Overall length	45.0 mm
Outer bulb	MR51
Maximum diameter	51.0 mm

### Colors & materials

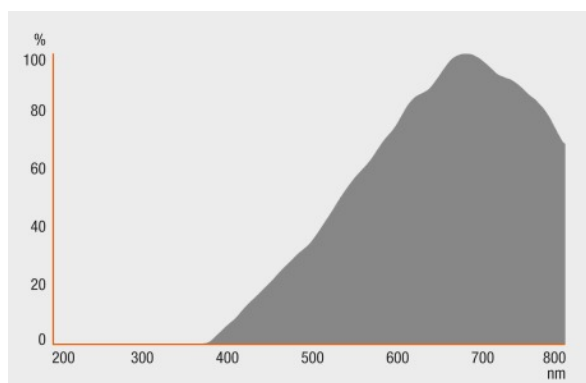
Lamp mercury content	0.0 mg
Mercury-free	Yes

### Lifespan

Nominal lamp life time	5000 h
Rated lamp life time	5000 h
Number of switching cycles	125000 <sup>1)</sup>

<sup>1)</sup> At 1 min on / 3 min off

### Additional product data



### Spectral power distribution

Base (standard designation)	GU5.3
-----------------------------	-------

### Capabilities

Burning position	Any
Dimmable	Yes

## Product datasheet

### Certificates & standards

Energy efficiency class	B
-------------------------	---

### Country specific categorizations

ILCOS	HRGS//UBIB-20-12-GU5.3-51/24
Order reference	48860 ECO FL 20

---

### Country specific information

Product code	METEL code	SEG number	STK number	UK Org
4050300620183	OSRH48860FLECO	8326912	4735322	-

## Product datasheet

---

### Logistical Data

---

Product code	Product description	Packaging unit (Pieces/Unit)	Dimensions (height x width x length)	Volume	Gross weight
4050300620183	DECOSTAR 51 ECO 20 W 12 V 24° GU5.3	Folding carton box 1	46 mm x 46 mm x 58 mm	0.12 dm <sup>3</sup>	38.00 g
4050300620190	DECOSTAR 51 ECO 20 W 12 V 24° GU5.3	Shipping carton box 20	106 mm x 119 mm x 238 mm	3.00 dm <sup>3</sup>	836.00 g

---

The mentioned product code describes the smallest quantity unit which can be ordered. One shipping unit can contain one or more single products. When placing an order, for the quantity please enter single or multiples of a shipping unit.

---

### References / Links

---

For light distribution curves see

▶ [www.osram.com](http://www.osram.com)

---

### Disclaimer

---

Subject to change without notice. Errors and omission excepted. Always make sure to use the most recent release.