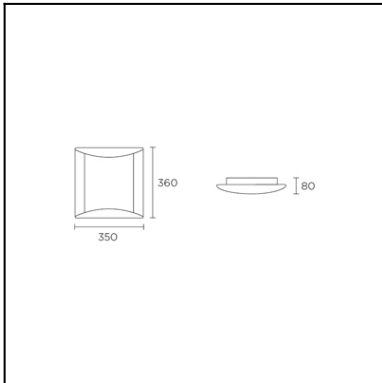




The photograph may not match the reference exactly. Please read the product description to identify the finish.



TECHNICAL CHARACTERISTICS

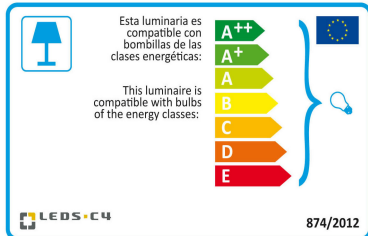
Type:	Ceiling fixture
IP Protection degrees:	IP23
Light source 1:	2 x G24q3 26W
Total power consumption (W):	48
Voltage / Frequency:	230V/50-60Hz
Warranty (Years):	2
Units per box:	4
Net Weight (Kg):	2.247
EAN:	8435111036679



MATERIALS / FINISHES

Structure material:	Steel	Diffuser material:	Polycarbonate
Structure finish:	Textured grey	Diffuser finish:	Matt opal

[Download photometric file .ldt / .ies](#)



[Click on image to download energy label](#)

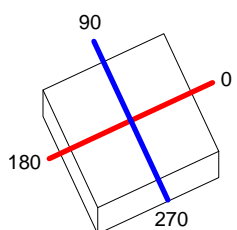
GEAR

Gear included: Yes, electronic

Luminaire		Measur.		Lamp		
Code	332-GR	Code	332-GR	Code	PL-C26W/840/4P	
Name	Plafón ALPEN 2x26W G24q-3 opal	Name	Plafón ALPEN 2x26W G24q-3 opal	Number	2	
Line	Eulumdat	Date	19-03-2010	Position		
Efficiency	33.38%	Coordinate system	CG	Total Flux	3600.00 lm	
Maximum value	380.23 cd	Position	C=0.00 G=0.00	Double Symmetrical		
Rectangular Luminaire	Length	350 mm	Width	360 mm	Height	80 mm
Rectangular Luminous Area	Length	340 mm	Width	270 mm	Height	15 mm
Horizontal Luminous Area	0.091800 m2	Emitting area on Plane 180°		0.005100 m2		
Emitting area on Plane 0°	0.005100 m2	Emitting area on Plane 270°		0.004050 m2		
Emitting area on Plane 90°	0.004050 m2	Glare area at 76°		0.027157 m2		
Symmetry Type	Double Symmetrical	Maximum Gamma Angle		180		
Measurement Distance	0.00	Measurement Flux		3600.00 lm		
Operator	Asselum	Source voltage				
Temperature	25.00 °C	Source current				
Humidity	60.00 %	Photocell				
Notes						

Luminaire Lamps					
Line	Code	Name	Flux [lm]	Pow. [W]	Q.ty
Eulumdat	PL-C26W/840/4P	PL-C26W/840/4P - 26.00 W	1800.00	26.00	2
C.I.E.	46 77 94 93 33	D DIN 5040	A31		
F UTE	0.31 E + 0.02 T	B NBN	BZ 5		

350mm x 360mm



C Halfplanes

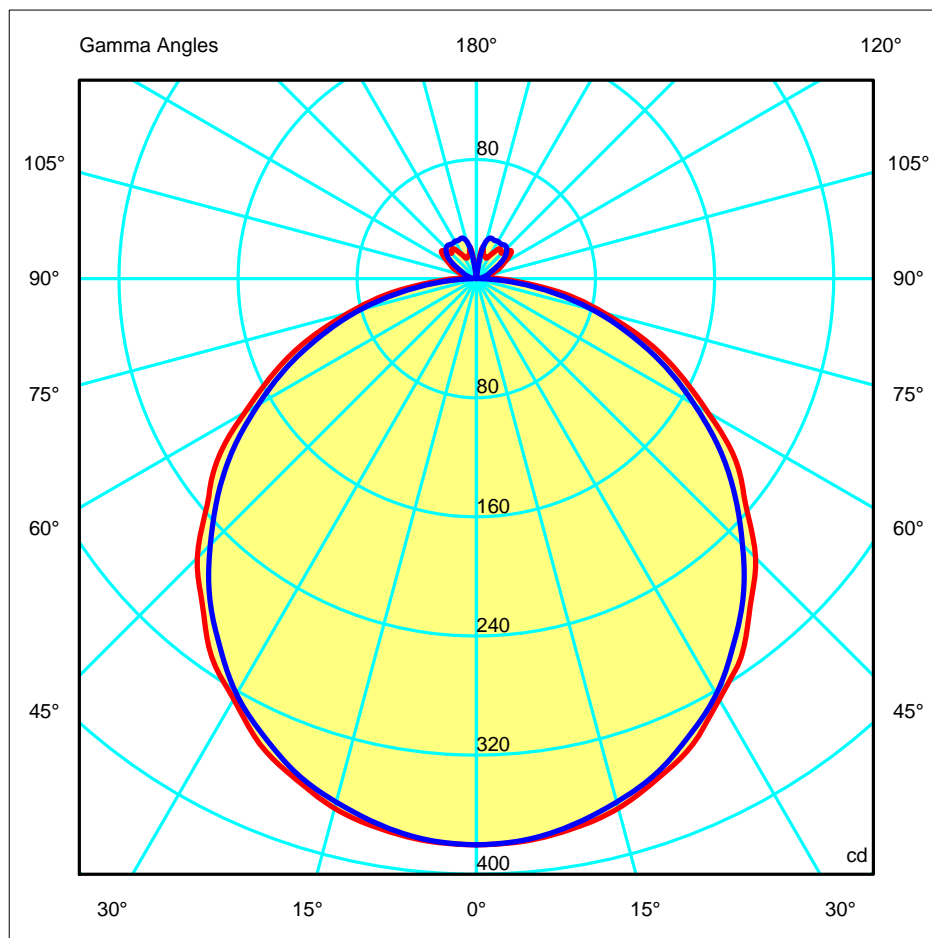
180.0 — 0.0 (Red line)

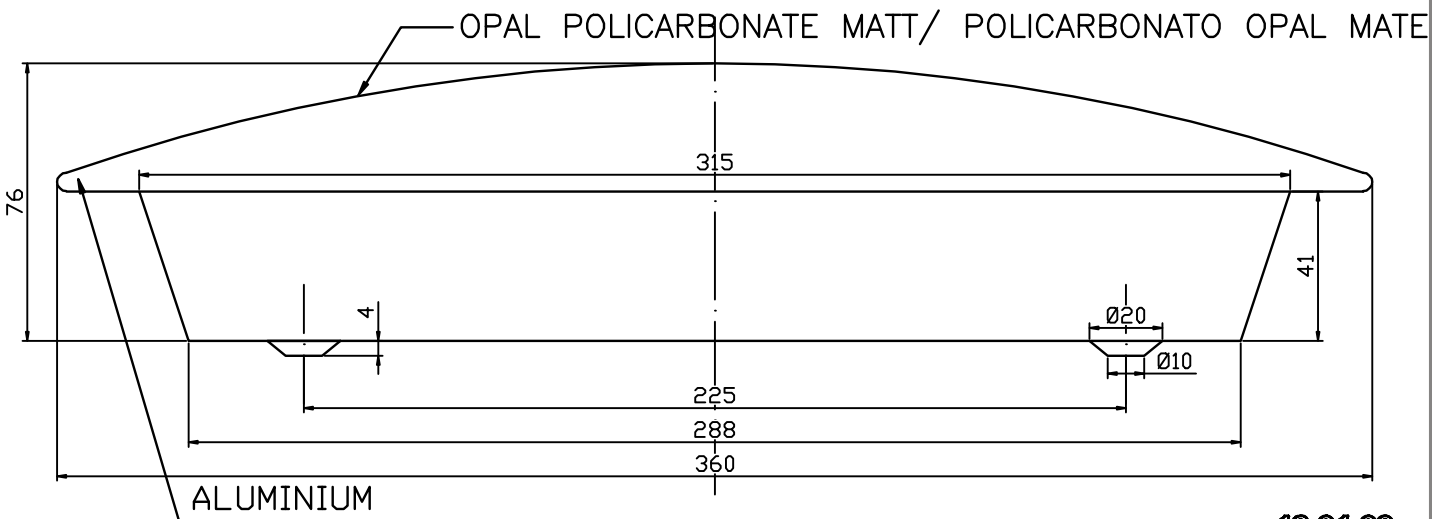
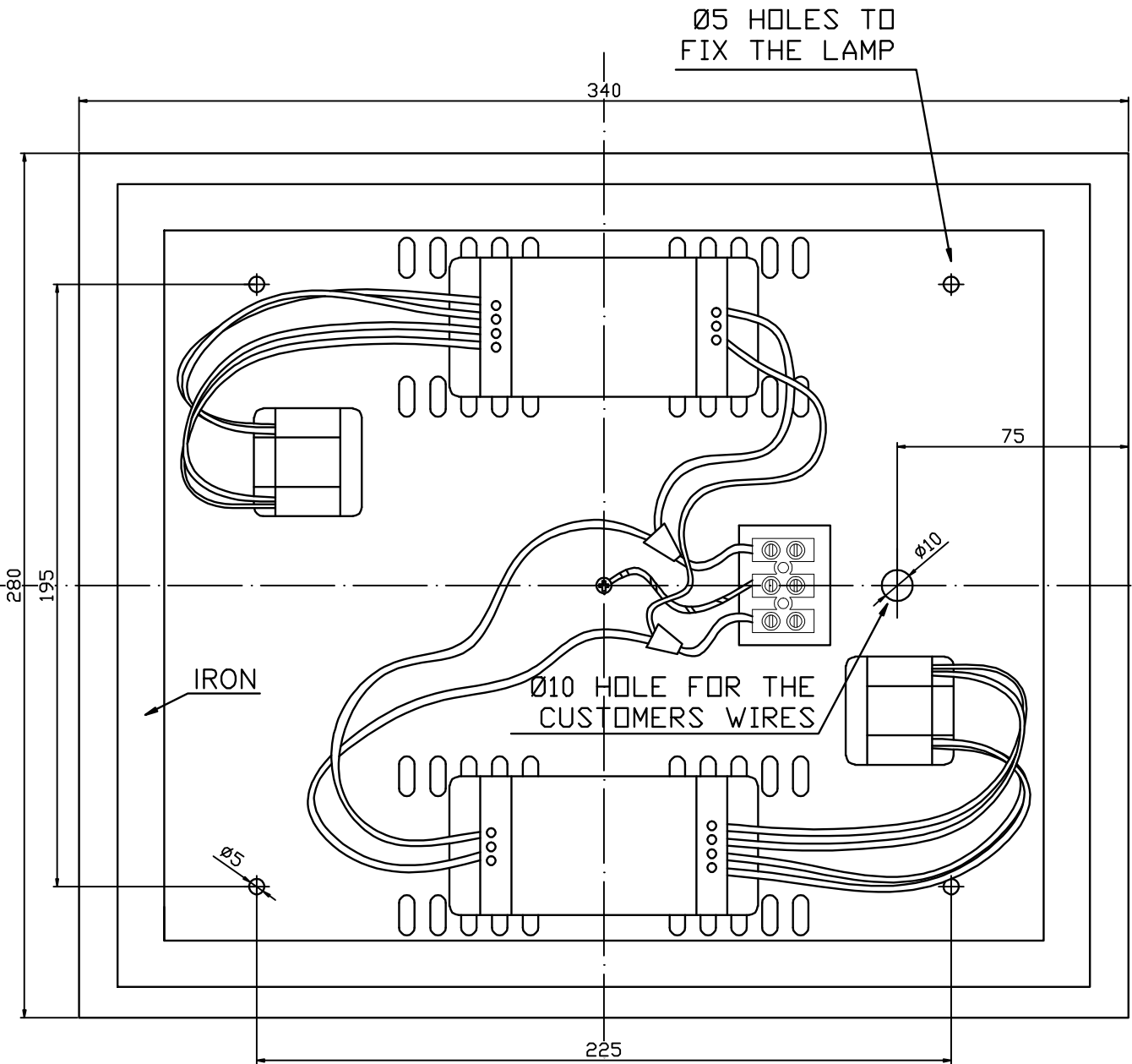
270.0 — 90.0 (Blue line)

ULOR 2.35 %

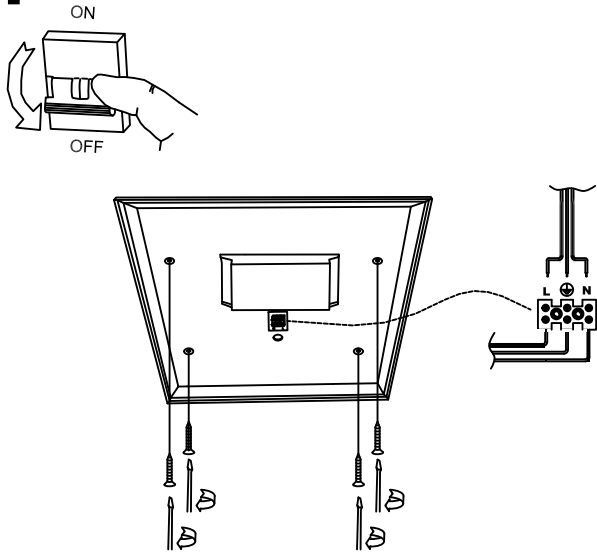
DLOR 31.04 %

RN 7.03 %

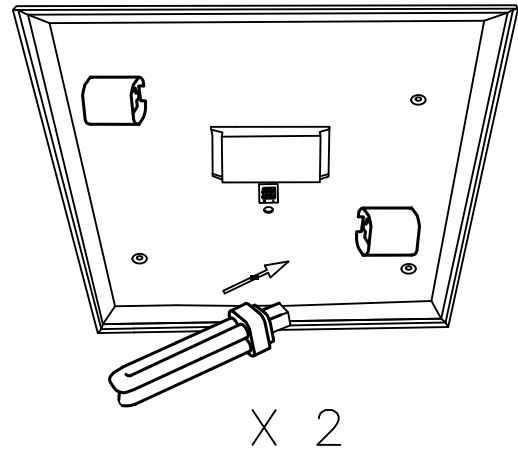




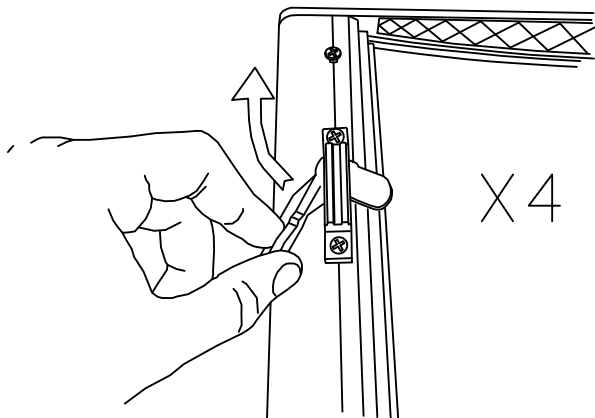
1



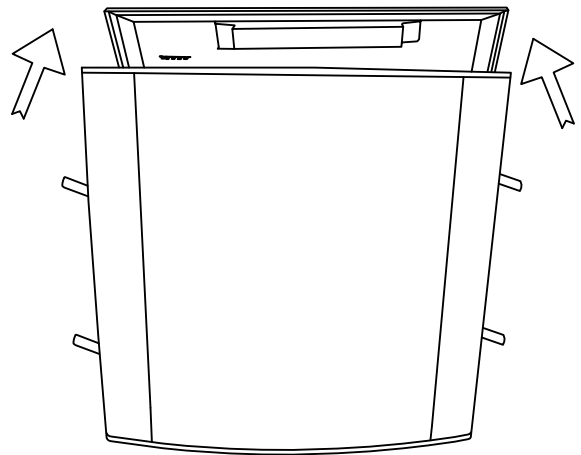
2



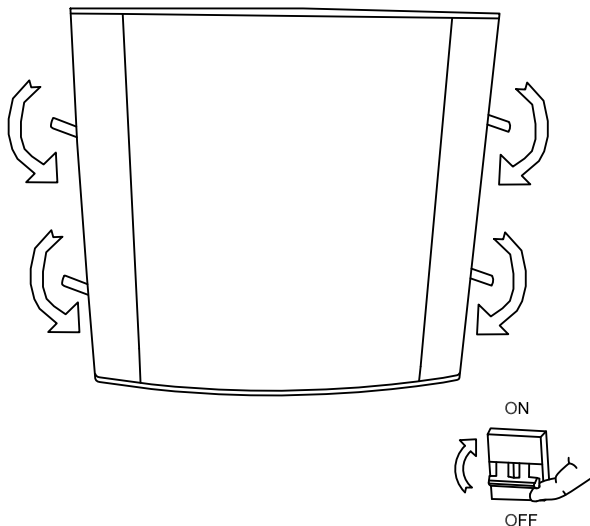
3



4



5



6

