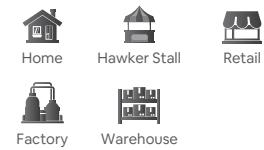




Benefits

- Compact, bright and comfortable
- Long lifespan
- Up to 50% energy savings compared to CFL

Application



Model	Item Description	W	PF	lm	lm/W	CRI	BA	RoHS	Single Box Dimensions (LxWxH)mm	Outer Box Dimensions (LxWxH)mm	Packing Qty (PCS/CTN)
YTT55Z1-STK-11W-E27	CLSV1 STK 11W E27 3000K	11	0.5	1100	100	>80	200°	20000	55*55*115	580*295*250	100
YTT55Z1-STK-11W-E27	CLSV1 STK 11W E27 4000K	11	0.5	1100	100	>80	200°	20000	55*55*115	580*295*250	100
YTT55Z1-STK-11W-E27	CLSV1 STK 11W E27 6500K	11	0.5	1100	100	>80	200°	20000	55*55*115	580*295*250	100
YTT65Z1-STK-15W-E27	CLSV1 STK 15W E27 3000K	15	0.5	1500	100	>80	200°	20000	65*65*135	680*345*290	100
YTT65Z1-STK-15W-E27	CLSV1 STK 15W E27 3000K	15	0.5	1500	100	>80	200°	20000	65*65*135	680*345*290	100
YTT65Z1-STK-15W-E27	CLSV1 STK 15W E27 3000K	15	0.5	1500	100	>80	200°	20000	65*65*135	680*345*290	100

Application Conditions

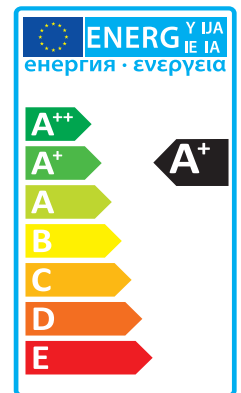
IP	IP20
Operating Temperature	-20~40°C
Application Temperature	25°C
Storage Environment	-25~50°C

Mechanical Properties

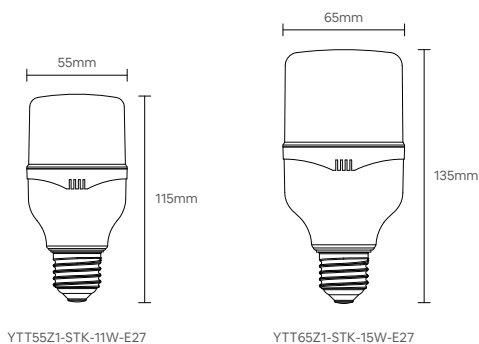
Optical Material	PC
Housing Material	PBT
Finishing Colour	White

Electrical Supply

Frequency (Hz)	50/60
Voltage (V)	220-240
AC/DC	AC



Dimensional Drawing



YTT55Z1-STK-11W-E27

YTT65Z1-STK-15W-E27