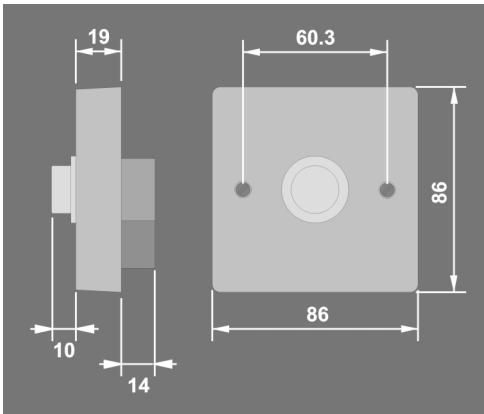




# KH1 Product Guide

## Series of Electronic Time Lag Switches

### Overview



KH1 time lag switches are a quick and effective way to reduce energy consumption for lighting applications. Pressing the button brings the lights on; the lights will then switch off automatically after a preset time period has elapsed.

These units do not require a neutral connection, therefore they can be used to replace an existing light switch. The duration of the time delay is set by a thumbwheel on the reverse of the unit.

The KH1 series comes with extra terminals to allow slave switches to be connected to the system to trigger the timer.

The KH1N has an illuminated push button to allow the unit to be located in the dark.

Time lag switches can be used in two way and intermediate switching arrangements without any extra wiring.

### Wiring

#### Conventional Wiring

Wire the KH1 as in diagram 1. When using multiple switch positions see diagram 2.

For two way and intermediate switching follow the diagrams overleaf. Note that as long as each switch position has a *Live* feed and a *Live Out* connection to the load then the switch will be properly wired.

#### Using Slave Switches

Where slave switches are used follow diagram 3. Limit the cable run between the slave switches and the timer to 25m.

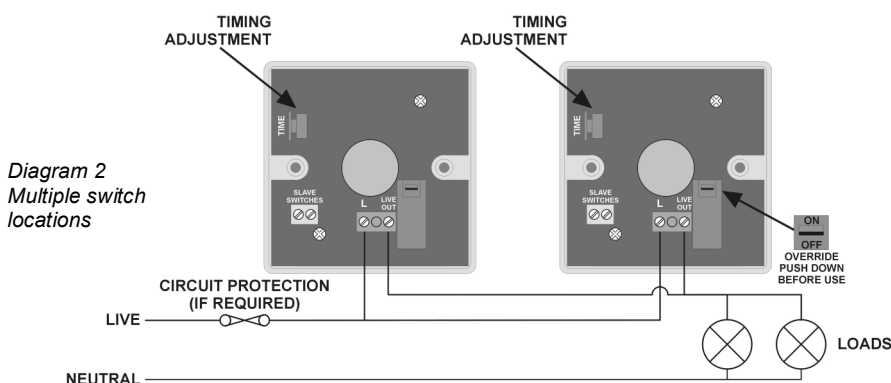
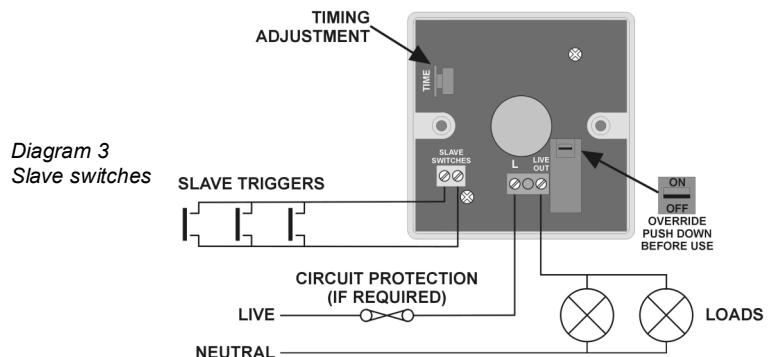
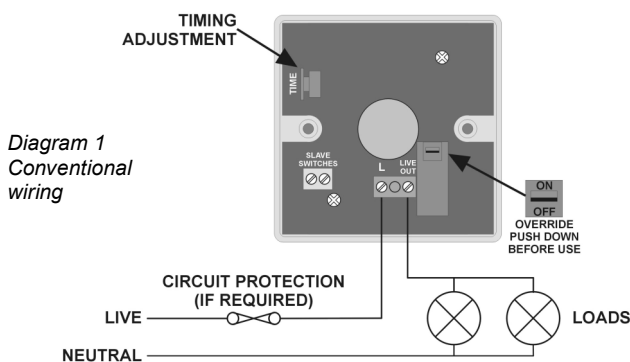
Note that the slave switch must connect directly to the terminals. Putting *Live*, *Neutral* or *Earth* on the terminals will damage the unit.

Slave switches with integral neons will only work if the neons are supplied separately with a *Live* and *Neutral* connection.

### Installation

**Warning.** This device works at mains potential. Be sure to take care when working with electricity.

1. Make sure the load is connected and in working order.
2. Isolate the mains supply to the circuit at the main consumer unit.
3. Connect the controller via the terminal block. Live supply to the *L* terminal and the load to the *LIVE OUT* terminal.
4. Connect the slave switches if using.
5. Push the override switch to the off position (see diagram).
6. Set the timing range using the thumbwheel. Turn clockwise to increase timing.
7. Screw the unit to the wall and switch the mains supply back on at the distribution board.
8. **Wait 20 seconds before pushing the button**
9. Push the button and the lights will come on
10. Wait for the time period and the lights will turn off again.



# Fault Finding

## LIGHTS DO NOT COME ON

Check to see if the live supply to the circuit is good. Strap across the *L* and *LIVE OUT* terminal to turn the load on.

## LIGHTS DO NOT GO OFF

Ensure that you have waited for the time out period.

If the lights still do not go off then it is likely the unit was not given the 20 seconds start up period on installation. Follow this procedure:

1. Isolate the mains supply to the circuit at the main consumer unit and unscrew the unit from the wall.
2. Push the override switch to the off position.
3. Reapply the mains and wait for 20 seconds.
4. Push the button for operation.

## LIGHTS FLICKER

Ensure that there are sufficient power factor correction capacitors fitted.

# Specification

## LOAD

10A of lighting including incandescent, fluorescent, compact fluorescent, low voltage (switch primary of transformer).

Fluorescent and compact fluorescent fittings with "switch start" ballasts - 10 ballasts maximum. Power factor correction capacitors must be fitted.

Most fluorescent fittings have power factor correction capacitors fitted. If they are not present the unit may fail to turn off properly or flicker. In this case fit one capacitor per circuit with a minimum value of 1µF for every unit installed. The capacitor should be fitted across switched live and neutral. Note that it is not necessary to fit a capacitor on every fitting. This also applies to fittings controlled with high frequency ballasts and maintained emergency fittings.

*Not suitable for switching contactors*

*Not suitable for SON lighting*

*Not suitable for heating or ventilation loads.*

Please contact our sales department for a suitable alternative product.

**SUPPLY VOLTAGE** 220-240 Volts AC 50 Hz

**TIME OUT PERIOD** 20 seconds to 20 minutes (approximate)

**FIXING METHOD** Surface fixing 25mm deep plastic surface mount moulded box.  
Flush fixing 25mm steel wall box or 32mm deep cavity wall box.

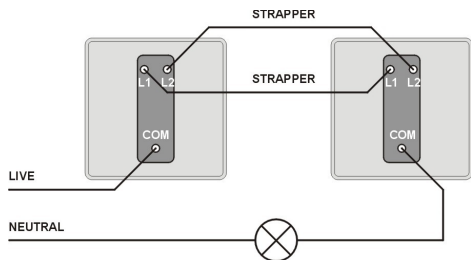
**TERMINAL CAPACITY** 1.5mm<sup>2</sup>

**MATERIAL** Flame retardant ABS

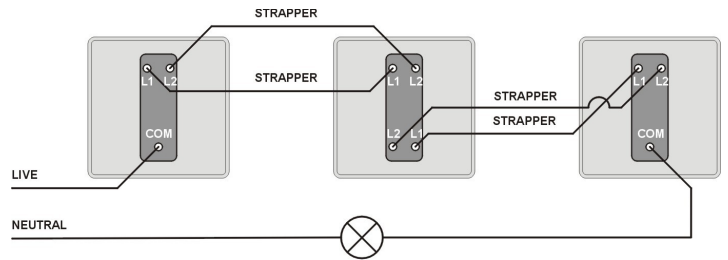
**TYPE** Class 2

**TEMPERATURE** -10°C to 35°C

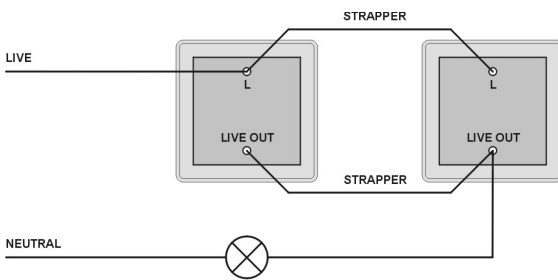
**CONFORMITY** EMC-2004/108/EC  
LVD-2006/95/EC



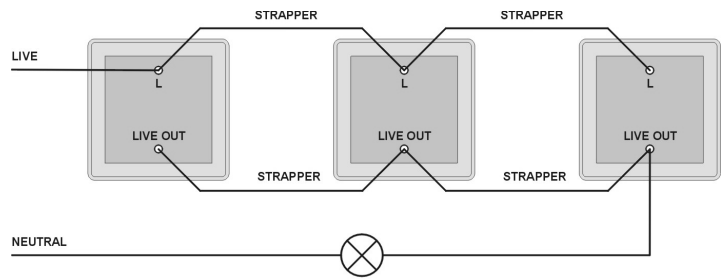
WIRING DIAGRAM FOR TWO WAY SWITCHING



WIRING DIAGRAM FOR TWO WAY AND INTERMEDIATE SWITCHING



WIRING DIAGRAM FOR TWO WAY SWITCHING USING TIME LAG SWITCHES



WIRING DIAGRAM FOR INTERMEDIATE AND TWO WAY SWITCHING USING TIME LAG SWITCHES

# Part Numbers

- |       |  |
|-------|--|
| KH1   | Electronic time lag switch   |
| KH1N  | Electronic time lag switch with neon locator   |
| SLV1  | Slave switch   |
| SLV1N | Illuminated slave switch (requires separate <i>Live</i> and <i>Neutral</i> connection) |

## IMPORTANT NOTICE!

This device should be installed by a qualified electrician in accordance with the latest edition of the IEE Wiring Regulations and any applicable Building Regulations.



**C.P. Electronics Ltd**  
Brent Crescent  
London  
NW10 7XR  
United Kingdom  
Tel: + 44 (0) 333 900 0671  
Fax: + 44 (0) 333 900 0674  
www.green-iswitches.co.uk  
enquiry@green-iswitches.co.uk