



Benefits

- High system efficacy up to 100 lm/W
- Light without flicker reduces stress while working/living underneath
- Driver on board in compact size ensure 1 step plug-and-play installation
- Up to 50% energy saving compared to conventional downlight

Application

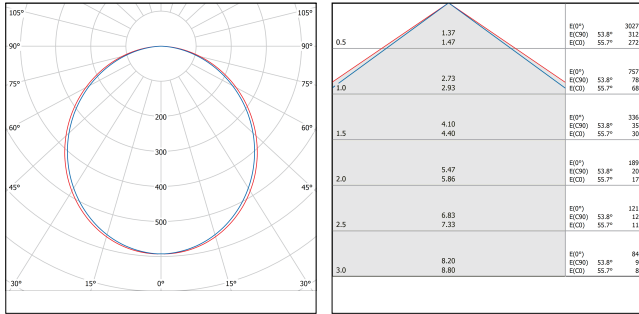


Model	Item Description	W	PF	lm	lm/W	mA	Icon	Single Box Dimensions (LxWxH)mm	Outer Box Dimensions (LxWxH)mm	Packing Qty (PCS/CTN)
MQTL1119-Y-18W-R175 V2	CLSV2 DL 18W R175 3000K	18	0.5	1800	100	160	20000	202*40*202	425*430*425	40
MQTL1119-Y-18W-R175 V2	CLSV2 DL 18W R175 4000K	18	0.5	1800	100	160	20000	202*40*202	425*430*425	40
MQTL1119-Y-18W-R175 V2	CLSV2 DL 18W R175 6500K	18	0.5	1800	100	160	20000	202*40*202	425*430*425	40
MQTL1119-Y-22W-R200 V2	CLSV2 DL 22W R200 3000K	22	0.5	2200	100	200	20000	222*40*222	465*430*465	40
MQTL1119-Y-22W-R200 V2	CLSV2 DL 22W R200 4000K	22	0.5	2200	100	200	20000	222*40*222	465*430*465	40
MQTL1119-Y-22W-R200 V2	CLSV2 DL 22W R200 6500K	22	0.5	2200	100	200	20000	222*40*222	465*430*465	40
MQTL1119-F-22W-S200 V2	CLSV2 DL 22W S200 3000K	22	0.5	2200	100	200	20000	245*40*225	510*430*470	40
MQTL1119-F-22W-S200 V2	CLSV2 DL 22W S200 4000K	22	0.5	2200	100	200	20000	245*40*225	510*430*470	40
MQTL1119-F-22W-S200 V2	CLSV2 DL 22W S200 6500K	22	0.5	2200	100	200	20000	245*40*225	510*430*470	40
MQTL1119-Y-R200-SM KIT	CLSV1 DL R200 SM KIT	/	/	/	/	/	/	/	487*487*225	45
MQTL1119-F-S200-SM KIT	CLSV1 DL S200 SM KIT	/	/	/	/	/	/	/	487*487*225	45

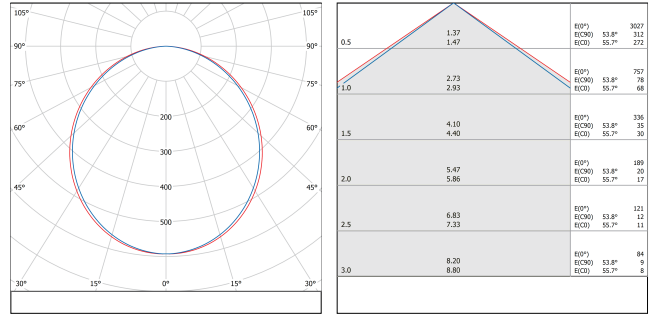
Note: SM Kit is only available for R200/S200 (8") models

Photometric Data

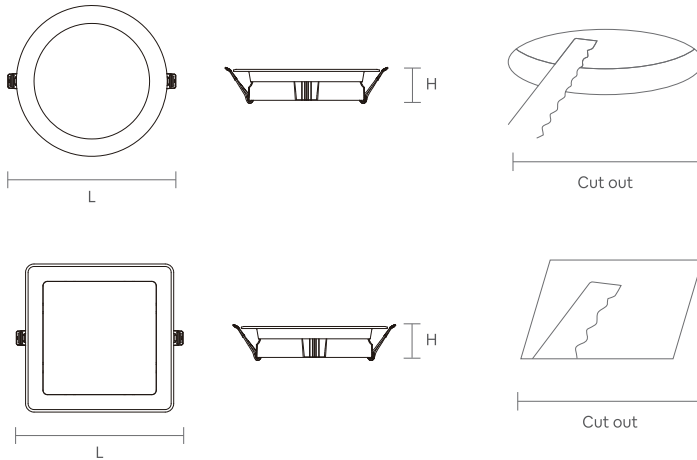
18W



22W



Dimensional Drawing



Model	L(mm)	H(mm)	Cut out(mm)
MQTL1119-Y-18W-R175 V2	Ø200	30	Ø175
MQTL1119-Y-22W-R200 V2	Ø225	30	Ø200
MQTL1119-F-22W-S200 V2	225	30	200*200

Technical Specifications	
CRI	80
Colour Consistency (SDCM)	≤6
Dimmable	No
Housing Colour	White
IP	IP20
IK	IK02
Driver integrated (Yes/No)	Yes
Glow wire test	650 C
Driver failure rate	1% at 5000h
Weight (pc/kg)	0.166/0.216/0.397/0.574

Electrical Supply	
Frequency (Hz)	50/60Hz
Voltage (V)	220V-240V
AC/DC	AC

Mechanical Properties	
Optical Material	PP
Housing Material	PC

Application Conditions	
Operating Temperature	-20 C~40 C
Application Temperature	20 C
Storage Environment	-20 C~40 C

CE CB

