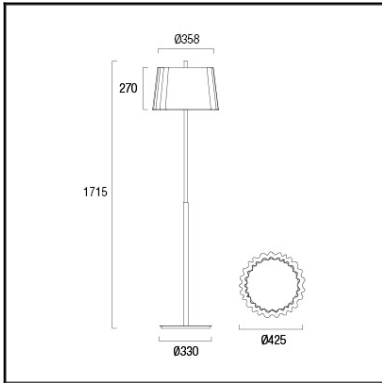


Design by Gemma Bernal



The photograph may not match the reference exactly. Please read the product description to identify the finish.



TECHNICAL CHARACTERISTICS

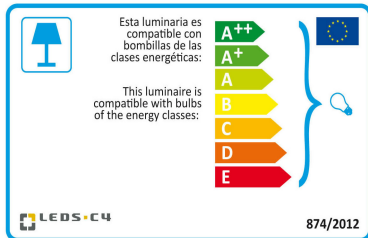
Type:	Floor lamp
IP Protection degrees:	IP20
Light source 1:	1 x 2GX13 55W
Voltage / Frequency:	220-240V/50-60Hz
Warranty (Years):	2
Units per box:	1
Net Weight (Kg):	8.12
EAN:	8435111083482



MATERIALS / FINISHES

Structure material:	Steel	Diffuser material:	Methacrylate shade Methacrylate
Structure finish:	Chrome	Diffuser finish:	Transparent Opal

Download photometric file .ldt / .ies



Click on image to download energy label

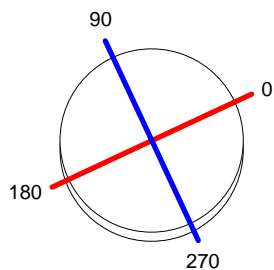
GEAR

Gear included: Yes, electronic

Luminaire		Measur.		Lamp	
Code	25-4413-21-M2	Code	00-4413-21-M2	Code	FC 55 W/830
Name	Pie 55W FC difusor opal	Name	Pie 55W FC difusor opal	Number	1
Line	Eulumdat	Date	08-09-2011	Position	
Efficiency	27.54%	Coordinate system	CG	Total Flux	4200.00 lm
Maximum value	455.11 cd	Position	C=45.00 G=10.00	Double Symmetrical	
Round Luminaire	Diam.	430 mm	Height	1700 mm	
Round Luminous Area	Diam.	330 mm	Height	10 mm	
Horizontal Luminous Area	0.085530 m2	Emitting area on Plane 180°	0.003300 m2	Emitting area on Plane 270°	0.003300 m2
Emitting area on Plane 0°	0.003300 m2	Glare area at 76°	0.023894 m2		
Emitting area on Plane 90°	0.003300 m2				
Symmetry Type	Double Symmetrical	Maximum Gamma Angle	90		
Measurement Distance	0.00	Measurement Flux	4200.00 lm		
Operator	Asselum T2	Source voltage			
Temperature	25.00 °C	Source current			
Humidity	60.00 %	Photocell			
Notes					

Luminaire Lamps					
Line	Code	Name	Flux [lm]	Pow. [W]	Q.ty
Eulumdat	FC 55 W/830	FC 55 W/830 - 55.00 W	4200.00	55.00	1
C.I.E.	48 78 94 100 28	D DIN 5040	A30		
F UTE	0.28 E	B NBN	BZ 4 / 1.5 / BZ 5		

Diam=430mm



C Halfplanes

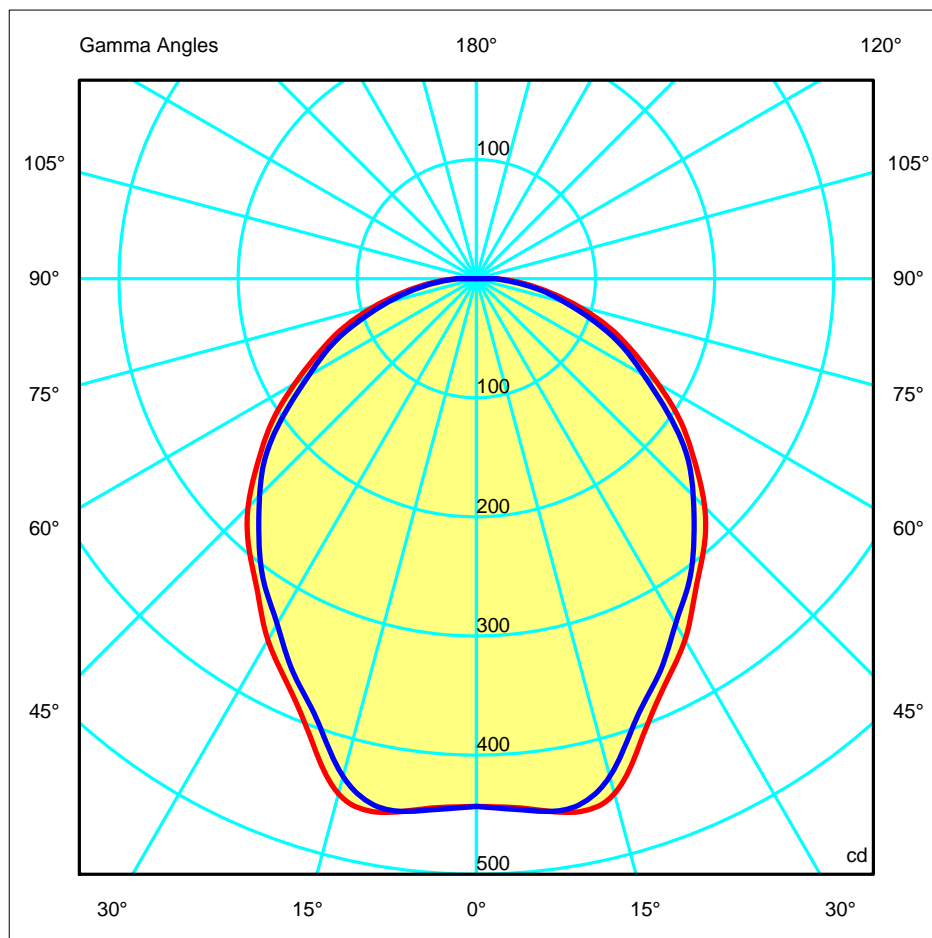
180.0 — 0.0

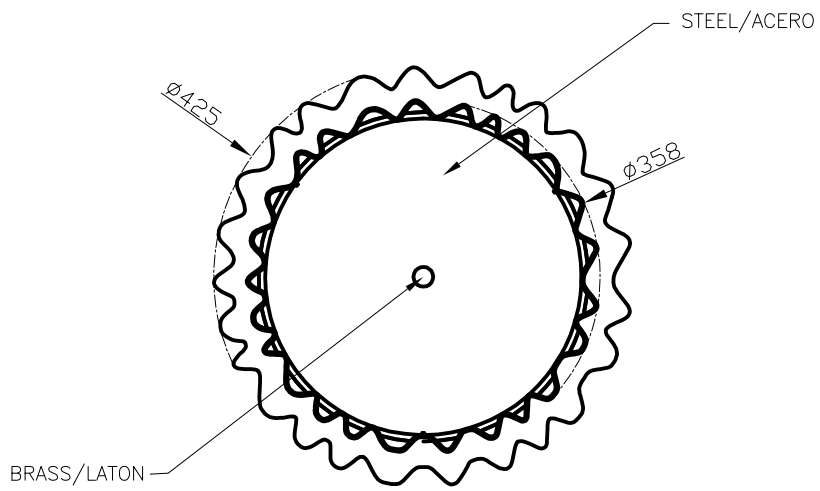
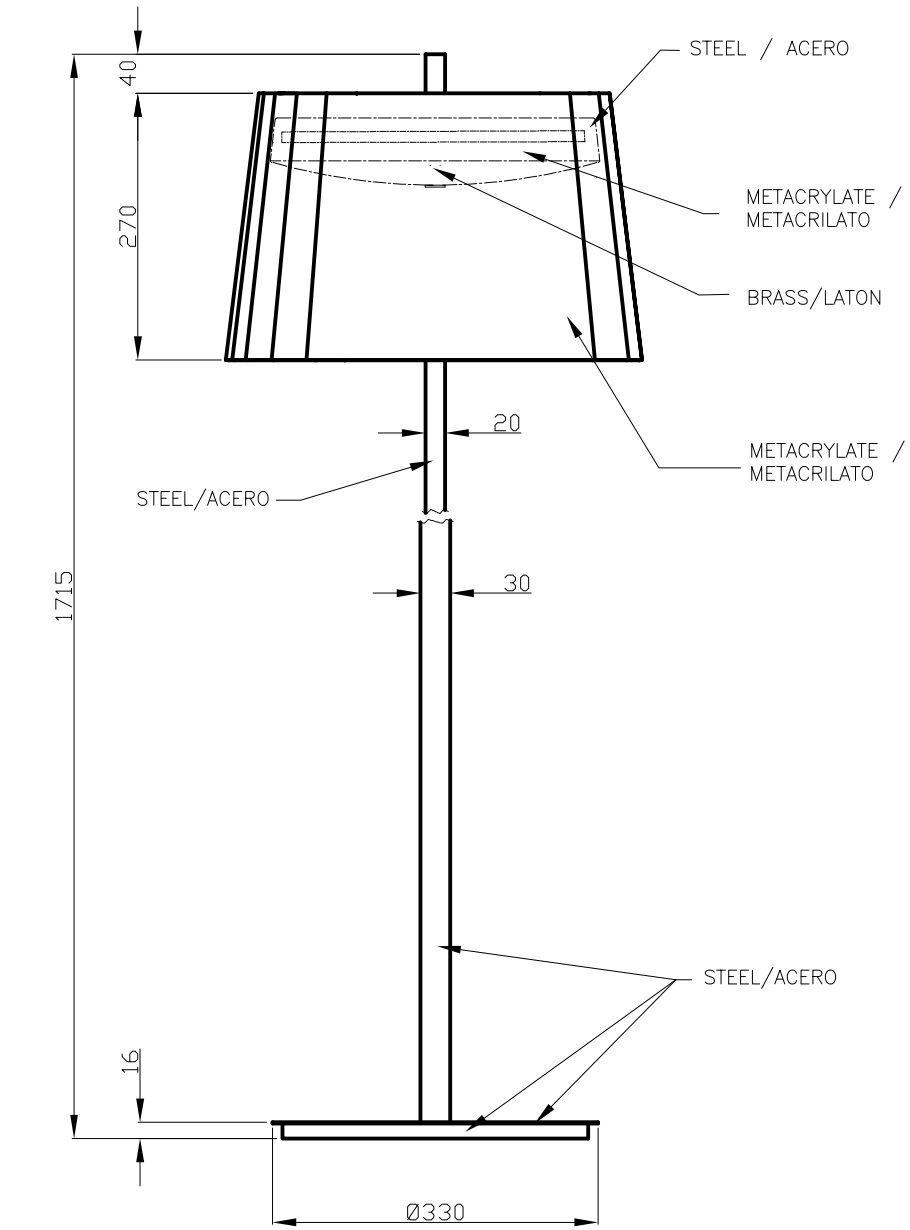
270.0 — 90.0

ULOR 0.00 %

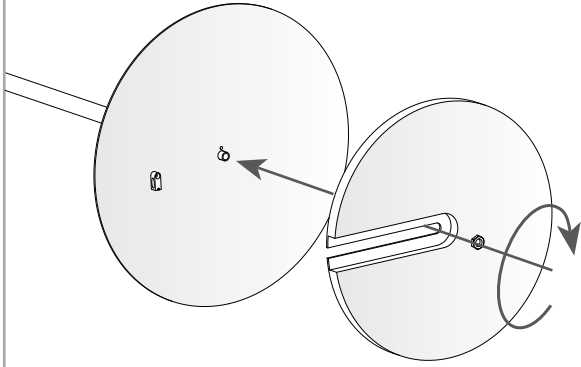
DLOR 27.54 %

RN 0.00 %

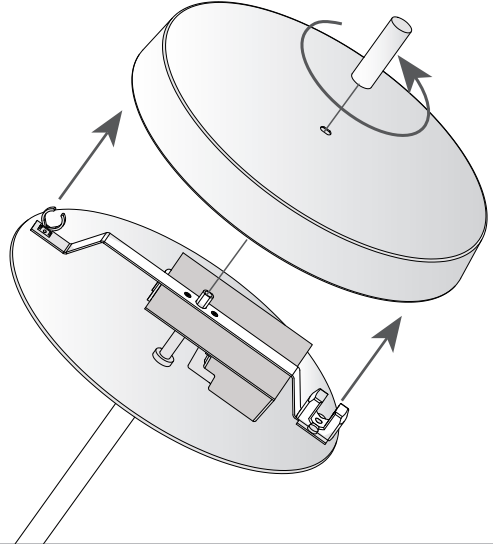




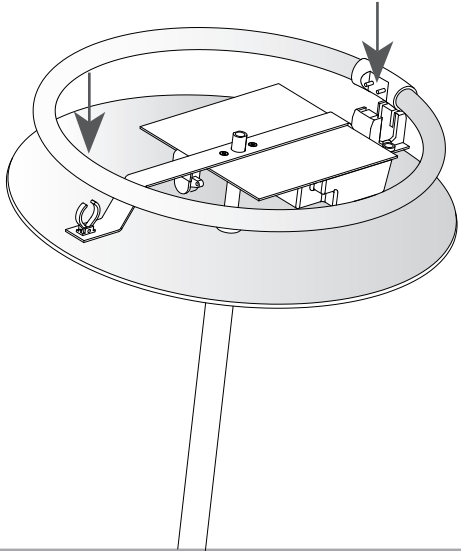
1



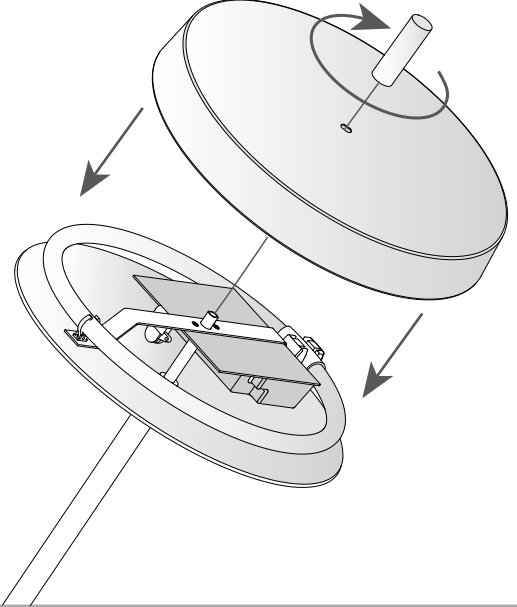
2



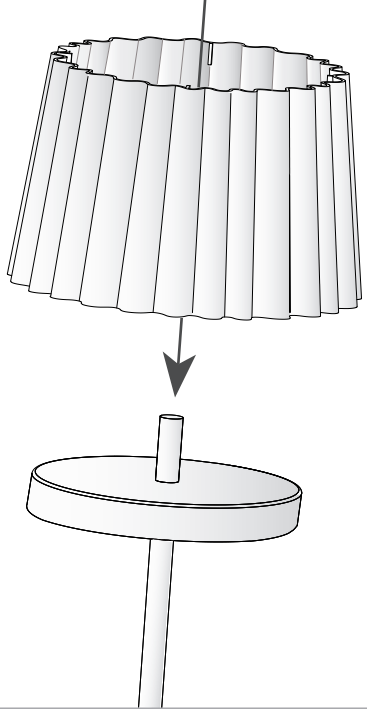
3



4



5



6

