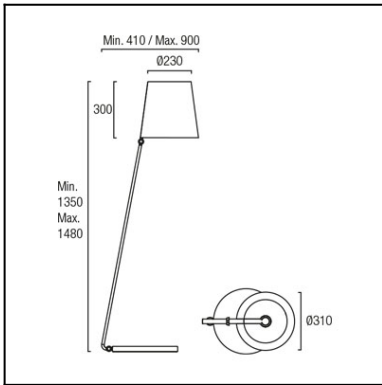
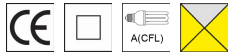


Design by Francesc Vilaró

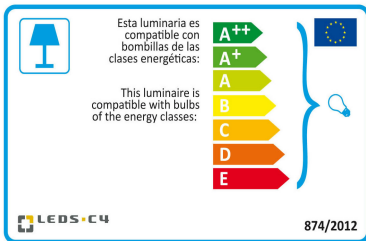

The photograph may not match the reference exactly. Please read the product description to identify the finish.


TECHNICAL CHARACTERISTICS

Type:	Floor lamp
Adjustable:	Adjustable 350° on the vertical axis.
IP Protection degrees:	IP20
Light source 1:	1 x E27 MAX 30W Maximum lamp length: 180.00 mm Maximum lamp diameter: 60.00 mm
Total power consumption (W):	30
Voltage / Frequency:	230-240V/50-60Hz
Warranty (Years):	2
Units per box:	1
Net Weight (Kg):	13.24
EAN:	8435111083475


MATERIALS / FINISHES

Structure material:	Aluminium	Diffuser material:	Polycarbonate
Structure finish:	Chrome	Diffuser finish:	Fumé Matt opal

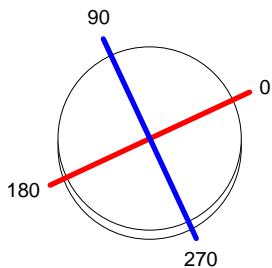
[Download photometric file .ldt /.ies](#)

[Click on image to download energy label](#)
GEAR

Gear included: Yes, electronic

Luminaire		Measur.		Lamp	
Code	25-4409-21-12	Code	00-4409-21-12	Code	DLX EL LL 30W827E27
Name	Pie 1x30W TC-EL E27	Name	Pie 1x30W TC-EL E27	Number	1
Line	Eulumdat	Date	14-12-2012	Position	
Efficiency	61.09%	Coordinate system	CG	Total Flux	1900.00 lm
Maximum value	230.03 cd	Position	C=60.00 G=35.00	Double Symmetrical	
Round Luminaire	Diam.	310 mm	Height	300 mm	
Round Luminous Area	Diam.	310 mm	Height	300 mm	
Horizontal Luminous Area	0.075477 m2		Emitting area on Plane 180°	0.093000 m2	
Emitting area on Plane 0°	0.093000 m2		Emitting area on Plane 270°	0.093000 m2	
Emitting area on Plane 90°	0.093000 m2		Glare area at 76°	0.108497 m2	
Symmetry Type	Double Symmetrical		Maximum Gamma Angle	180	
Measurement Distance	0.00		Measurement Flux	1900.00 lm	
Operator	Asselum T2		Source voltage		
Temperature	25.00 °C		Source current		
Humidity	60.00 %		Photocell		
Notes					

Luminaire Lamps					
Line	Code	Name	Flux [lm]	Pow. [W]	Q.ty
Eulumdat	DLX EL LL 30W827E27	DLX EL LL 30W827E27 - 30.00 W	1900.00	30.00	1
C.I.E.	36 69 88 73 61	D DIN 5040		B21	
F UTE	0.45 G + 0.16 T	B NBN		BZ 6	

Diam=310mm



C Halfplanes

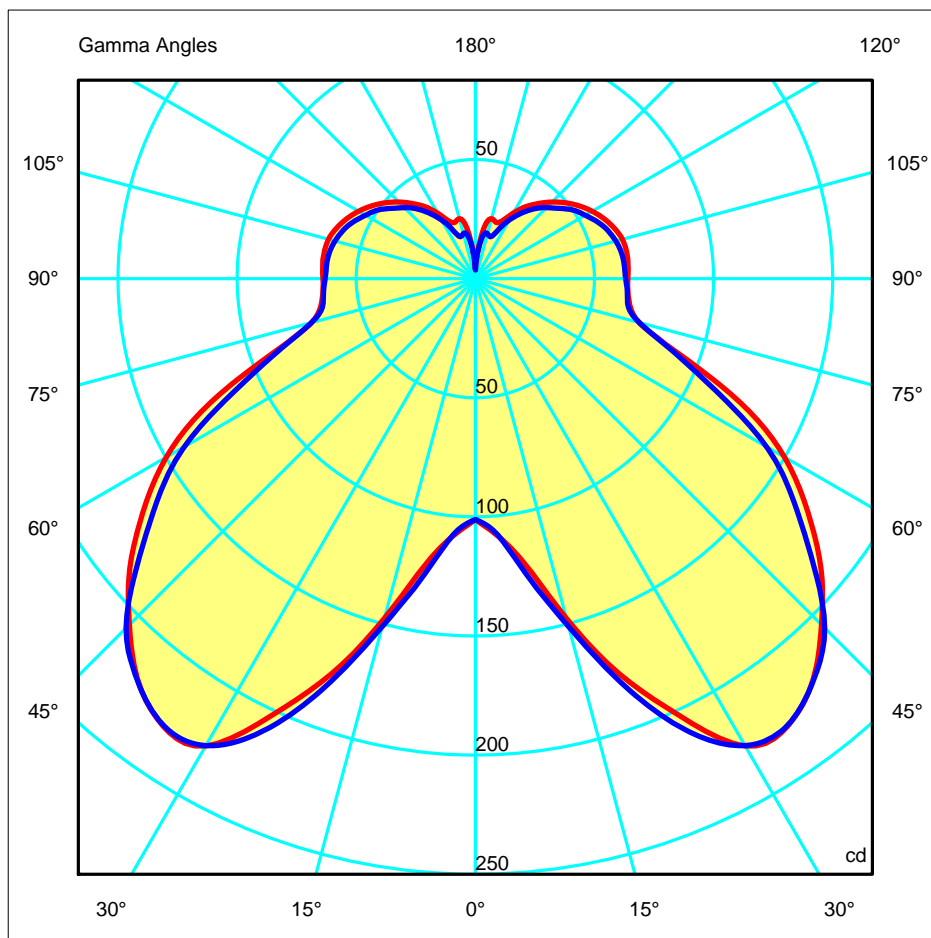
180.0 — 0.0

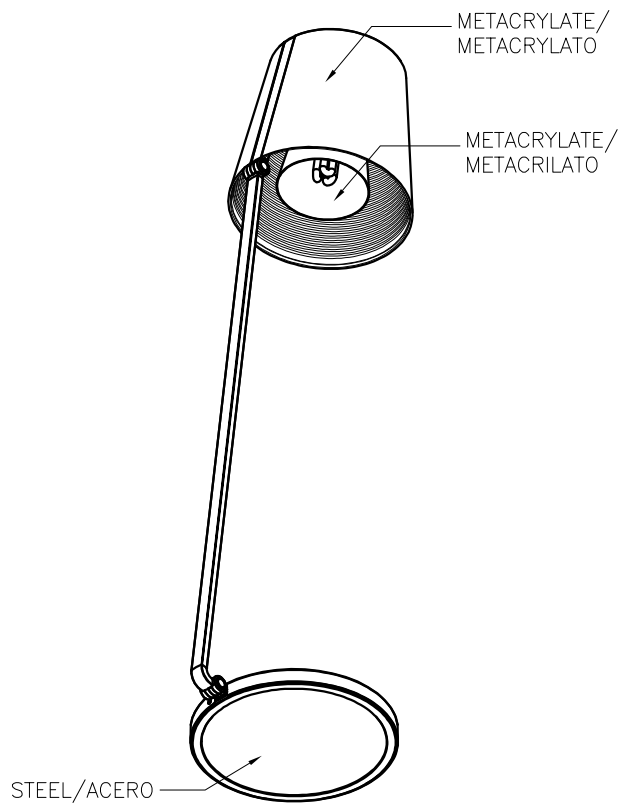
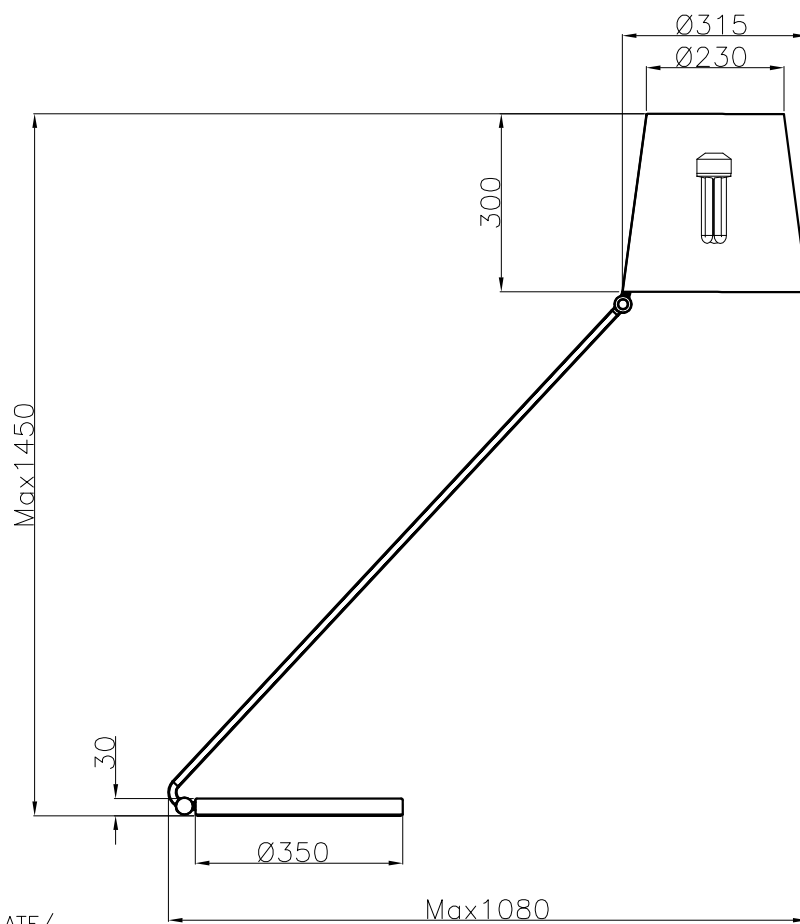
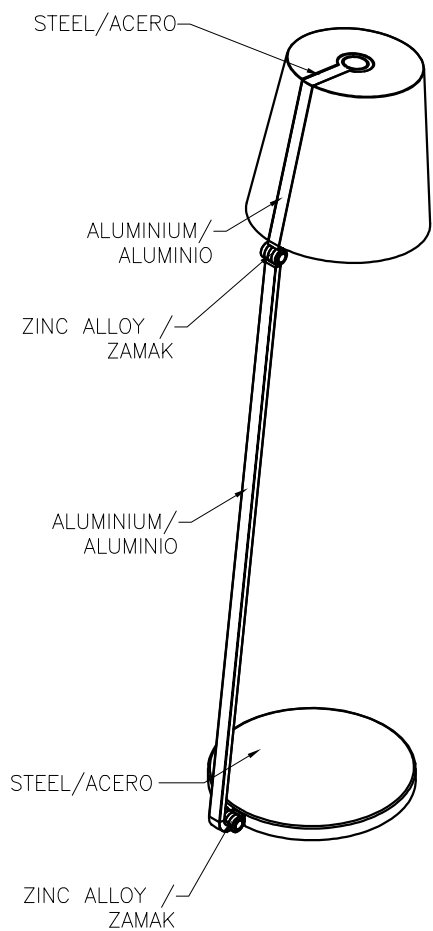
270.0 — 90.0

ULOR 16.26 %

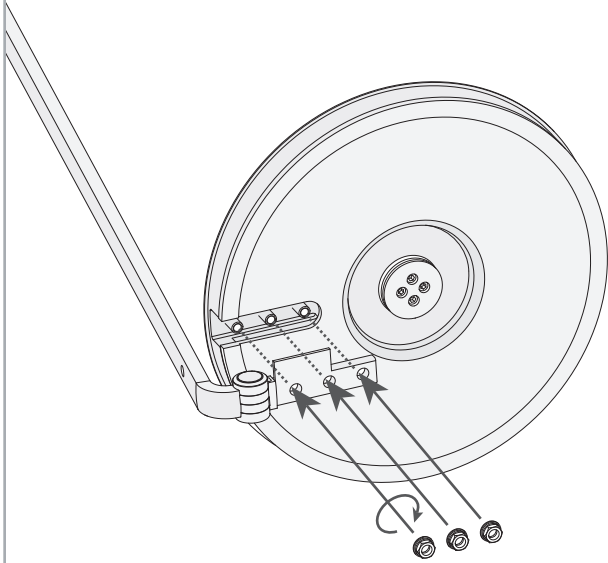
DLOR 44.83 %

RN 26.62 %

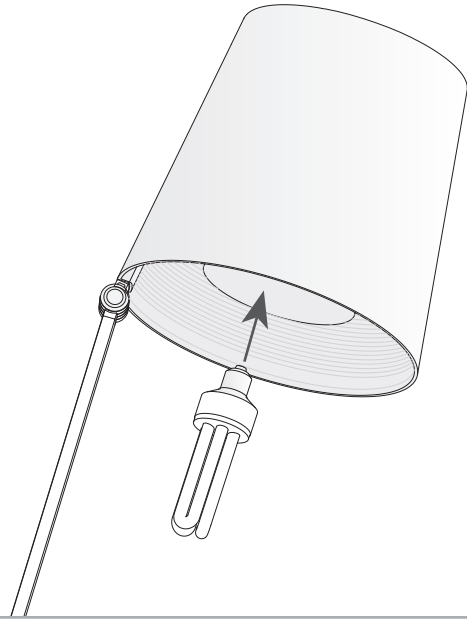




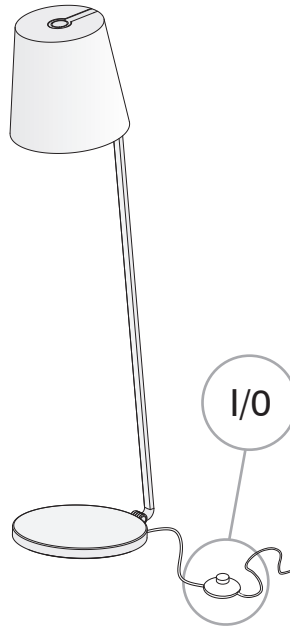
1



2



3



4

