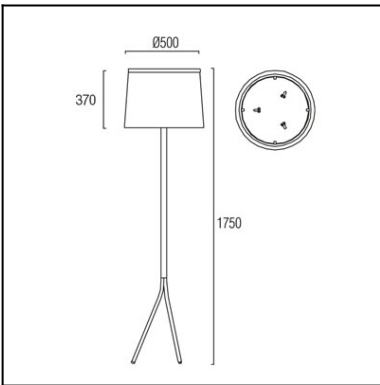


Design by Benedito Design



The photograph may not match the reference exactly. Please read the product description to identify the finish.



TECHNICAL CHARACTERISTICS

Type:	Floor lamp
IP Protection degrees:	IP20
Light source 1:	3 x G9 MAX 40W
Light source 2:	3 x E27 MAX 23W Maximum lamp length: 140.00 mm Maximum lamp diameter: 60.00 mm
Bulb included:	3 x G9 40W
Voltage / Frequency:	230V/50-60Hz
Warranty (Years):	2
Units per box:	1
Net Weight (Kg):	5.945
EAN:	8435111043530



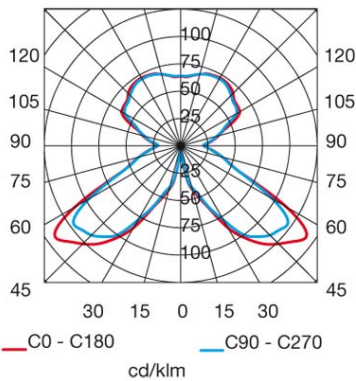
MATERIALS / FINISHES

Structure material: Steel
Satin aluminium

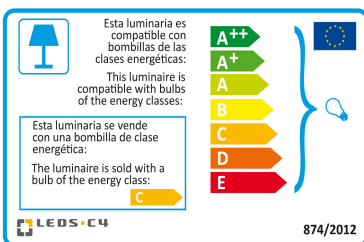
Diffuser material: Fabric shade

Structure finish: Chrome

Diffuser finish: White



Download photometric file .ldt /.ies

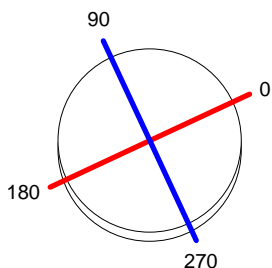


Click on image to download energy label

Luminaire		Measur.		Lamp	
Code	25-2407-AG-05	Code	25-2407-AG-05	Code	-
Name	Pie LEILA 3x23W+3x40W GP negra	Name	Pie LEILA 3x23W+3x40W GP negra	Number	6
Line	Eulumdat	Date	27-09-2010	Position	
Efficiency	38.78%	Coordinate system	CG	Total Flux	5880.00 lm
Maximum value	541.98 cd	Position	C=30.00 G=20.00	Double Symmetrical	
Round Luminaire	Diam.	500 mm	Height	1750 mm	
Round Luminous Area	Diam.	500 mm	Height	370 mm	
Horizontal Luminous Area	0.196350 m2	Emitting area on Plane 180°	0.185000 m2		
Emitting area on Plane 0°	0.185000 m2	Emitting area on Plane 270°	0.185000 m2		
Emitting area on Plane 90°	0.185000 m2	Glare area at 76°	0.227006 m2		
Symmetry Type	Double Symmetrical	Maximum Gamma Angle	180		
Measurement Distance	0.00	Measurement Flux	5880.00 lm		
Operator	Asselum	Source voltage			
Temperature	25.00 °C	Source current			
Humidity	60.00 %	Photocell			
Notes					

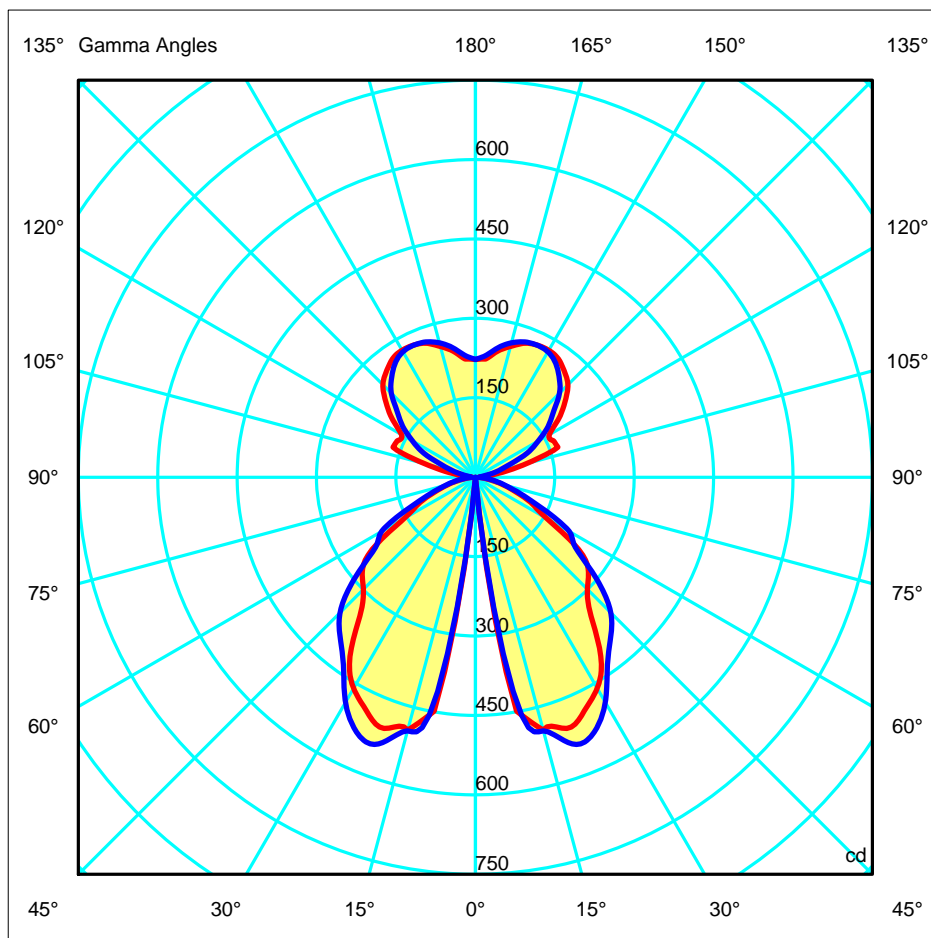
Line	Code	Luminaire Lamps		Flux [lm]	Pow. [W]	Q.ty
Eulumdat	-	Name	- - 31.50 W	980.00	31.50	6
C.I.E.	51 84 97 60 39	D DIN 5040	C41			
F UTE	0.23 D + 0.16 T	B NBN	BZ 4			

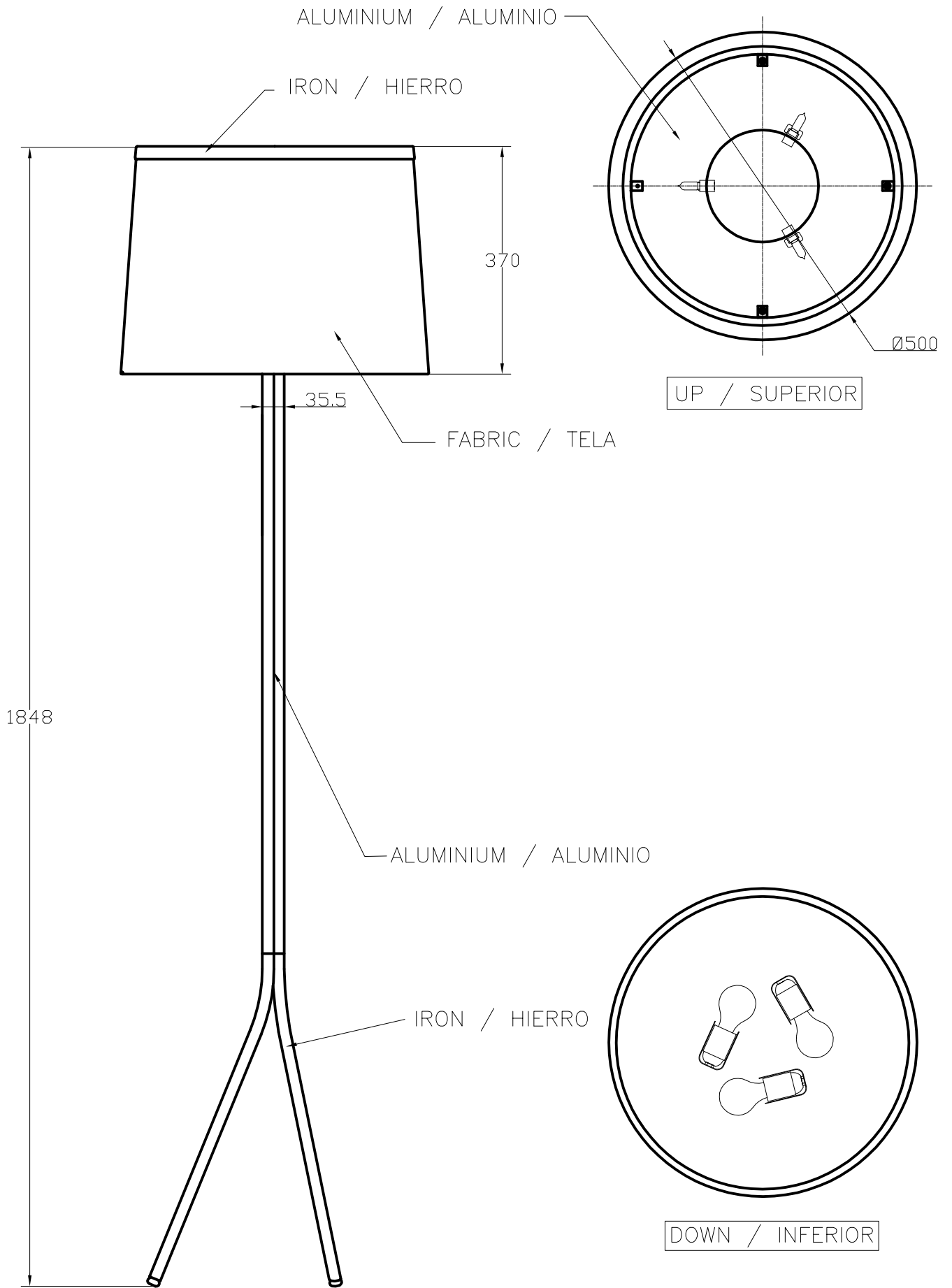
Diam=500mm



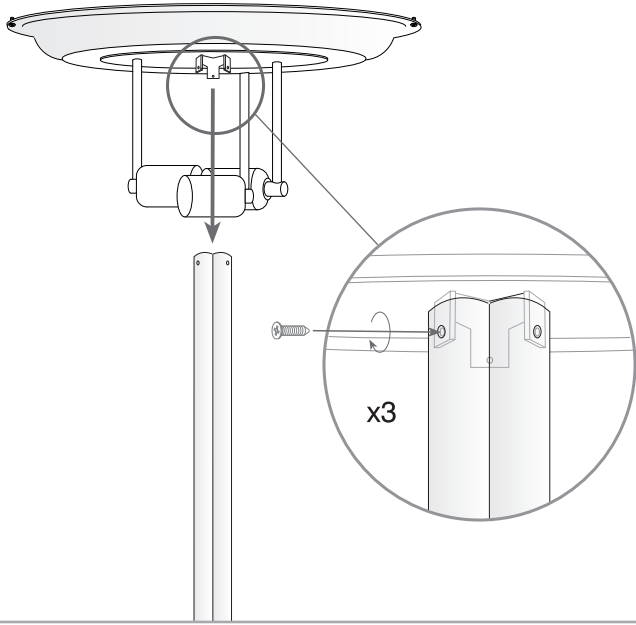
C Halfplanes
 180.0 — 0.0
 270.0 — 90.0

ULOR 15.65 %
 DLOR 23.13 %
 RN 40.36 %

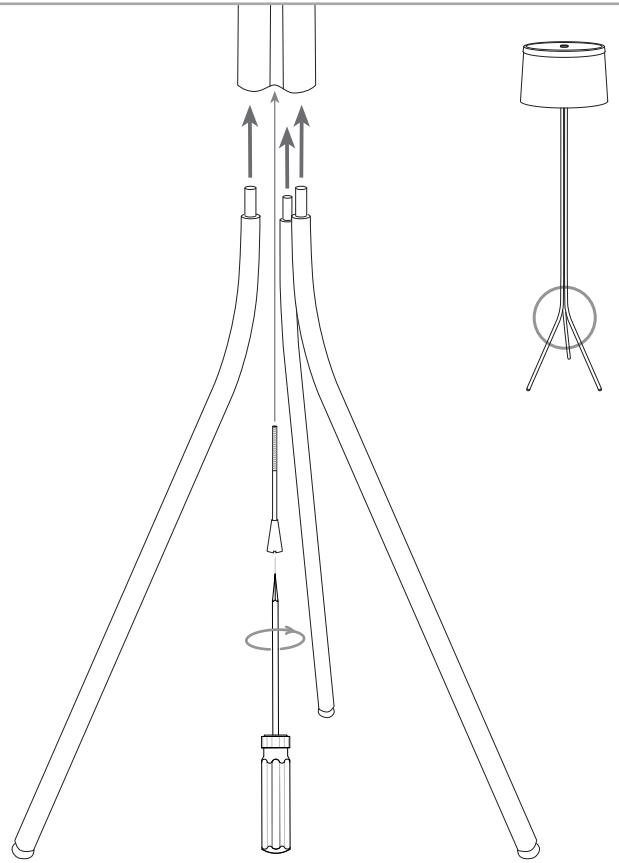




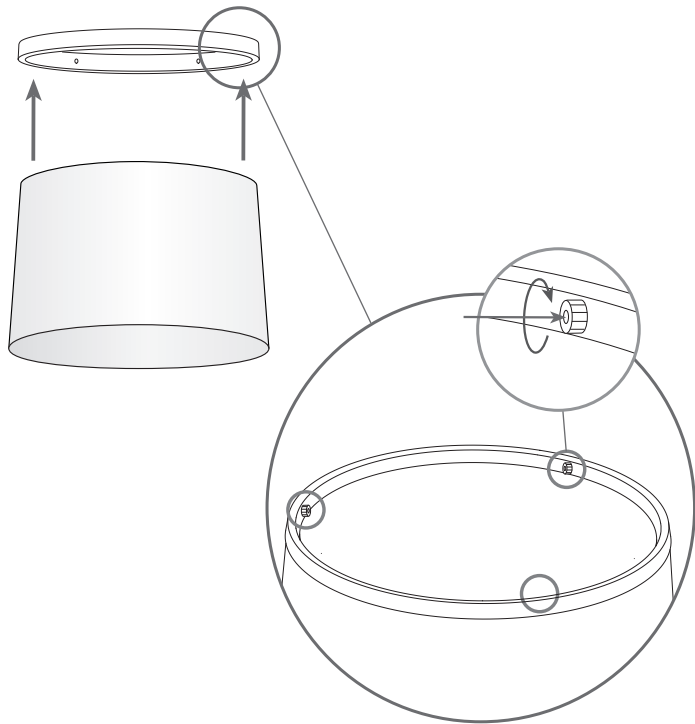
1



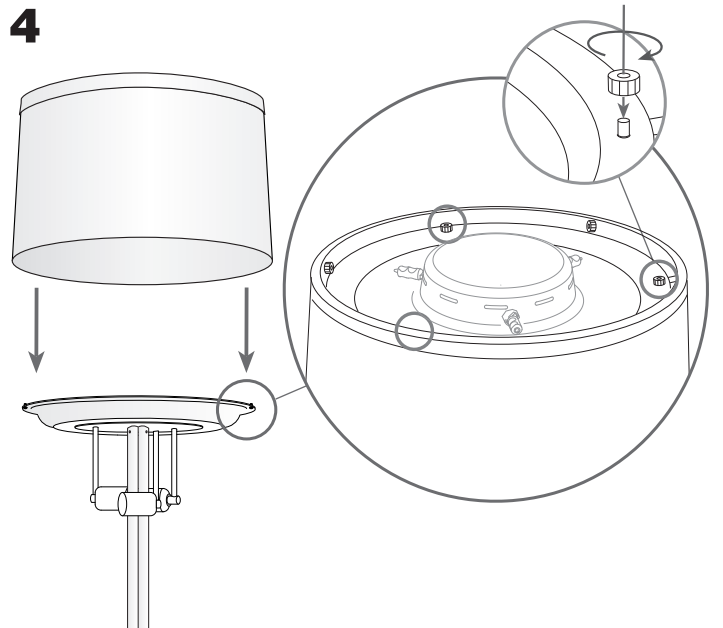
2



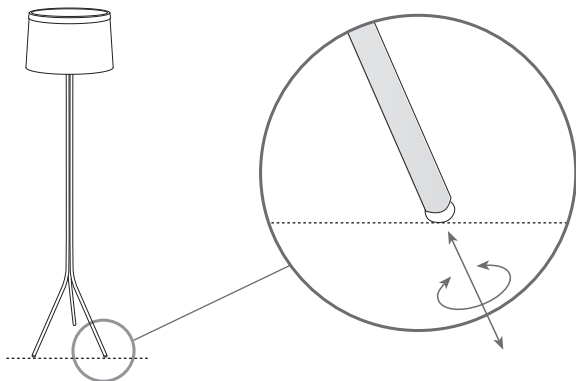
3



4



5



6

