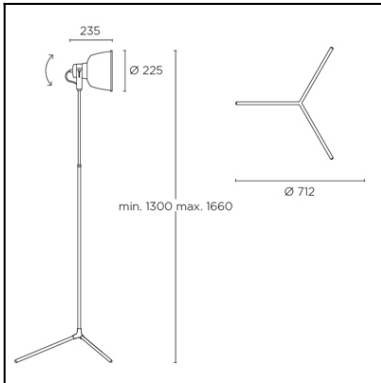
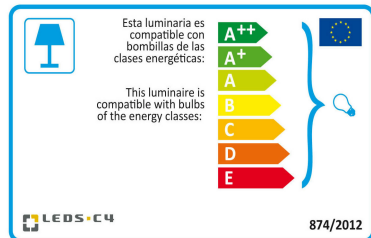




The photograph may not match the reference exactly. Please read the product description to identify the finish.



[Download photometric file .ldt / .ies](#)



[Click on image to download energy label](#)

TECHNICAL CHARACTERISTICS

Type:	Floor lamp
Adjustable:	Adjustable $\pm 180^\circ$ on the vertical axis
IP Protection degrees:	IP20
Light source 1:	1 x E27 max. 100W Maximum lamp length: 175.00 mm Maximum lamp diameter: 85.00 mm
Voltage / Frequency:	220-240V/50-60Hz
Warranty (Years):	2
Units per box:	2
Net Weight (Kg):	1.92
EAN:	8435111091135
Stability:	10°



MATERIALS / FINISHES

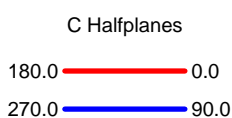
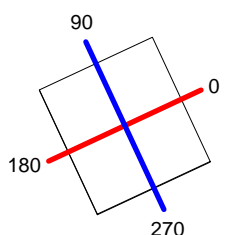
Structure material: Steel

Structure finish: Urban grey
Chrome

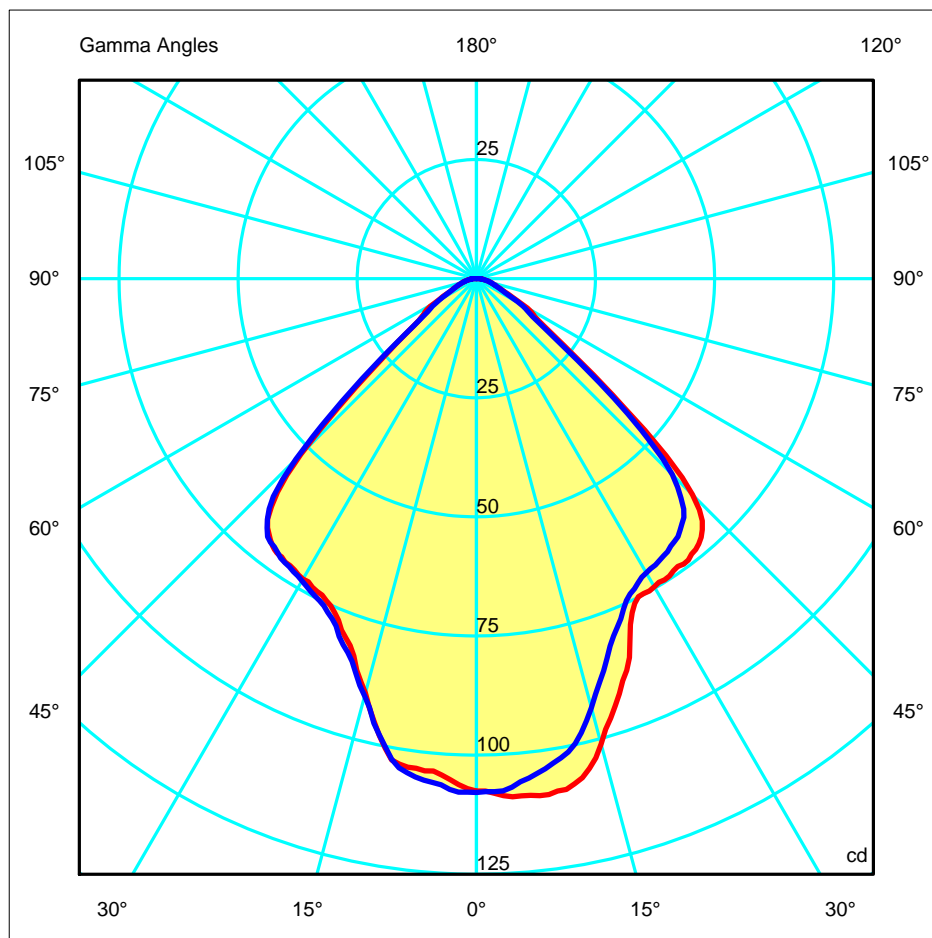
Luminaire		Measur.		Lamp		
Code	25-0240	Code	25-0240	Code	INCANDESCENT	
Name	PENDANT LAMP	Name	PENDANT LAMP	Number	1	
Line	Eulumdat	Date	16-11-2013	Position		
Efficiency	33.33%	Coordinate system	CG	Total Flux	550.00 lm	
Maximum value	109.34 cd	Position	C=0.00 G=8.00	Asymmetrical		
Rectangular Luminaire	Length	220 mm	Width	200 mm	Height	1 mm
Rectangular Luminous Area	Length	220 mm	Width	200 mm	Height	0 mm
Horizontal Luminous Area	0.044000 m2	Emitting area on Plane 180°		0.000000 m2		
Emitting area on Plane 0°	0.000000 m2	Emitting area on Plane 270°		0.000000 m2		
Emitting area on Plane 90°	0.000000 m2	Glare area at 76°		0.010645 m2		
Symmetry Type	Asymmetrical	Maximum Gamma Angle		90		
Measurement Distance	0.00	Measurement Flux		550.00 lm		
Operator		Source voltage				
Temperature	25.00 °C	Source current				
Humidity	60.00 %	Photocell				
Notes						

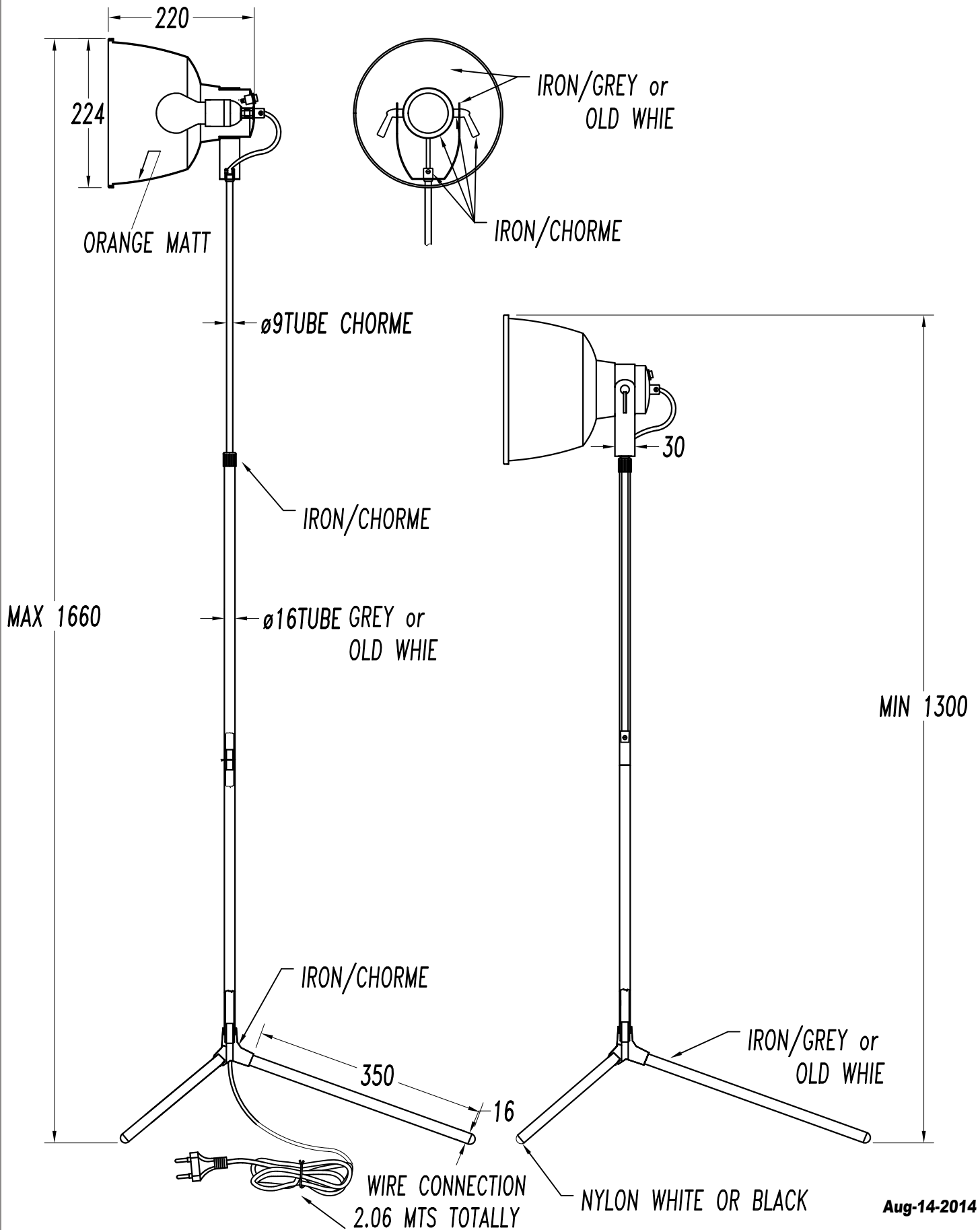
Luminaire Lamps						
Line	Code	Name	Flux [lm]	Pow. [W]	Q.ty	
Eulumdat	INCANDESCENT	INCANDESCENT - 56.70 W	550.00	56.70	1	
C.I.E.	67 94 99 100 33	D DIN 5040		A50		
F UTE	0.33 C	B NBN		BZ 2		

220mm x 200mm

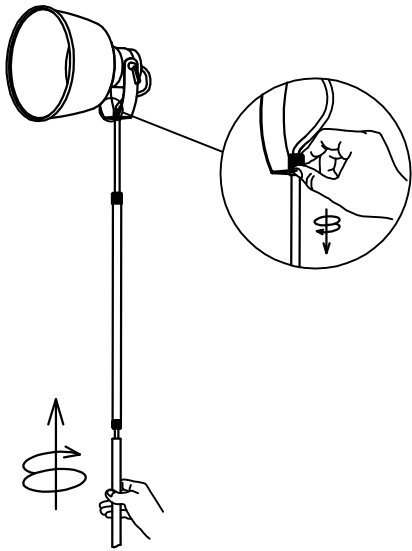


ULOR 0.00 %
 DLOR 33.33 %
 RN 0.00 %

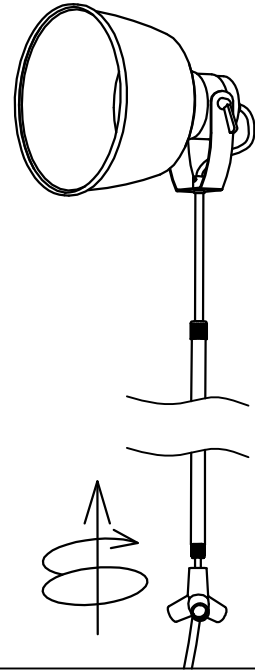




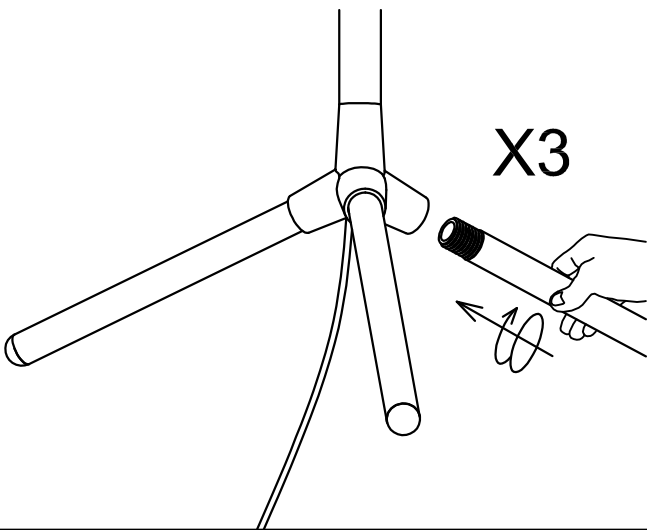
1



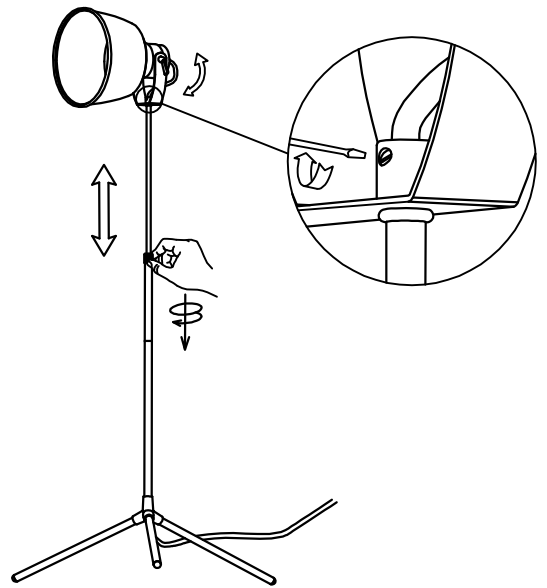
2



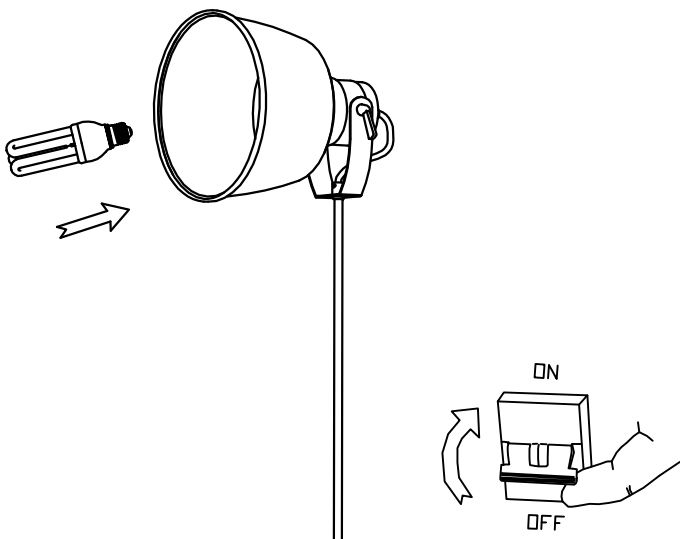
3



4



5



6

