



LED EcoMax Ceiling Module

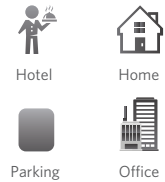
Features

- High quality magnetic mount
- Optimized lens design
- Instant on, zero light run up
- Energy efficient

Benefits

- Easily replace circular fluorescent lamps with LED
- Uniform light in ceiling lamps, no dark spots
- 100% of light produced instantaneously, no wait time in winter
- Up to 60% energy savings compared to conventional circular fluorescent lamp

Application



Specification

Product Description	Power (W)	Power Factor	Lumen (lm)	Efficacy (lm/W)	CRI	CCT (K)	Average Lifetime(hrs)	Energy Level
LED-E-C module-9W-5700K	9	0.5	1000	110	80	5700	15000	A+
LED-E-C module-13W-5700K	13	0.5	1400	108	80	5700	15000	A+
LED-E-C module-16W-5700K	16	0.5	1750	109	80	5700	15000	A+

Application Conditions

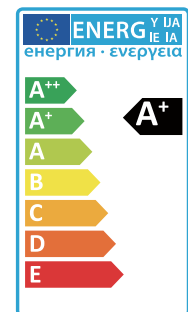
IP	20
Operating Temperature	-10~45°C
Application Temperature	25°C
Storage Environment	-25~50°C

Mechanical and Finishing Properties

Optical Material	PC
Housing Material	PC
Finishing Colour	White

Electrical supply

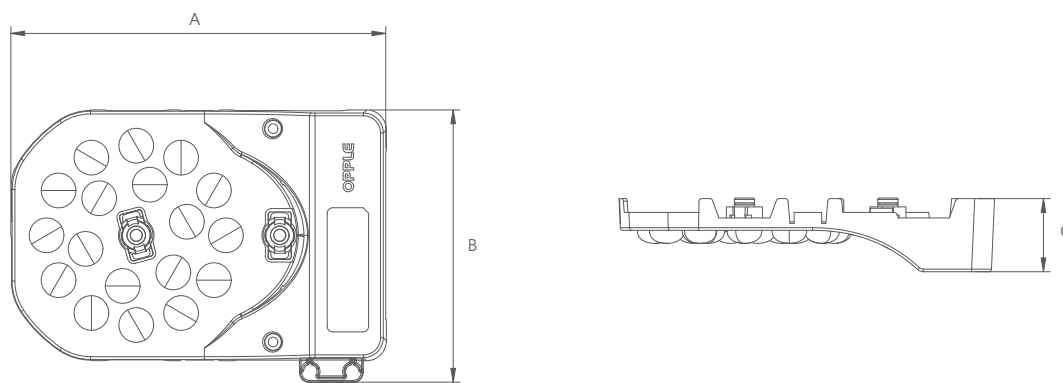
Frequency (Hz)	50/60Hz
Voltage (V)	220V-240V
AC/DC	AC



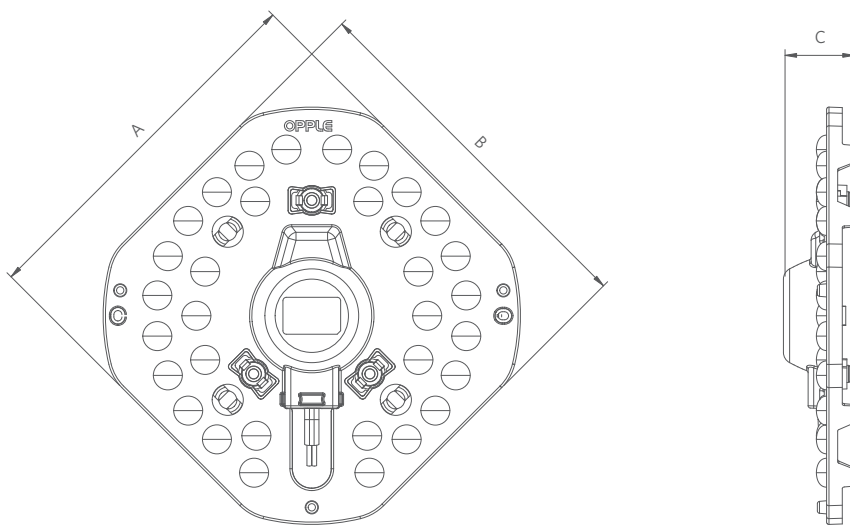
Packaging Information

Product Description	Single Box(1pc/box)		Packaging Unit		
	Dimensions(mm) (HxWxL)	Gross Weight (kg)	Dimensions(mm) (HxWxL)	Gross Weight (kg)	Packing QTY (pcs/CTN)
LED-E-C module-9W-5700K	28x106x138	0.114	125x290x300	2.28	20
LED-E-C module-13W-5700K	32x162x162	0.194	180x340x340	3.88	20
LED-E-C module-16W-5700K	32x162x162	0.194	180x340x340	3.88	20

Dimensional Drawing



9W



13W/16W

	9W	13W/16W
A (mm)	136	162
B (mm)	99	162
C (mm)	27	30

OPPLE SHANGHAI OFFICE
1999 Zhangheng Road, Building 3
Shanghai 201203 China

T +86 21 3855 0000
E intersales@opple.com

OPPLE.COM