



V16

Adjustable Photocell

Key Features

- Very low power consumption
- Integral detector
- Easily adjustable lux setting
- Switching delay to prevent 'spurious switching'
- Durable polycarbonate casing
- Suitable for use with LED, halogen or discharge lighting

Applications

- Residential lighting
- Communal housing lighting
- Amenity security lighting
- General lighting load switching at pre-determined lux levels

Comprising an integral detector within a compact, aesthetically appealing casing, the V16 adjustable photocell is ideal for controlling lighting in residential and communal housing settings.

Easy to install, the V16 adjustable photocell enables switch setting between 10 and 1000 lux, and incorporates a switching delay, indicated by a red LED, to ensure the load is not energised by temporary illumination (car headlights etc).

The photocell is housed within a sealed casing, ingress rated to IP54, for long lasting, reliable performance with virtually no maintenance.

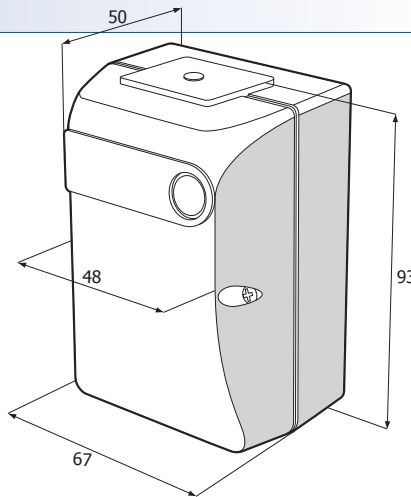


V16 Adjustable Photocell

Technical Specification

| Specification | Description |
|-----------------------------|--|
| Sensor type | Phototransistor |
| Sensor control | Discrete component |
| Switching levels | 10 to 1000 lux |
| Switching differential | 1:1.5 positive |
| Operating voltage range | 220-270 Vac, 50/60 Hz |
| Maximum lamp load | 2200 VA, 10 A resistive |
| Power consumption | 2.5 W |
| Operating temperature range | -20 °C to +45 °C |
| Ingress protection | IP54 |
| Approvals | RoHS compliant. CE marked and compliant with EMC emission and immunity standards |
| Dimensions L x W x D | 93 x 67 x 50 |

For product order codes or to discuss project requirements, please contact Thomas & Betts or your local representative.



Product selection

| | |
|--------------------|----------------------|
| Product | V16 |
| Description | Adjustable photocell |

Individual product order codes subject to final product specification. Codes can be supplied on request from Thomas & Betts. To discuss project requirements, please contact your local representative or Thomas & Betts on (0)113 281 0600.

Warranty of all Royce Thompson products is subject to the standard Thomas & Betts terms & conditions of sale.



FM09470



Royce Thompson is the leading photo-electronic lighting controls brand from Thomas & Betts, supporting the street and amenity lighting industry since 1963.

Continuous focus on the provision of high quality, innovative products to the market ensures Royce Thompson photocells offer the best in low energy consumption, reliability and long life - helping you, the customer, achieve optimum performance whilst keeping your carbon footprint to a minimum.