

SPOT LED

HIGH OUTPUT LED SPOT



PRODUCT DESCRIPTION:

SPOT LED is a technologically advanced, waterproof LED luminaire designed for the most demanding production and machining environments. With energy-efficient LED technology, proven quality and industrial grade design, SPOT LED provides years of maintenance-free illumination precisely where you need it. The luminaire offers both low-voltage and line-voltage connectivity options, as well as two beam angles for spot or flood lighting and precise beam distribution.

The SPOT LED housing is manufactured with hardened anodized aluminum, designed to withstand constant mechanical vibration, oil, coolants or debris and assuring reliable waterproof performance. Waldmann has designed optimal thermal management for this luminaire, insuring a long service life of the LED circuit board. Heat is radiated towards the back of the luminaire body, away from the light beam and operator. SPOT LED offers easy connectivity to any AC or DC 24V power supply, regardless of polarity. SPOT LED provides bright uniform light output with precise optical control.

FEATURES:

- Luminaire Diameter: 3in (76mm)
- High performance LED technology
- 50,000 hours maintenance-free operation
- Optional beam angles of 10° or 40°
- Low-voltage 24V AC or DC operation
- Waterproof models available up to IP67
- High resistance to coolants/lubricants
- Impervious to mechanical vibration
- Rugged aluminum housing
- Pivoting Head with magnetic base provides portable illumination

PRODUCT INFORMATION



PIVOTING HEAD



SURFACE MOUNT



FLUSH MOUNT



GOOSENECK ARM



ARTICULATING ARM

Voltage:

Lamping:

Operation:

Luminaire Body:

Lens Cover:

Protection Rating:

Beam Angles:

Luminaire Color:

Cord Length:

24V AC or DC, 100-240V, 50/60Hz

3 x 3W LED

Most models available with or without switch

Hard anodized aluminum

Borosilicate glass

IP40 - IP67 depending on model

10° or 40°

Black

10ft (3m)

For mounting options see page 41

ORDERING INFORMATION

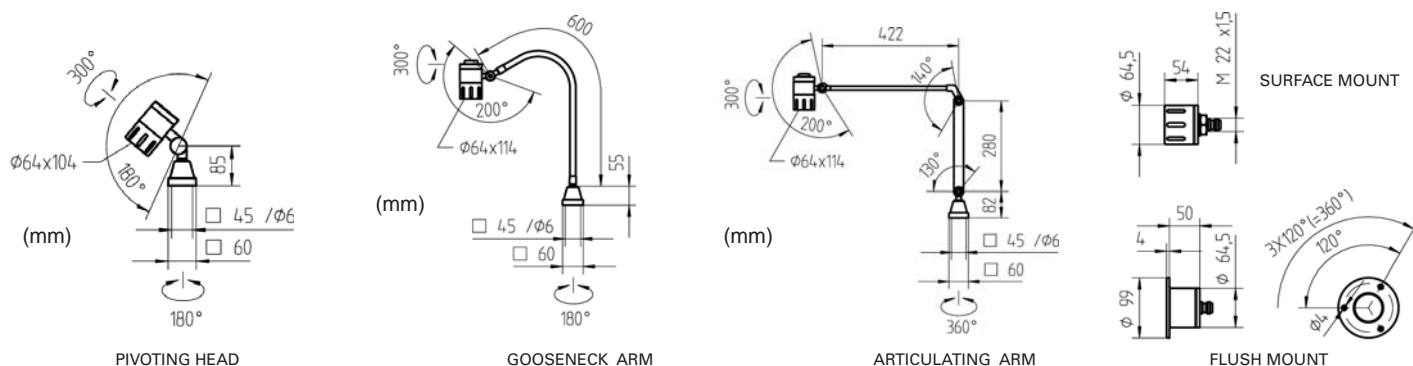
VERSION	VOLTAGE	BEAM ANGLE	100-240V TRANS.	SWITCH	IP RATING	MODEL	PART #
Pivoting Head	24V AC or DC	10°	No	No	IP67	MCXFL 3 S	112 459 004
Pivoting Head	24V AC or DC	40°	No	No	IP67	MCXFL 3 S	112 459 006
Pivoting Head	24V AC or DC	10°	No	Yes	IP65	MCXFL 3 S	112 459 001
Pivoting Head	24V AC or DC	40°	No	Yes	IP65	MCXFL 3 S	112 459 003
Pivoting Head	100-240V, 50/60Hz	10°	Yes	Yes	IP40 (IP65)*	MCXFL 3 N	112 459 007
Pivoting Head	100-240V, 50/60Hz	40°	Yes	Yes	IP40 (IP65)*	MCXFL 3 N	112 459 009
Gooseneck Arm	24V AC or DC	10°	No	Yes	IP65	MCTFL 3 S	112 462 001
Gooseneck Arm	24V AC or DC	40°	No	Yes	IP65	MCTFL 3 S	112 462 003
Gooseneck Arm	100-240V, 50/60 Hz	10°	Yes	Yes	IP40 (IP65)*	MCTFL 3 N	112 462 007
Gooseneck Arm	100-240V, 50/60 Hz	40°	Yes	Yes	IP40 (IP65)*	MCTFL 3 N	112 462 009
Articulating Arm	24V AC or DC	10°	No	Yes	IP65	MCBFL 3 S	112 463 001
Articulating Arm	24V AC or DC	40°	No	Yes	IP65	MCBFL 3 S	112 463 003
Articulating Arm	100-240V, 50/60Hz	10°	Yes	Yes	IP40 (IP65)*	MCBFL 3 N	112 463 007
Articulating Arm	100-240V, 50/60Hz	40°	Yes	Yes	IP40 (IP65)*	MCBFL 3 N	112 463 009
Surface Mount	24V AC or DC	10°	No	No	IP67	MCAYL 3 S	112 461 001
Surface Mount	24V AC or DC	40°	No	No	IP67	MCAYL 3 S	112 461 003
Flush Mount	24V AC or DC	10°	No	No	IP67	MCEYL 3 S	112 460 001
Flush Mount	24V AC or DC	40°	No	No	IP67	MCEYL 3 S	112 460 003

EXTERNAL OPERATING DEVICES

Required for 120-277V operation

MAX WATTAGE	OUTPUT	VOLTAGE RANGE	PART #
20W	24V DC	120-240V, 50/60Hz	209 585 029
50W	24V DC	120V, 50/60Hz	209 585 030
75W	24V DC	120-277V, 50/60Hz	209 585 031
30W Plug-in	24V DC	100-240V, 50/60Hz	309 414 040

DIMENSIONAL DATA



* IP40 (IP65) indicates IP40 rating for transformer, IP65 rating for luminaire