

Benefits

- Compact integrated lighting solution that facilitates easy installation and maintenance
- High luminous efficacy up to 120lm/W
- Anti-glare control (micro-prismatic diffuser) provides stress free ambience light, UGR<19
- More versatility with the adjustable CCT feature
- Seamless 1-10v dimming

Application



Model	Item Description	W	PF	lm	lm/W	mA	Ⓜ	Single Box Dimensions (LxWxH)mm	Outer Box Dimensions (LxWxH)mm	Packing Qty (PCS/CTN)
MQL3035DM-38W-BLP-SQ595	PROV1 BLP 38W SQ595 ACT DIM	38	0.9	4560	120	190	50000	625*45*645	645*175*665	4
MQL3035DM-38W-BLP-RE295	PROV1 BLP 38W RE295 ACT DIM	38	0.9	4560	120	190	50000	1245*45*325	1290*175*350	4
MQL3035DM-52W-BLP-RE595	PROV1 BLP 52W RE595 ACT DIM	52	0.9	6240	120	260	50000	1245*45*645	1290*175*665	4

ACT = Adjustable Color Temperature (3000K | 4000K | 6500K)

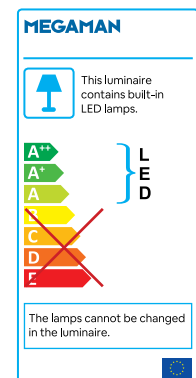
Technical Specifications	
CRI	80
Colour Consistency (SDCM)	≤6
Dimmable	Yes
Housing Colour	Ivory
IP	IP20
IK	IK02
Driver integrated (Yes/No)	No
Glow wire test	650 C
Driver failure rate	1% at 5000h
Weight (pc/kg)	/

Electrical Supply	
Frequency (Hz)	50/60Hz
Voltage (V)	220V-240V
AC/DC	AC

Mechanical Properties	
Optical Material	Micro-Prismatic Diffuser (PC)
Housing Material	AL 6063

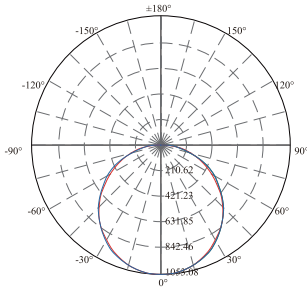
Application Conditions	
Operating Temperature	-20 C ~40 C
Application Temperature	25 C
Storage Environment	-25 C ~50 C

CE CB

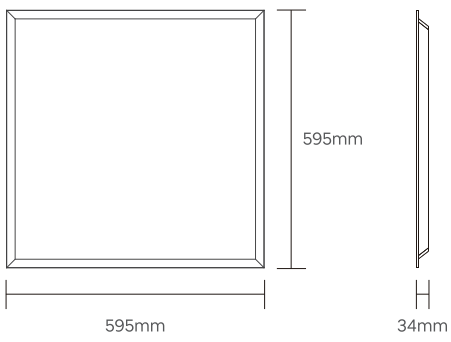


Photometric Data

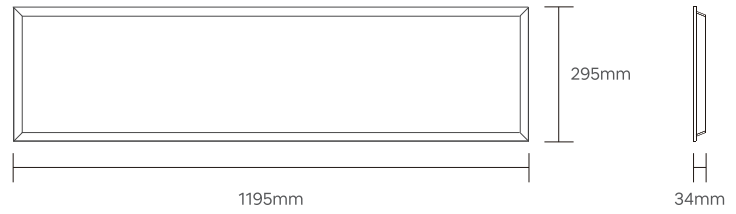
SQ595



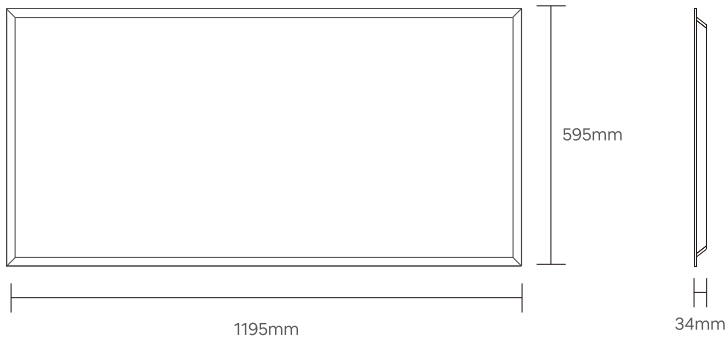
Dimensional Drawing



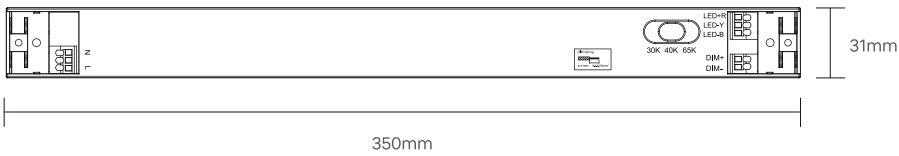
SQ595



RE295






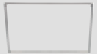


RE595



LED Driver

Accessories

Photo	Item Description	Single Box Dimensions (LxWxH)mm	Outer Box Dimensions (LxWxH)mm	Packing Qty (BAG/CTN)
	PROV1 BLP SUSPENSION KIT 4 WIRE	/	470*250*260	150
	PROV1 BLP SUSPENSION KIT 6 WIRE	/	470*250*260	150
 4PCS/BAG	PROV1 BLP RECESSED CLIPS	/	685*420*350	250
	PROV1 BLP SM KIT SQ595	80*80*670	685*420*350	20
	PROV1 BLP SM KIT RE295	80*80*1270	1285*420*190	10
	PROV1 BLP SM KIT RE595	80*80*1270	1285*420*190	10

All pictures shown are for illustration purpose only. Actual product may vary due to product enhancement.

38W Driver Information

Model	LB038QV-800CY
Pn	38W
Pout	34W
Un	220-240V~
Uout	63V Max
In	0.179A
Iout	0.8A
Fn	50/60Hz
Ta	-20...+40°C
PF	0.9
Tc	75°C

52W Driver Information

Model	LB052RA-900CY
Pn	52W
Pout	45W
Un	220-240V~
Uout	68V Max
In	0.242A
Iout	0.9A
Fn	50/60Hz
Ta	-20...+40°C
PF	0.9
Tc	75°C