



SpotClip-Plate - Further Accessories

SpotClip-Caps

SpotClip-Plate can be used to ensure the safety distance between the downlight and insulation material. We offer three different solutions to prevent damage to insulation material caused by overheating of the bulb.

1. Place two plates on top of each other and use IRL standard tubes between these to achieve the required distance
2. Use SpotClip-Caps and IRL standard tubes to achieve the required distance between the plate and insulation material
3. Combine SpotClip-Kit with SpotClip-Plate for a fast solution

Features and benefits

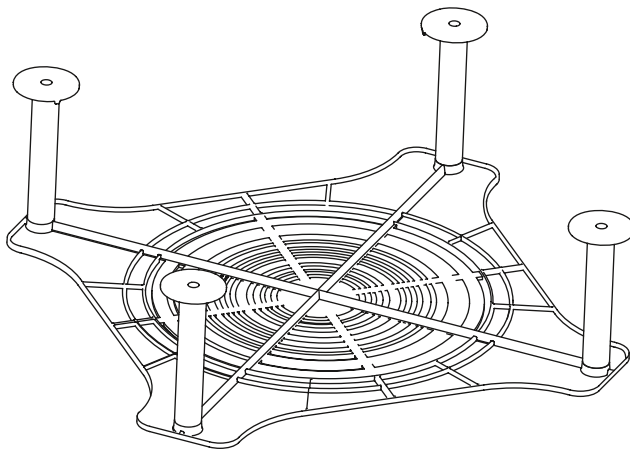
- Different solutions to ensure safety distance between downlight, damp-proof foil and insulation material
- SpotClip-Plate can be combined with SpotClip-Kit, SpotClip-Caps or placed on top of each other with IRL standard tubes to ensure the required distance
- Prevents damage to insulation material caused by overheating
- Improves life span and reliability of lamps
- Faster and easier installation and replacement of bulbs



SpotClip-Plate with insulation material - Plate-to-Plate solution.



SpotClip-Plate combined with SpotClip-Caps.



SpotClip-Plate in combination with IRL standard tubes and SpotClip-Caps



SpotClip-Plate combined with SpotClip-Kit, shown with insulation material.

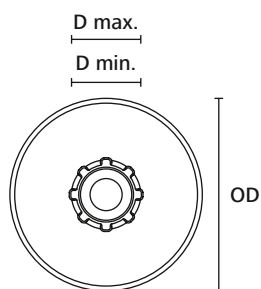


SpotClip-Plate - Further Accessories

SpotClip-Caps



SpotClip-Caps offered in a pack of 40 pieces.



SpotClip-Cap

MATERIAL	Polyamide 6.6, heat stabilised (PA66HS)
Operating Temperature	-40 °C to +105 °C
Flammability	UL 94 V2, self-extinguishing, Glow Wire Test (GWT) 960° C



TYPE	Outside Ø (OD)	Ø D min.	Ø D max.	Colour	Pack Cont.	Article-No.
SpotClip-Caps 16/25	60.0	16.0	22.0	Black (BK)	40 pcs.	148-00102

All dimensions in mm. Subject to technical changes.
Minimum Order Quantity (MOQ) may differ from package content.