



LED IP20 Batten

High performance slimline LED Batten luminaires



The new integrated **LED IP20 Batten** is a High Performance range of luminaires. They are designed to replace traditional T8 batten fixtures and are available in Single versions at 600mm, 1200mm, 1500mm and 1800mm.

LED IP20 Batten delivers high performance with up to 2900 lumen output and up to 122lm/W efficiency in the Single version.

The **LED IP20 Batten** is slimline and versatile and provides an ideal solution for interior applications such as kitchens, living rooms, corridors, workshops and garages.

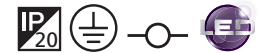
A quick installation is guaranteed through push-in design of the housing and easy wiring connectors, with no screwdriver needed. **LED IP20 Batten** is available in neutral white (4000K), with a Twin version coming soon.

LED IP20 Batten

High performance slimline LED Batten luminaires

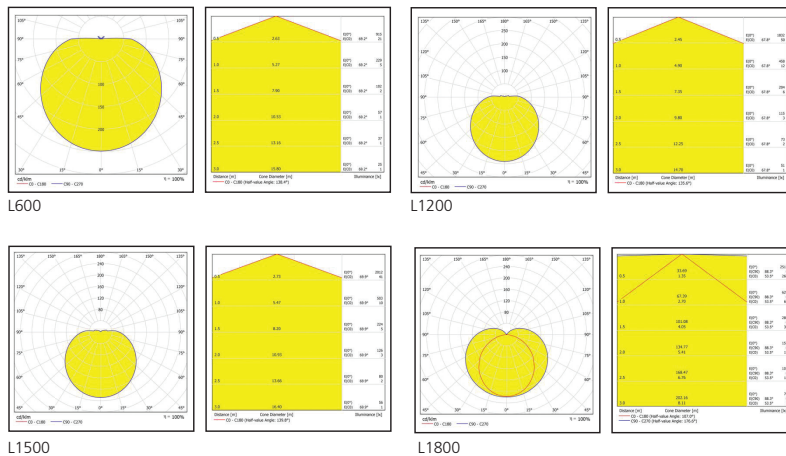
FEATURES

- 8W, 16W, 18W and 24W LED batten luminaires
- Impressive performance, up to 2900lm
- Highly efficient - with up to 122lm/W
- Available in neutral white (4000K)
- Quick installation through push-in design of the housing and ease wiring connectors, no screwdriver needed
- Available in white finish
- A slimline and versatile design
- LED technology provides energy efficient solution and reduced maintenance costs with 25,000 hours lifetime
- Energy class: A++, A+, A

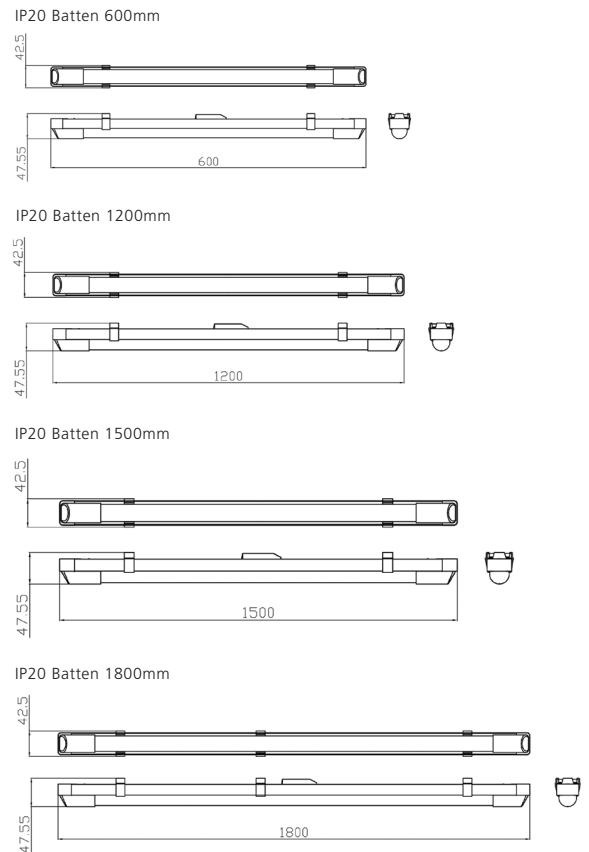


Item number	Description	Voltage (V)	Watt (W)	Lumen	Efficiency (lm/w)	Beam Angles (°)	CRI	Color Temp. (K)	IP rating	IK Rating	Housing Color	Length (mm)	Width (mm)	Height (mm)	Lifetime (Hrs)
0045158	LED IP20 BATTEN L600 SINGLE	220-240	8	920	115	175	80	4000	IP20	IK02	white	600	42.5	47.55	25000
0045159	LED IP20 BATTEN L1200 SINGLE	220-240	16	1900	120	175	80	4000	IP20	IK02	white	1200	42.5	47.55	25000
0045160	LED IP20 BATTEN L1500 SINGLE	220-240	18	2200	122	175	80	4000	IP20	IK02	white	1500	42.5	47.55	25000
0045161	LED IP20 BATTEN L1800 SINGLE	220-240	24	2900	122	175	80	4000	IP20	IK02	white	1800	42.5	47.55	25000

Photometric data



Dimensions (mm)



www.feilosylvania.com

T: F:
Email:

Although every effort has been made to ensure accuracy in the compilation of the technical detail within this publication, specifications and performance data are constantly changing. Current details should therefore be checked with Feilo Sylvania Europe Limited.

by **FEILO SYLVANIA**