



it's cool to be safe
explosion proof solution for the global market



CGA
CG - CGF
CGI - CGL - CGV
CGP
PLP - LNP
CGAW
CGW
CGPW
PLH - PLR
RAA - RAB - RAM - RAN
BFF - RFF
BMF - RMF
BMM - RMM
EYS - EZS
SND - SBD
FG - ET - LN - SH - SHA

it's cool to be safe
explosion proof electrical equipment



SUPER CONNECT

The equipment we introduce in this catalogue are designed to satisfy most of our clients' requirements to CONNECT explosion proof electrical equipment.

All equipment are manufactured using materials able to resist in most highly corrosive environment and to ensure a modern functionality solution and a long duration of investment.



CGP - PLP - LNP

The cable glands and plugs are normally installed in the chemical and petrochemical plants, off-shore platforms, refineries and any other industry where hazardous atmospheres (gas and combustible dust) are potentially present.

The whole series are designed to allow direct entry of unarmoured cables into Ex e and Ex i enclosures to provide any electrical connection with external circuits.



Function

The CGP series cable glands are equipped with a sole gasket covering all the installation requirements on Ex e and Ex i enclosures and are suitable for Zone 1 - 21 (gas) and Zone 2 -22 (dust).

The cable glands to be used with circuit Ex i can be requested with pressure cap painted light blue.

The PLP series plugs are normally installed on Ex e and Ex i enclosures to protect the internal equipment by the penetration of liquids and dust before the installation of cable glands. They also allow the presence of spare hubs on the enclosure to be used in case of future expansions.

Both CGP cable glands and PLP plugs must be secured with internal locknut model LNP.

Construction

The materials used to manufacture the cable glands and plugs have been studied to grant the maximum protection against the highly corrosive agents present in these industries.

They are made of polyamide according to EN 50262 and are suitable for ambient temperature -20°C +80°C with a flammability resistance V2 according to UL 94.

Upon request it is available also in the version with thread PG DIN 40430.



Protection

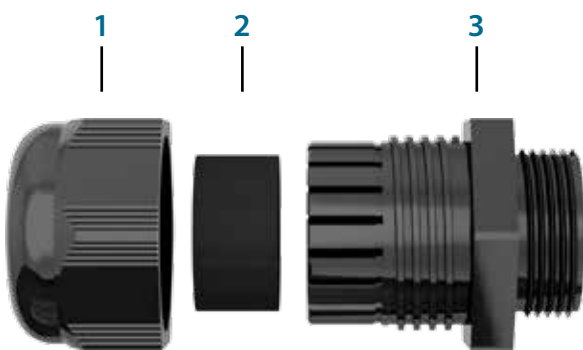
certificate number:	IMQ 08 ATEX 012 X	TC RU C-IT.AA87.B.00509
marking:	Ex II 2GD Ex e IIC Gb - Ex i IIC Gb - Ex tb IIIC Db	
ambient temperature:	-40°C +95°C	
degree of protection:	IP66 / IP68	
conformity:	Directive ATEX 2014/34/EU	TP TC 012/2011
standards:	IEC-EN60079-0 IEC-EN60079-7 IEC-EN60079-11 IEC-EN60079-31	ГОСТ 31610.0 ГОСТ Р МЭК 60079-7 ГОСТ 31610.11 ГОСТ Р МЭК 60079-31
category:	suitable for Zone 1 - 21 (gas) and Zone 2 - 22 (dust)	



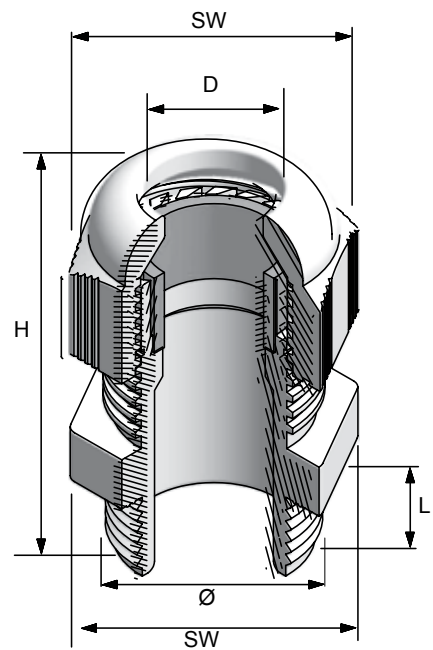
CGP series
cable glands for unarmoured cables



Code	Ø Metric	D		H min	L min	SW
		min	max			
CGP 01	M16 x 1.5	3	7	43	15	22
CGP 1	M20 x 1.5	6	12	44	15	24
CGP 12	M20 x 1.5	10	14	46	15	27
CGP 2	M25 x 1.5	13	18	50	15	33
CGP 3	M32 x 1.5	18	25	58	18	42
CGP 4	M40x 1.5	22	32	67	18	53
CGP 5	M50 x 1.5	30	38	67	18	60
CGP 6	M63 x 1.5	34	44	67	18	65



Item	Description
1	CAP
2	SEAL
3	BODY

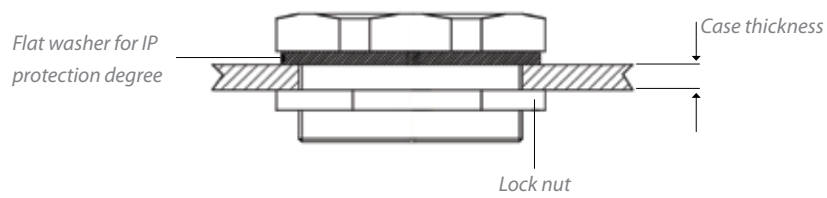




PLP series
male plugs with external hexagon



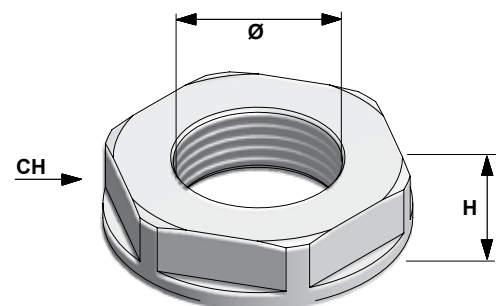
Code	Ø Metric	H min	L min	CH
PLP 01	M16 x 1.5	10	15	19
PLP 1	M20 x 1.5	10	15	23
PLP 2	M25 x 1.5	10	15	28
PLP 3	M32 x 1.5	15	20	36
PLP 4	M40 x 1.5	18	27	46
PLP 5	M50 x 1.5	18	27	55
PLP 6	M63 x 1.5	18	27	69



LNP series
locknut



Code	Ø Metric	H min	CH
LNP 01	M16 x 1.5	5	22
LNP 1	M20 x 1.5	6	26
LNP 2	M25 x 1.5	6	32
LNP 3	M32 x 1.5	7	41
LNP 4	M40 x 1.5	7	50
LNP 5	M50 x 1.5	8	60
LNP 6	M63 x 1.5	8	75





Ordering Tables

Thread Type	N	M	P	BP	BT	G
02	1/4"	12	-	1/4"	1/4"	1/4"
01	3/8"	16	-	3/8"	3/8"	3/8"
1	1/2"	20	7	1/2"	1/2"	1/2"
2	3/4"	25	9	3/4"	3/4"	3/4"
Thread Size	3	1"	32	11	1"	1"
	4	1"1/4	40	13,5	1"1/4	1"1/4
	5	1"1/2	50	16	1"1/2	1"1/2
	6	2"	63	21	2"	2"
	7	2"1/2	75	29	2"1/2	2"1/2
	8	3"	90	36	3"	3"
	9	-	-	42	-	-
10	4"	110	48	4"	4"	

Thread Type	Code	Description
Thread Type	N	NPT - ANSI ASME B1.20.1
	M	Metric Pitch 1.5 - ISO 262
	P	PG - DIN 40430
	BP	BSPP - ISO 228/1
	BT	BSPT - ISO 228/1
	G	GAS ISO 7/1

Material	Code	Description
Material	B	Brass
	N	Nickel-Plated Brass
	P	Polyamide
	G	Galvanized Steel
	S	Stainless Steel

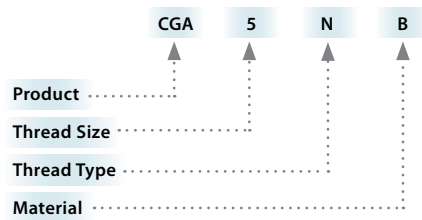




Ordering Codes

How to order :

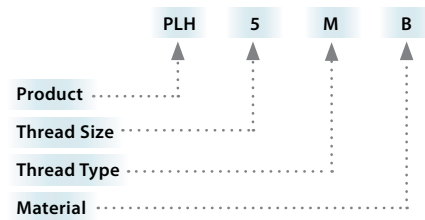
CABLE GLANDS :



Example above code:

- Product: Cable Gland for Armoured Cable
- Thread Size and Type: 1" 1/2 NPT
- Material: Brass

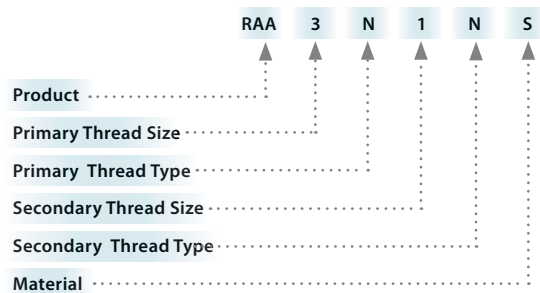
PLUGS :



Example above code:

- Product: Plugs with external hexagon
- Thread Size and Type: M50 x 1.5
- Material: Brass

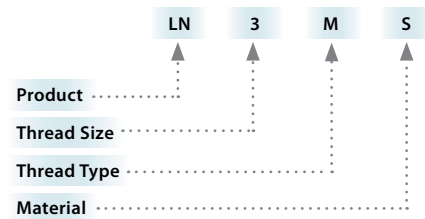
ADAPTORS / REDUCERS :



Example above code:

- Product: Adaptor (reducer) MALE - FEMALE
- MALE Thread Size and Type: 1" NPT
- FEMALE Thread Size and Type: 1/2" NPT
- Material: Stainless Steel

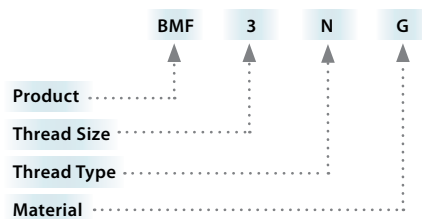
ACCESSORIES :



Example above code:

- Product: Locknut
- Thread Size and Type: M32 x 1.5
- Material: Stainless Steel

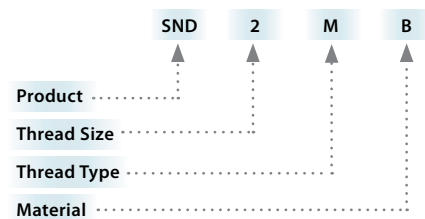
THREE-PIECES UNIONS :



Example above code:

- Product: Male - female three pieces union
- Thread Size and Type: 1" NPT
- Material: Galvanized steel

SEALED NIPPLES :



Example above code:

- Product: Sealed Nipple
- Thread Size and Type: M25 x 1.5
- Material: Brass



INDEX

Code	Descriptions	Page
Ex d - Ex e Metal Cable Glands		
CGA	cable glands for armoured cables	08-09
CG	cable glands for unarmoured cables	10
CGF	cable glands for unarmoured cables - conduit protected	11
CGI	cable glands for unarmoured cables - conduit protected	12
CGL	cable glands for unarmoured cables - conduit protected	13
CGV	cable glands for unarmoured cables - conduit protected	14
Ex e - Ex i Polyamide Cable Glands		
CGP	cable glands for unarmoured cables	18
PLP	male plugs - external hexagon	19
LNP	locknuts	19
Industrial Cable Glands		
CGAW	metal cable glands for armoured cables	22
CGW	metal cable glands for unarmoured cables	23
CGPW	polyamide cable glands for unarmoured cables	24
Ex d - Ex e Adaptors & Plugs		
PLH	male plugs - external hexagon	28
PLR	male plugs - recessed hexagon	29
RAA	RAA - male-female reducers & adaptors	30
RAB	male-female enlargers & adaptors	32
RAM	female-female couplings & adaptors	34
RAN	male-male nipples & adaptors	36
Ex d three-piece unions		
BMF - RMF	female-female three-piece unions	40
BFF - RFF	male-female three-piece unions	41
BMM - RMM	male-male three-piece unions	42
Sealing fittings		
DY62/N363	sealing compound	45
EYS	vertical sealing fittings	46
EZS	horizontal - vertical sealing fittings	47
Ex d - Ex e Sealed nipple / bushing		
SND	sealed nipples	50
SBD	sealed bushings	51
Accessories		
FG	gaskets	52
ET	earth tags	52
LN	locknuts	52
SH - SHA	PVC shrouds	52