



**it's cool to be safe**  
*explosion proof solution for the global market*

**Supermec**  
explosion proof electrical equipment





EV - EW  
EWL  
FLDE  
FL - FLL - FLP  
LFE / LFEE - P  
LLE / LLEE - P  
LLE / LLEE - S  
LLE / LLEE - M  
LFN - P  
LLN - P  
LLEX 3P

**it's cool to be safe**  
explosion proof electrical equipment



## **SUPER LIGHT**

The equipment we introduce in this catalogue are designed to satisfy most of our client's requirements to LIGHT up hazardous areas using our explosion proof electrical equipment.

All equipment are manufactured using the latest technologies, both mechanical and electrical, using materials able to resist in most highly corrosive environments and to ensure a modern functionality solution and a long duration of investment.

## FLDE

FLDE series floodlights are normally used in the chemical and petrochemical plants, off-shore platforms, refineries and any other industry where hazardous atmospheres (gas and combustible dust) are potentially present. The FLDE range has been designed to meet the main requirements of illumination of working areas.



## Function

FLDE series floodlights have a symmetric optic and are equipped with a complete range of control gears as Metal Halide, High Pressure sodium, Mercury Vapour and Halogen so to satisfy different illumination requirements inside hazardous areas classified as Zone 1 and/or 21.

FLDE series floodlights are normally supplied with control gears operating at 230V - 50/60 Hz. As an option it can be available in different voltages through a transformer or a multi-voltage control gear unit. An integrated Ex e terminal box provides, through two cable entries, the loop-in loop-out wiring connection.

## Construction

The materials used to manufacture the FLDE series floodlights have been studied to grant the maximum protection against the highly-corrosive agents present in these industries:

- body and cover in copper-free aluminium
- external epoxy powder coating RAL 7001
- screws in stainless steel
- gasket on covers in silicone
- window in thermoresistant glass sealed with auto-leveling silicone

Special attention has been dedicated to reduce the heating:

the external back-side of housing is fully provided with cooling ribs to facilitate the heat outflow.



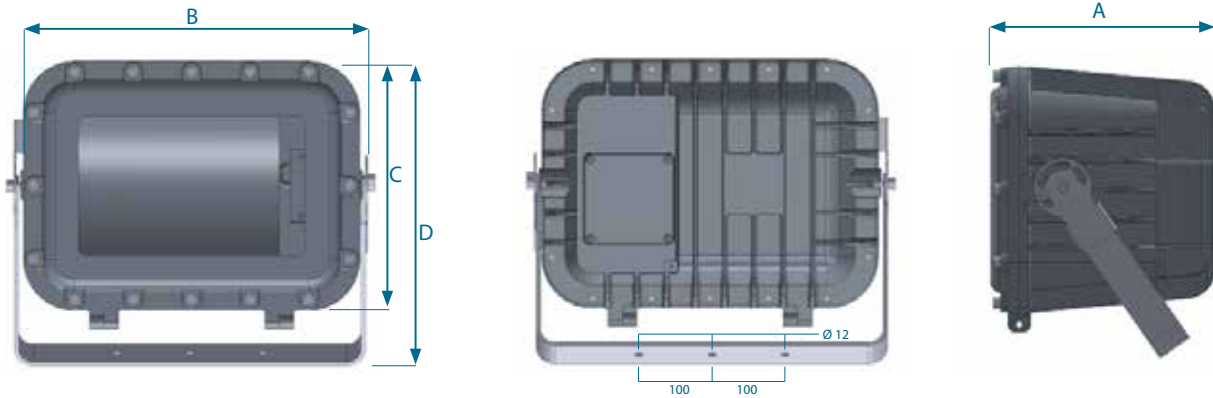
*Supermec, always pays special attention to installation requirements inside the plants. FLDE has a separated terminal box, connected to the control-gear through a factory-sealed passage, to facilitate the wiring work without the necessity to open the whole housing.*

## Protection

certificate number:	IECEX CML 16.0003X	IMQ 14 ATEX 018X
marking:	⊕ II 2GD Ex de IIB T2 / T3 Gb	Ex tb IIIC T200°C / T135°C Db
ambient temperature:	-20°C +50°C	
degree of protection:	IP66	
conformity:	Directive ATEX 2014/34/EU	
standards:	IEC60079-0 / IEC60079-1 / IEC60079-7 / IEC60079-31 EN60079-0 / EN60079-1 / EN60079-7 / EN60079-31	
category:	suitable for Zone 1 – 2 (gas) and Zone 21 – 22 (dust)	

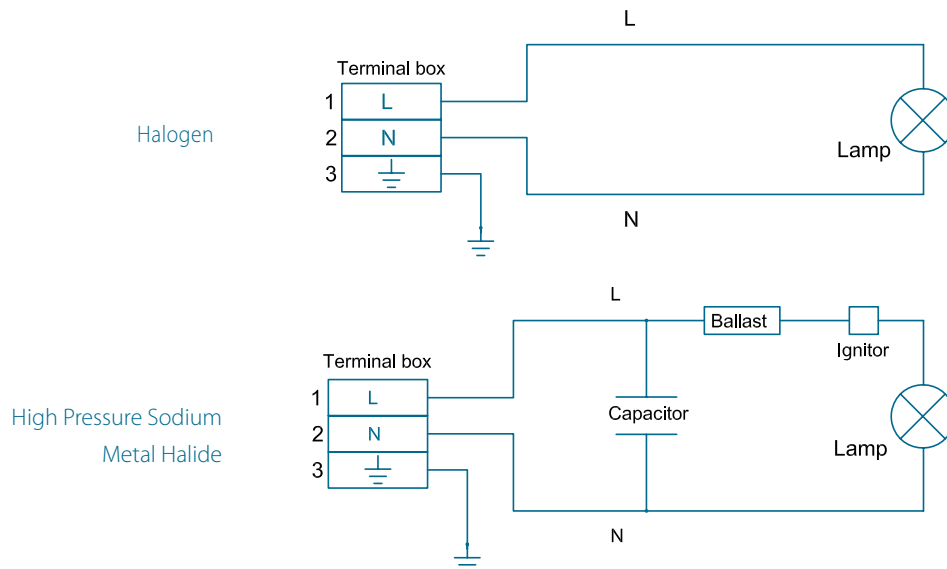


## Order Specifications



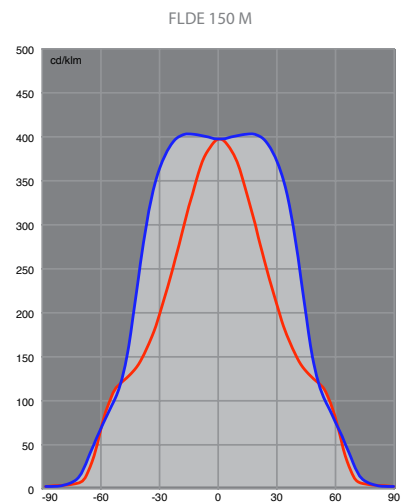
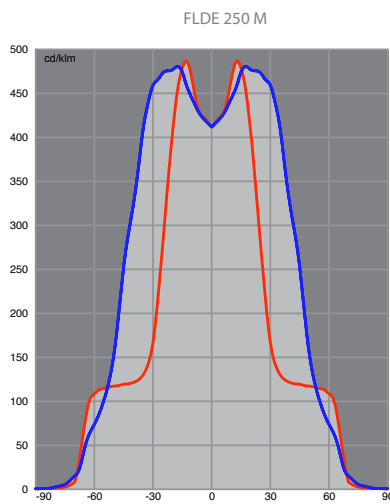
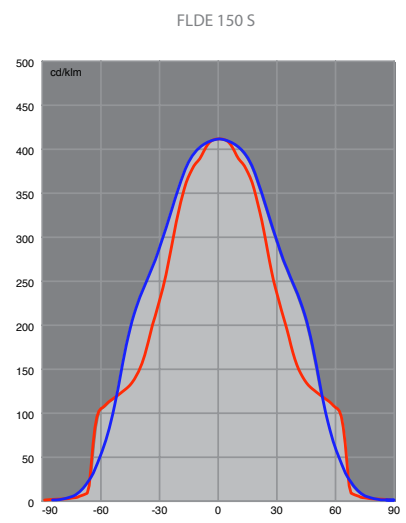
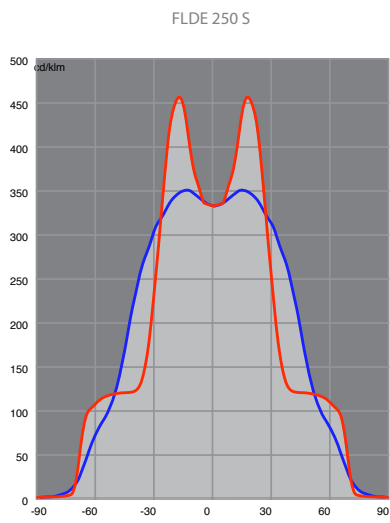
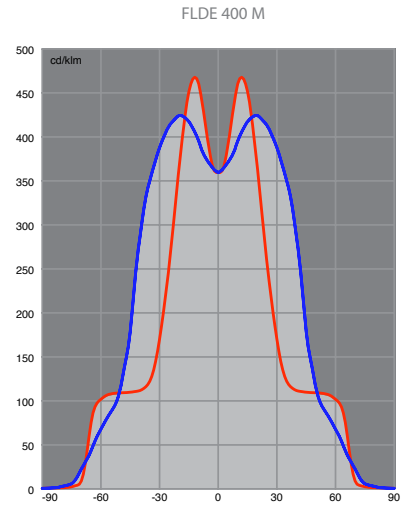
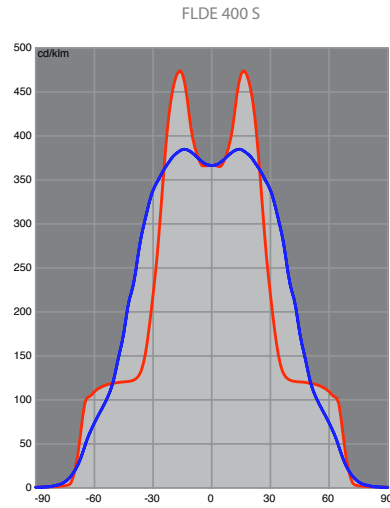
Code	Power	Lamp holder	Overall dimensions				Kg	Lamp	T class	
			A	B	C	D			+40°C	+50°C
FLDE 150 M	150 W	E27	342	500	365	550	27.80	metal halide	T4	T3
FLDE 150 S	150 W	E27	342	500	365	550	27.80	high pressure sodium	T4	T3
FLDE 250 M	250 W	E40	342	500	365	550	29.00	metal halide	T3	T3
FLDE 250 S	250 W	E40	342	500	365	550	29.00	high pressure sodium	T3	T3
FLDE 400 M	400 W	E40	342	500	365	550	30.30	metal halide	T3	T3
FLDE 400 S	400 W	E40	342	500	365	550	30.30	high pressure sodium	T3	T3
FLDE 500 H	500 W	E40	342	500	365	550	25,80	halogen	T2	T2

## Circuit Diagrams





## Polar Diagrams



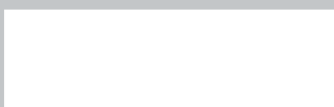
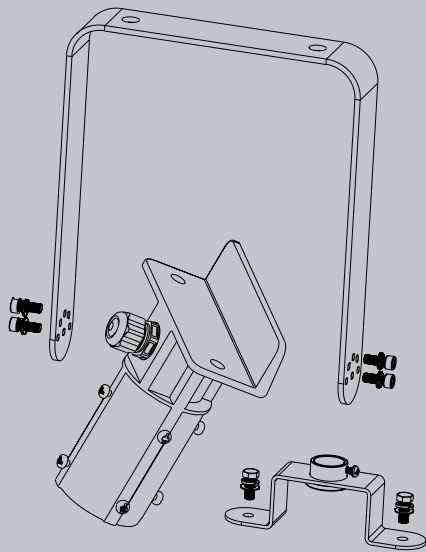




## ACCESSORIES AND SPARE PARTS EVA - EVB - EWA - EWB - EWL - FL - FLL - FLP

Mounting and Electrical accessories are available on request.

They have been divided into categories with a cross-reference table to recognize the models of Light Fittings where they can be used.





Code	Description	Material	EVA	EVAL	EVB	EVBL	EWA	EWB	EWL	FL	FLL	FLP	FLDE	Image
ULS 22G	Chain Support Set for Ceiling Mounting	G	X	X	X	X	X	X						
ULS 22S	Chain Support Set for Ceiling Mounting	S	X	X	X	X	X	X						
ULS 23G	Pendant Support Set for Ceiling Mounting	G	X	X			X							
ULS 23S	Pendant Support Set for Ceiling Mounting	S	X	X			X							
ULS 24G	Pendant Support Set for Ceiling Mounting	G			X	X		X						
ULS 24S	Pendant Support Set for Ceiling Mounting	S			X	X		X						
ULS 25G	Pipe Ø 3/4" - Lenght mtrs. 1,0 for Pendant Support Set	G	X	X	X	X	X	X						
ULS 25S	Pipe Ø 3/4" - Lenght mtrs. 1,0 for Pendant Support Set	S	X	X	X	X	X	X						
ULS 26G	Rigid Support Set for Ceiling Mounting / Pole Connection	G	X	X			X							
ULS 26S	Rigid Support Set for Ceiling Mounting / Pole Connection	S	X	X			X							
ULS 27G	Rigid Support Set for Ceiling Mounting / Pole Connection	G			X	X		X						
ULS 27S	Rigid Support Set for Ceiling Mounting / Pole Connection	S			X	X		X						
ULS 28G	U-Bolt Ø 1"1/2 for Rigid Support Set Pole Connection	G					X	X						
ULS 28S	U-Bolt Ø 1"1/2 for Rigid Support Set Pole Connection	S					X	X						
ULS 29G	Multi-Angle Bracket Support Set	G	X	X			X							
ULS 29S	Multi-Angle Bracket Support Set	S	X	X			X							
ULS 30G	Multi-Angle Bracket Support Set	G			X	X		X						
ULS 30S	Multi-Angle Bracket Support Set	S			X	X		X						
ULS 31G	Multi-Angle Bracket Support Set	G							X					
ULS 31S	Multi-Angle Bracket Support Set	S							X					
ULS 32G	Multi-Angle Bracket Support Set	G										X		
ULS 32S	Multi-Angle Bracket Support Set	S										X		
ULS 33G	Chain Support Set for Wall Mounting	G								X	X			
ULS 33S	Chain Support Set for Wall Mounting	S								X	X			
ULS 34G	Connection Set for Bracket Support to Pole Ø 2"	G								X	X		X	
ULS 34S	Connection Set for Bracket Support to Pole Ø 2"	S								X	X		X	