



it's cool to be safe
explosion proof solution for the global market

Supermec

explosion proof electrical equipment





GUA

CSD

GUB - A

GUBA - A

GUBA - S

EJB - A

EJB - S

ECS

UH - UP

CSE - A

CSE - P

CSE - S

WH - WP - WA

UVB - UVD

it's cool to be safe
explosion proof electrical equipment



SUPER CONTROL

The equipment we introduce in this catalogue are designed to satisfy most of our clients' requirements to CONTROL explosion proof electrical equipment.

All equipment are manufactured using the latest technologies, both mechanical and electrical, using materials able to resist in most highly corrosive environment and to ensure a modern functionality solution and a long duration of investment.



CSD 1 - 2 - S - W

The CSD series enclosures are normally used in the chemical and petrochemical plants, off-shore platforms, refineries and any other industry where hazardous atmospheres (gas and combustible dust) are potentially present.

The CSD series enclosures range has been designed to meet the main requirements of power distribution, monitoring and signaling, and other electrical functions inside the hazardous area of the plant.





Function

The CSD series enclosures are normally used for the following main applications:

- control stations;
- emergency call units;
- instrument housings;
- switches and changeover switches.
- lighting controls;
- circuit breakers;
- pulling boxes;
- electrical housings;

The bodies are available with two (CSDC or CSDU) or three (CSDY) hubs threaded 3/4"NPT as standard and 1/2" NPT or M20x1.5 or M25x1.5 as option. The fixing support has been designed for the typical installation on columns.

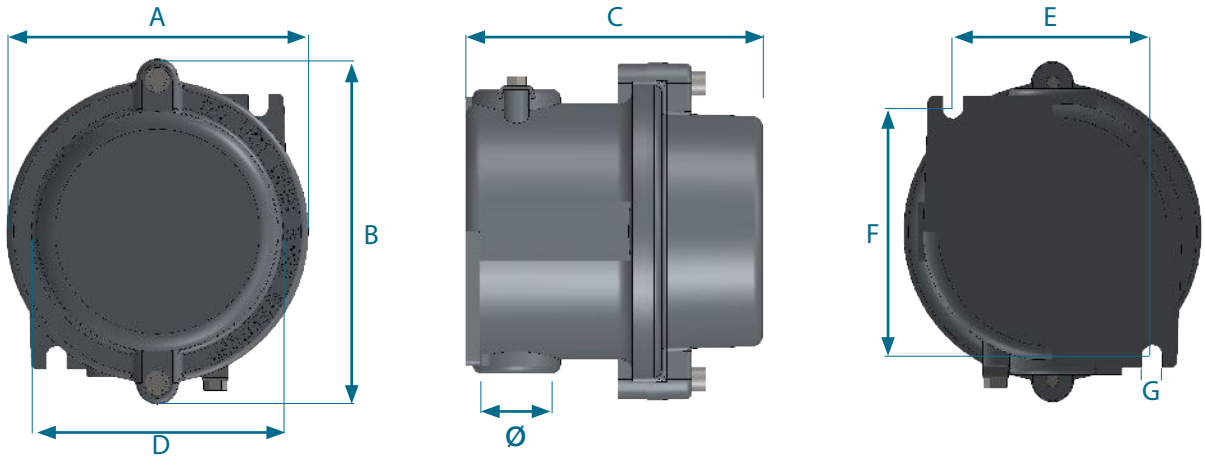
Construction

The materials used to manufacture the CSD series enclosures have been studied to grant the maximum protection against the highly corrosive agents present in these industries:

- body and cover of copper-free (lower 0.1%) aluminium with external epoxy powder painting RAL 7001 finishing;
- gasket on cover of silicone;
- internal and external earth screws of stainless steel complete with antirotation washers;
- cover provided with antiloosening screws of stainless steel and as option, with holding string to facilitate installation and maintenance operations;
- window of instrument housing of thermoresistant glass;
- all operators installed are external push button units which have passed a mechanical endurance test of 15 million operation cycles (standard), 1 million (selector) and 300.000 (emergency);
- contact blocks base is equipped with one to four contacts (NO, NC, NO+NC);
- diffuser with special design to grant a high visibility degree in any situation;
- integrated labels of polycarbonate, or stainless steel with possibility to customize the marking as per client specifications.

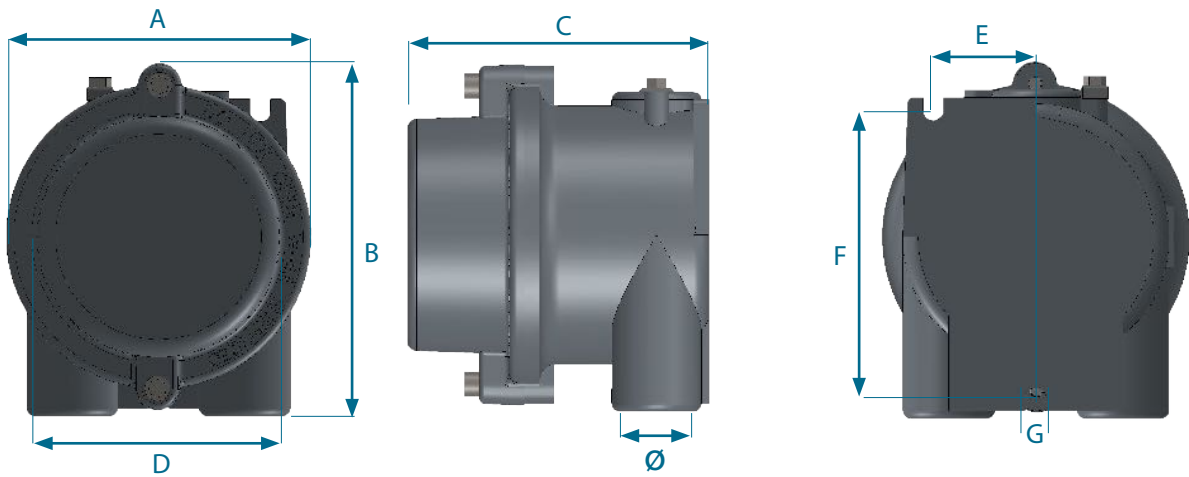
Protection

certificate number:	IECEX IMQ 16.0019X	IMQ 14 ATEX 005 X	TC RU C-IT.AA87.B.00509
marking:	Ⓔ II 2GD Ex db IIC T5/T6 Gb Ex tb IIIC T100/T85°C Db		
ambient temperature:	-40°C +60°C		
degree of protection:	IP66		
conformity:	Directive ATEX 2014/34/EU	TP TC 012/2011	
standards:	IEC-EN60079-0	IEC-EN60079-1	IEC-EN60079-31
	ГОСТ 31610.0	ГОСТ IEC 60079-1	ГОСТ Р МЭК 60079-31
category:	suitable for Zone 1- 2 (gas) and Zone 21 - 22 (dust)		



Code	Ø Hub	A	B	C	Ø D	E	F	G	Kg
CSDC ■ 1M	M 20x1.5	120	138	121	92	80	100	8	1.30
CSDC ■ 2M	M 25x1.5	120	138	121	92	80	100	8	1.30
CSDC ■ 1N	1/2" NPT	120	138	121	92	80	100	8	1.30
CSDC ■ 2N	3/4" NPT	120	138	121	92	80	100	8	1.30

■ = Functions code



Code	Ø Hub	A	B	C	Ø D	E	F	G	Kg
CSDY/U ■ 1M	M 20x1.5	120	138	121	92	40	113	8	1.35
CSDY/U ■ 2M	M 25x1.5	120	138	121	92	40	113	8	1.35
CSDY/U ■ 1N	1/2" NPT	120	138	121	92	40	113	8	1.35
CSDY/U ■ 2N	3/4" NPT	120	138	121	92	40	113	8	1.35

■ = Functions code