

IR Quattro HD 24m

COM1 - in-ceiling installation white
 EAN 4007841 079369
 Article number 079369



infrared sensor
360°



max. 8 x 8 m
presence

HD

4800 zones

2000 W

2000 W max. (LED-ready)



ideal 2,5 - 10 m



indoor sensor

iQ

iQ-mode



energy saving

5 years

manufacturer's warranty steinel-professional.de/garantie



CE

Function description

Detection no finer! Infrared presence detector Presence Control PRO IR Quattro HD COM1 for indoors, ideal for medium to large-size offices, conference and meeting rooms, classrooms and lecture theatres, sports halls and warehouses, installation height up to 10 m, for switching light 'ON' and 'OFF', 4800 switching zones for the ultimate in detection quality, presence detection over a true 64 m², square detection zone, mechanically scalable.

Technical specifications

Dimensions (L x W x H)	108 x 120 x 120 mm	Optimum mounting height	2,8 m
Manufacturer's Warranty	5 years	Detection angle	360 °
Settings via	Remote control, DIP switches, Potentiometers, Smart Remote	Angle of aperture	160 °
With remote control	No	Sneak-by guard	Yes
Version	COM1 - in-ceiling installation white	Capability of masking out individual segments	No
PU1, EAN	4007841079369	Electronic scalability	No
Type	Presence detector	Mechanical scalability	Yes
Application, place	Indoors	Reach, radial	8 x 8 m (64 m ²)
Application, room	classroom, lecture hall, open-plan office, high-bay warehouse, production facilities, conference room / meeting room, duty room, recreation room, changing room, sports hall, reception / lobby, multi-storey / underground car park	Reach, tangential	20 x 20 m (400 m ²)
Colour	white	Reach, presence	8 x 8 m (64 m ²)
Colour, RAL	9010	Switching zones	4800 switching zones
Includes corner wall mount	No	Functions	Normal / test mode, Semi-/fully automatic, Pushbutton / switch mode, Manual ON / ON-OFF, Constant-lighting control ON-OFF
		Time setting	30 s – 30 Min.
		Basic light level function	No

IR Quattro HD 24m

COM1 - in-ceiling installation white
EAN 4007841 079369
Article number 079369



Technical specifications

Installation site	ceiling	Main light adjustable	No
Installation	In-ceiling installation, Ceiling	Twilight setting TEACH	Yes
IP-rating	IP20	Constant-lighting control	No
Ambient temperature	-25 – 55 °C	Interconnection	Yes
Material	Plastic	Type of interconnection	Master/master, Master/slave
Mains power supply	230 V / 50 – 60 Hz	Interconnection via	Cable
Technology, sensors	passive infrared, Light sensor	Interconnection, number	max. 10 sensors
Mounting height	2,50 – 10,00 m		
Mounting height max.	10,00 m		

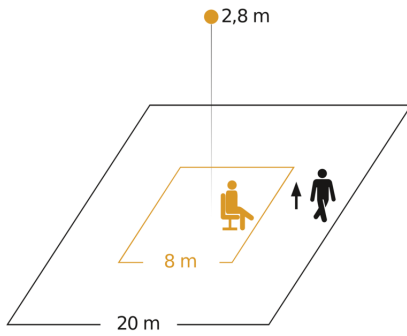
Accessories

EAN 4007841 003036	Control PRO guard cage
EAN 4007841 009151	Remote control Smart Remote
EAN 4007841 559410	Service remote control RC8

IR Quattro HD 24m

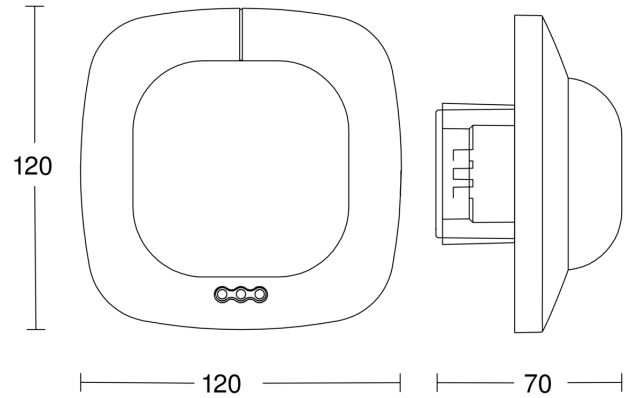
COM1 - in-ceiling installation white
EAN 4007841 079369
Article number 079369

Detection Zone

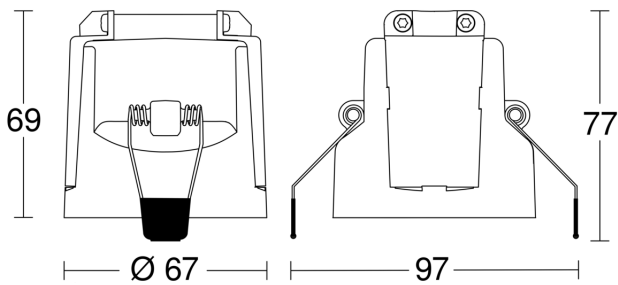


Possible mounting height: 2,50 m - 10,00 m
Orange: presence
Black: tangential

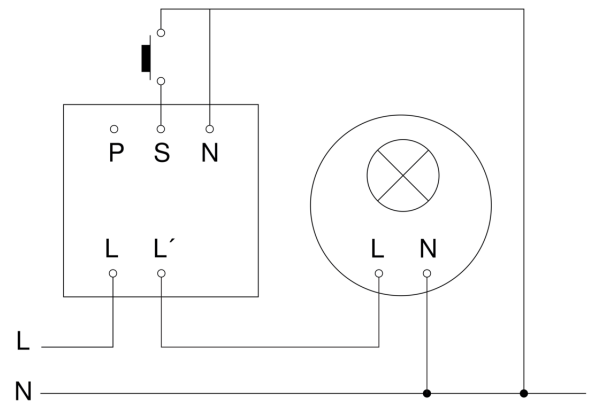
Dimension Drawing 1



Dimension Drawing 2



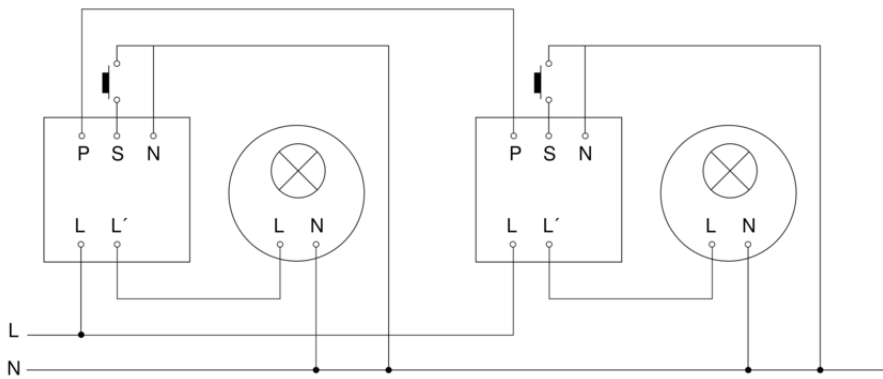
Master circuit diagram



IR Quattro HD 24m

COM1 - in-ceiling installation white
EAN 4007841 079369
Article number 079369

Master/master interconnection circuit diagram



Master/slave interconnection circuit diagram

