

TECHNICAL SPECIFICATIONS

CUSTOMER APPROVED DRAWING
FOR MANUFACTURE

(Co. stamp, sign & date)

1) DESIGN CONDITIONS

- 1.1 FUNDAMENTAL BASIC : 20 m/s (NA TO SS EN 1991-1-4:2009)
10-MINUTE MEAN WIND SPEED
- 1.2 UNIT LIGHTNING ROD MASS : 0.3 kg
- 1.3 UNIT LIGHTNING ROD SAIL AREA : 0.05 m²
- 1.4 TOTAL FLOODLIGHT w/ CLAMP BRACKET MASS : 11.5 kg
- 1.5 UNIT FLOODLIGHT SAIL AREA : 0.12 m²
- 1.6 TERRAIN CATEGORY : TC 0
(NA TO SS EN 1991-1-4:2009 MODIFIED)

2) STANDARDS

- 2.1 POLE DESIGN : NA TO SS EN 1991-1-4:2009;
BS EN 40-3-1 & BS EN 40-3-3
EN 12767 CLASS 0
BS EN 40-2
- 2.2 MATERIAL : POLE : BS EN 10025 S275JR
PLATE : BS EN 10025 S275JR
- 2.3 WELDING (ELECTRIC ARC WELDING) : BS EN 1011-2
- 2.4 GALVANIZING : BS EN ISO 1461

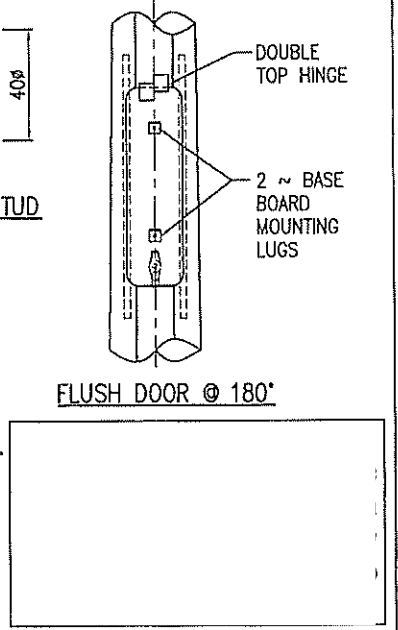
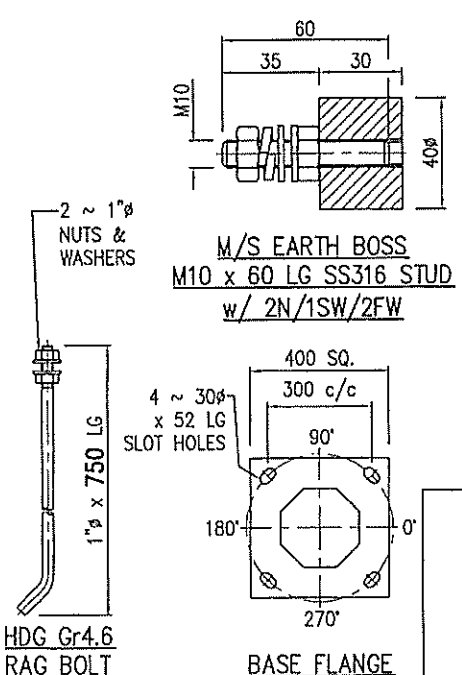
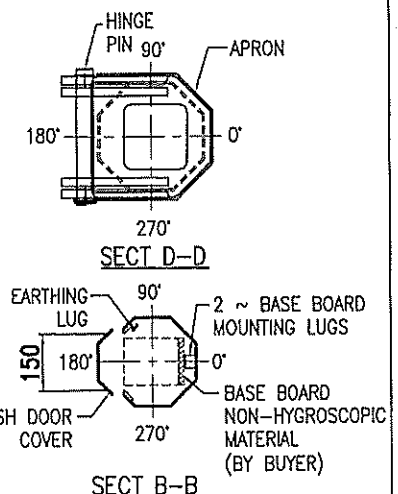
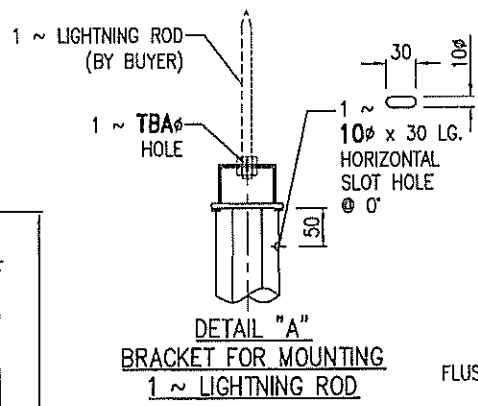
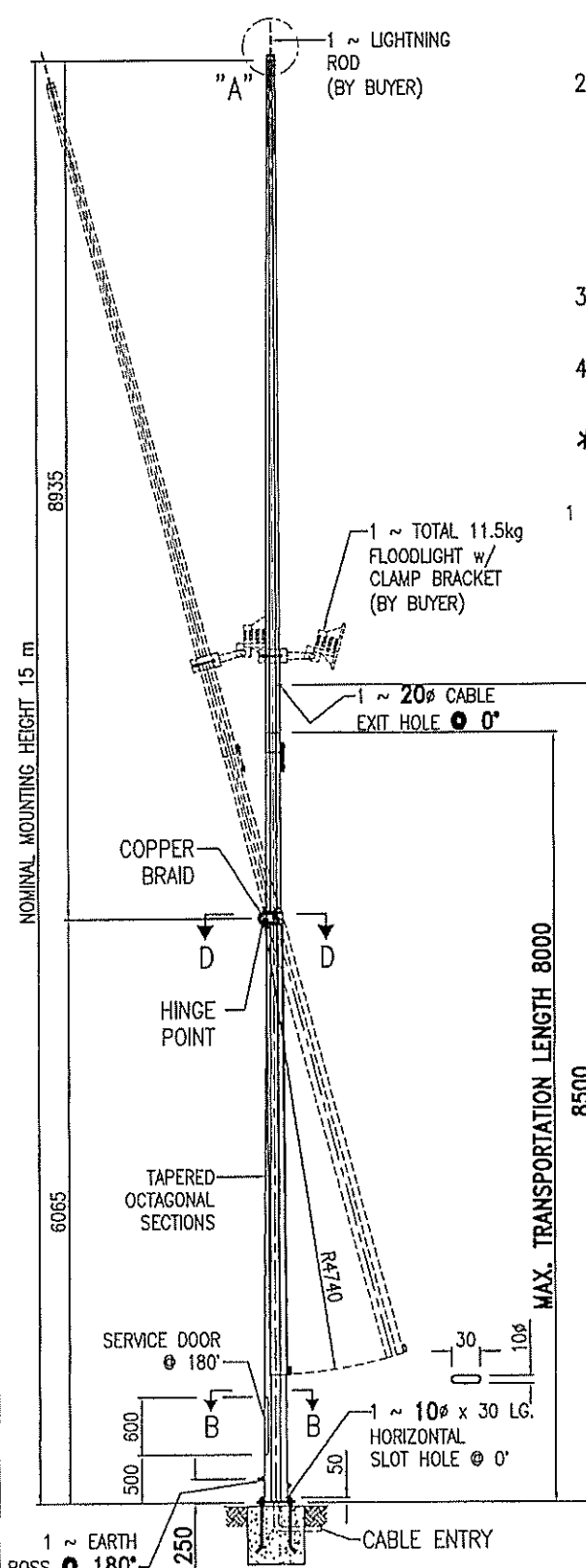
3) TESTING PROCEDURES

DIMENSIONAL VERIFICATION,
GALVANIZING THICKNESS,
MATERIAL STRENGTH & THICKNESS

4) QUALITY CONTROL PROCEDURES

THE SUPPLIER / MANUFACTURER
AND GALVANIZER SHALL BE
ISO 9001 : 2015 CERTIFIED

* UTILITY INNOVATION GRANT NO : MY-168591-A



PRELIMINARY DRAWING
FOR TENDER PURPOSES ONLY

PROJECTION	TITLE : 15 m MD HINGED COLUMN (FLANGED TYPE) c/w MOUNTING BRACKET FOR 1 ~ LIGHTNING ROD + EARTH BOSS
DIMENSIONS IN mm UNLESS STATED	SHEET SIZE A4
SCALE : 1 : 70	DATE: 29.04.24
DWG./REF. NO. M21400-4603-1	SHEET 1 of 1
REV	