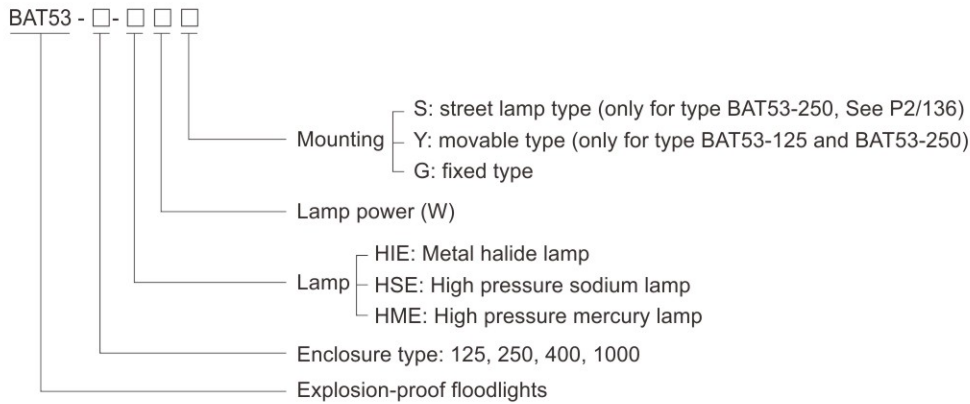


Floodlights BAT53 Series Explosion-proof Floodlights



- ◆ Explosion protection to
 - CENELEC
 - IEC
 - NEC
- ◆ Can be used in
 - Zone 1 and Zone 2
 - Zone 21 and Zone 22
 - Class I, Zone 1 and Zone 2
 - Class I, Division 2, Groups C, D
 - Class I, Division 1, Groups C, D
- ◆ Four enclosure types: 125, 250, 400, 1000.
- ◆ Integral control gear, easy installation and maintenance.
- ◆ Rapid starting trigger, stable performance and long service life.
- ◆ Enclosure in Copper-free Aluminium Alloy, powder coated surface, yellow (RAL1021).
- ◆ Toughened glass cover resistant to temperature changes.

Catalogue number logic



Selection table

Type/Ordering code	Available lamp power (W)			Lamp holder	Weight (kg)
	HIE	HSE	HME		
BAT53-125	70, 100, 150	70, 100	80, 125	E27	8.45
BAT53-250	250	150, 250	250	E40	14.75
BAT53-400	400	400	-	E40	30.75
BAT53-1000	1000	1000	-	E40	115.00

Note

1. Please specify any spare parts when ordering. See Accessories table.
2. 125, 250 and 400 type light fittings are supplied without lamp. PHILIPS lamps are recommended.
3. HPI European standard ballast is supplied with HIE light fitting. HPI European standard lamps are recommended.
4. 1000 type light fittings are supplied with lamp and ballast.

Zones 1&2; 21&22

Floodlights BAT53 Series Explosion-proof Floodlights

Technical data	
Explosion-proof floodlights	BAT53-125-□□□
Explosion protection	IECEX CQM 13.0037X Ex d e IIB T□ ¹⁾ Gb Ex tb IIIC T□ ¹⁾ Db IP66 EPT 18 ATEX 2930X ⊕ II 2 G Ex db e IIB T□ ¹⁾ Gb ⊕ II 2 D Ex tb IIIC T□ ¹⁾ Db IP66 ¹⁾ See Selection table
Certificates	IECEX; ATEX; CU-TR
Conformity to standards	EN 60079-0, EN 60079-1, EN 60079-7, EN 60079-31 IEC 60079-0, IEC 60079-1, IEC 60079-7, IEC 60079-31
Material	Copper-free Aluminium Alloy, powder coated surface, yellow (RAL1021) Toughened glass, stands 4J impact Electromagnetic ballast, rapid starting, stable performance Powder coated carbon steel, white High-purity aluminium Explosion-proof electronic trigger COSφ ≥ 0.90 (compensated) Stainless steel
Lamp	E27 High pressure sodium lamp (HSE): 70W, 100W High pressure mercury lamp (HME): 80W, 125W Metal halide lamp (HIE): 70W, 100W, 150W Note: HPI European standard ballast is available in general
Rated voltage	220~240V AC 50Hz (60Hz is optional)
Earthing protection	M5 (internal & external earth bolts)
Degree of protection	IP66
Ambient temperature	-60°C~+55°C
Terminal	3 x 1.5~2.5mm ² (L+N+PE)
Cable entries	2 x Φ21: 1 x M20 x 1.5 cable gland (DQM-I Ex e), 1 x M20 x 1.5 plug
Available cable outer diameter	Φ5~Φ10 (mm)



Selection table				Dimension drawings (all dimensions in mm) - subject to alteration	
Lamp	Lamp power (W)	Temperature classes			
		Gas	Dust		
HIE	70	T156°C	T156°C		
HSE	70	T156°C	T156°C		
HSE	100	T185°C	T185°C		
HIE	100	T181°C	T181°C		
HIE	150	T190°C	T190°C		
HME	80	T163°C	T163°C		
HME	125	T209°C	T209°C		

Floodlights

BAT53 Series Explosion-proof Floodlights

Technical data

Explosion-proof floodlights

BAT53-250-□□□

Explosion protection

Global (IECEX)

IECEX CQM 07.0004

Gas and dust

Ex d e IIB T3 Gb

Europe (ATEX)

LCIE 05 ATEX 6143

Gas and dust

⊕ II 2 G Ex d e IIB T3

Certificates

IECEX; ATEX; CU-TR

Conformity to standards

EN 60079-0, EN 60079-1, EN 60079-7

IEC 60079-0, IEC 60079-1, IEC 60079-7

Material

Enclosure

Copper-free Aluminium Alloy, powder coated surface, yellow (RAL1021)

Glass cover

Toughened glass, stands 4J impact

Ballast

Electromagnetic ballast, rapid starting, stable performance

Wire guard

Powder coated carbon steel, white

Internal reflector

High-purity aluminium

Trigger

Explosion-proof electronic trigger

Power factor

COS $\phi \geq 0.90$ (compensated)

Exposed fastener

Stainless steel

Lamp

Lamp holder

E40

Available lamp and lamp power (W)

High pressure sodium lamp (HSE): 150W, 250W

High pressure mercury lamp (HME): 250W

Metal halide lamp (HIE): 250W

Note: HPI European standard ballast is available in general

Rated voltage

220~240V AC 50Hz (60Hz is optional)

Earthing protection

M5 (internal & external earth bolts)

Degree of protection

IP66

Ambient temperature

-20°C~+55°C

Terminal

3 x 1.5~2.5mm² (L+N+PE)

Cable entries

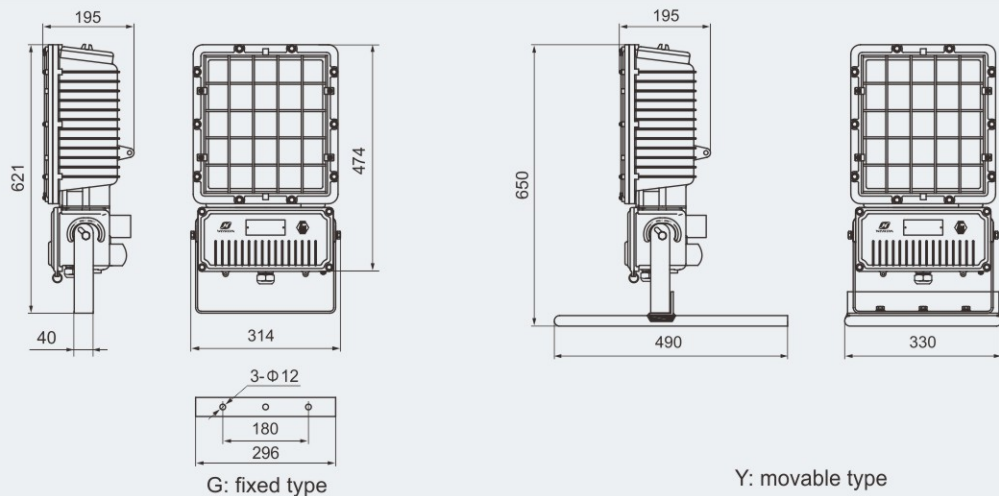
2 x $\Phi 26$: 1 x M25 x 1.5 cable gland (DQM-I Ex e), 1 x M25 x 1.5 plug

Available cable outer diameter

$\Phi 10 \sim \Phi 14$ (mm)



Dimension drawings (all dimensions in mm) - subject to alteration



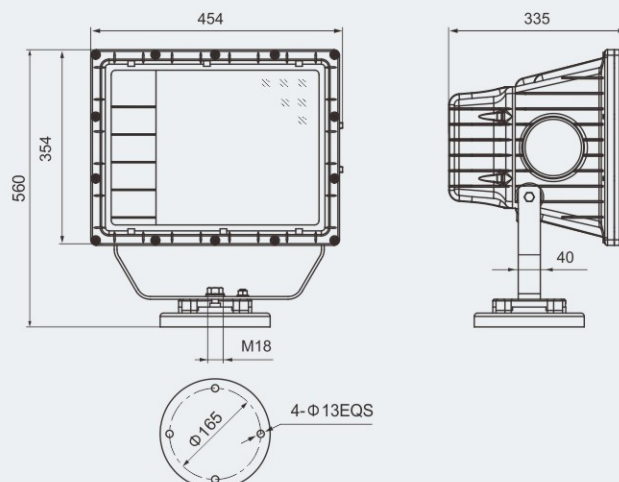
Floodlights

BAT53 Series Explosion-proof Floodlights

Technical data	
Explosion-proof floodlights	BAT53-400-□□□
Explosion protection	
Global (IECEX)	IECEX CQM 08.0014
Gas and dust	Ex d e IIB T3
Europe (ATEX)	LCIE 07 ATEX 6106
Gas and dust	⊕ II 2 G Ex d e IIB T3
Certificates	IECEX; ATEX
Conformity to standards	EN 60079-0, EN 60079-1, EN 60079-7 IEC 60079-0, IEC 60079-1, IEC 60079-7
Material	
Enclosure	Copper-free Aluminium Alloy, powder coated surface, yellow (RAL1021)
Glass cover	Toughened glass, stands 4J impact
Ballast	Electromagnetic ballast, rapid starting, stable performance
Internal reflector	High-purity aluminium
Trigger	Explosion-proof electronic trigger
Power factor	$\text{COS } \phi \geq 0.90$ (compensated)
Exposed fastener	Stainless steel
Wire guard (optional)	Powder coated carbon steel, white
Lamp	
Lamp holder	E40
Available lamp and lamp power (W)	High pressure sodium lamp (HSE): 400W (tubular) Metal halide lamp (HIE): 400W (tubular) Note: HPI European standard ballast is available in general
Rated voltage	220~240V AC 50Hz (60Hz is optional)
Earthing protection	M5 (internal & external earth bolts)
Degree of protection	IP66
Ambient temperature	-20°C~+55°C
Terminal	3 x 1.5~4mm ² (L+N+PE)
Cable entries	2 x M25 x 1.5: 1 x M25 x 1.5 cable gland (DQM-I Ex e), 1 x M25 x 1.5 plug
Available cable outer diameter	Φ 10~Φ 14 (mm)



Dimension drawings (all dimensions in mm) - subject to alteration



Floodlights

BAT53 Series Explosion-proof Floodlights

Technical data

Explosion-proof floodlights

BAT53-1000-□□□

Explosion protection

Global (IECEX)
Gas and dust

Europe (ATEX)
Gas and dust

Certificates

Conformity to standards

Material

Enclosure
Glass cover
Ballast
Trigger
Power factor
Internal reflector
Exposed fastener

Lamp

Lamp holder
Available lamp and lamp power (W)

Rated voltage

Earthing protection

Degree of protection

Ambient temperature

Terminal

Cable entries

Cable gland

Available cable outer diameter

IECEX CQM 14.0066X
Ex d IIB T3 Gb
Ex tb IIIC T193°C Db IP66
EPT 15 ATEX 1977X
⊕ II 2 G Ex d IIB T3 Gb
⊕ II 2 D Ex tb IIIC T193°C Db IP66
IECEX; ATEX; CU-TR
EN 60079-0, EN 60079-1, EN 60079-31
IEC 60079-0, IEC 60079-1, IEC 60079-31

Welded carbon steel, powder coated surface, yellow (RAL1021)

Toughened glass, stands 4J impact

Electromagnetic ballast, rapid starting, stable performance

General trigger

COS $\phi \geq 0.90$ (compensated)

High-purity aluminium

Stainless steel

E40

High pressure sodium lamp (HSE):1000W

Metal halide lamp (HIE):1000W

Note: HPI European standard ballast is available in general

230V AC 50Hz (60Hz is optional)

M5 (internal & external earth bolts)

IP66

-20°C~+55°C

3 x 1.5~4mm² (L+N+PE)

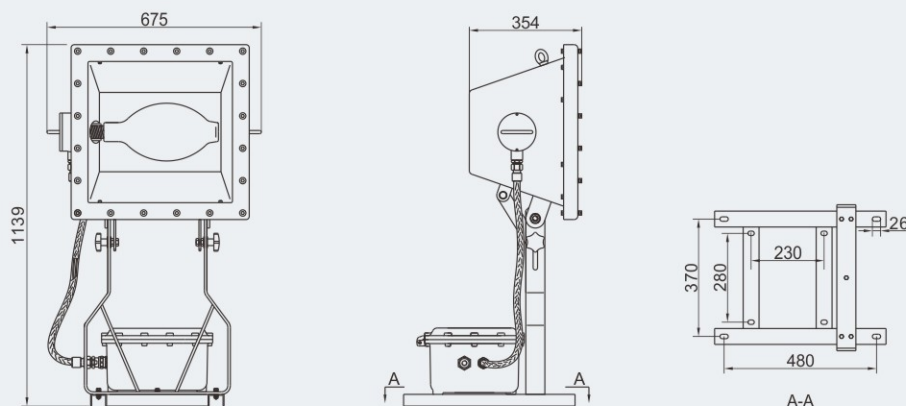
1 x M25 x 1.5

The cable between floodlight and ballast through BNG-M25 x 1.5(M)/M25 x 1.5(M) explosion-proof flexible conduit (length: 1000 mm); One explosion-proof cable gland (DQM-II-M25 x 1.5, Ex d, brass, armored, cable wiring)

Φ 10~Φ 14 (mm)



Dimension drawings (all dimensions in mm) - subject to alteration



Floodlights

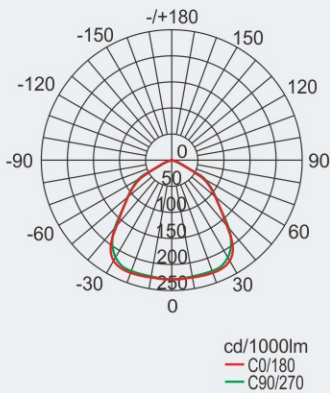
BAT53 Series Explosion-proof Floodlights

Photometric data

BAT53-125-□□□

Rated luminous flux

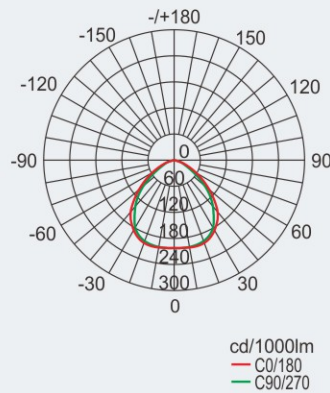
70W Metal halide lamp: 5800 lm
 100W Metal halide lamp: 8700 lm
 150W Metal halide lamp: 13500 lm
 70W High pressure sodium lamp: 6600 lm
 100W High pressure sodium lamp: 10700 lm
 80W High pressure mercury lamp: 3800 lm
 125W High pressure mercury lamp: 6300 lm
 The data from Philips lamp



BAT53-250-□□□

Rated luminous flux

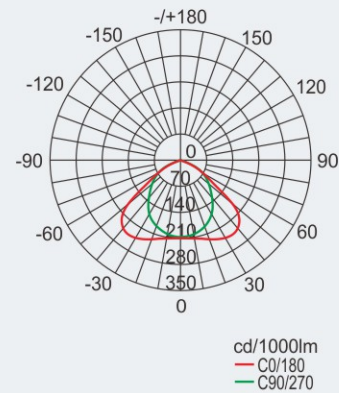
250W Metal halide lamp: 23200 lm
 150W High pressure sodium lamp: 18000 lm
 250W High pressure sodium lamp: 33200 lm
 250W High pressure mercury lamp: 13000 lm
 The data from Philips lamp



BAT53-400-□□□





Rated luminous flux

400W Metal halide lamp: 42500 lm
 400W High pressure sodium lamp: 56500 lm
 The data from Philips lamp



We can provide lighting design and data by professional lighting software DIALUX based upon simulated site situation on request.

Accessories

Picture	Name	Ordering code	Weight (kg)
	Explosion-proof electronic trigger (125, 250, 400 type)	61034	0.30
	125 Explosion-proof capacitor	53012	0.45
	250 Explosion-proof capacitor	53013	0.45
	400 Explosion-proof capacitor	53014	0.55
	125 Movable support	53015	1.80
	250 Movable support	53016	2.35

Note: Ballast see P1/21

