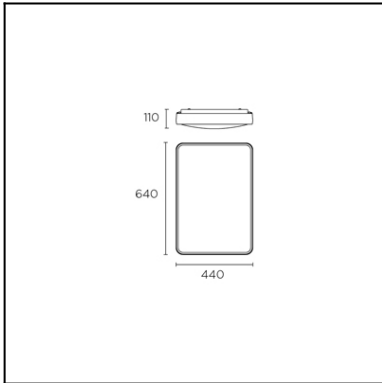


Design by Nahtrang Design



The photograph may not match the reference exactly. Please read the product description to identify the finish.



**TECHNICAL CHARACTERISTICS**

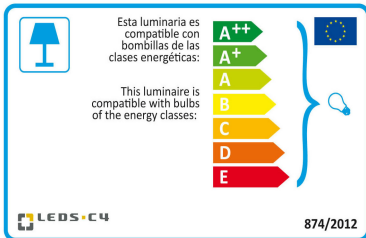
Type:	Ceiling fixture
IP Protection degrees:	IP23
Light source 1:	2 x 2G11 55W
Total power consumption (W):	98.1
Voltage / Frequency:	220-240V/50-60Hz
Warranty (Years):	2
Units per box:	1
Net Weight (Kg):	4.48
EAN:	8435111086421



**MATERIALS / FINISHES**

<b>Structure material:</b>	Aluminium	<b>Diffuser material:</b>	Acrylic
<b>Structure finish:</b>	Matt white	<b>Diffuser finish:</b>	Satin

Download photometric file .ldt / .ies



Click on image to download energy label

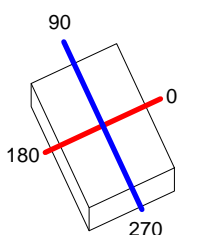
**GEAR**

Gear included: Yes, electronic

<b>Luminaire</b>		<b>Measur.</b>		<b>Lamp</b>		
Code	15-4687-14-M1	Code	15-4687-14-M1	Code	PL-L55W/840/4P	
Name	Plafón 2x55W TC-L 2G11 opal	Name	Plafón 2x55W TC-L 2G11 opal	Number	2	
Line	Eulumdat	Date	16-03-2012	Position		
Efficiency	45.36%	Coordinate system	CG	Total Flux	9600.00 lm	
Maximum value	1538.09 cd	Position	C=0.00 G=0.00	Double Symmetrical		
Rectangular Luminaire	Length	640 mm	Width	440 mm	Height	100 mm
Rectangular Luminous Area	Length	615 mm	Width	415 mm	Height	27 mm
Horizontal Luminous Area	0.255225 m2	Emitting area on Plane 180°		0.017220 m2		
Emitting area on Plane 0°	0.017220 m2	Emitting area on Plane 270°		0.011620 m2		
Emitting area on Plane 90°	0.011620 m2	Glare area at 76°		0.078453 m2		
Symmetry Type	Double Symmetrical	Maximum Gamma Angle		90		
Measurement Distance	0.00	Measurement Flux		9600.00 lm		
Operator	Asselum T2	Source voltage				
Temperature	25.00 °C	Source current				
Humidity	60.00 %	Photocell				
Notes						

Luminaire Lamps						
Line	Code	Name	Flux [lm]	Pow. [W]	Q.ty	
Eulumdat	PL-L55W/840/4P	PL-L55W/840/4P - 55.00 W	4800.00	55.00	2	
C.I.E.	47 78 94 100 45	D DIN 5040	A30			
F UTE	0.45 E	B NBN	BZ 5			

640mm x 440mm



**C Halfplanes**

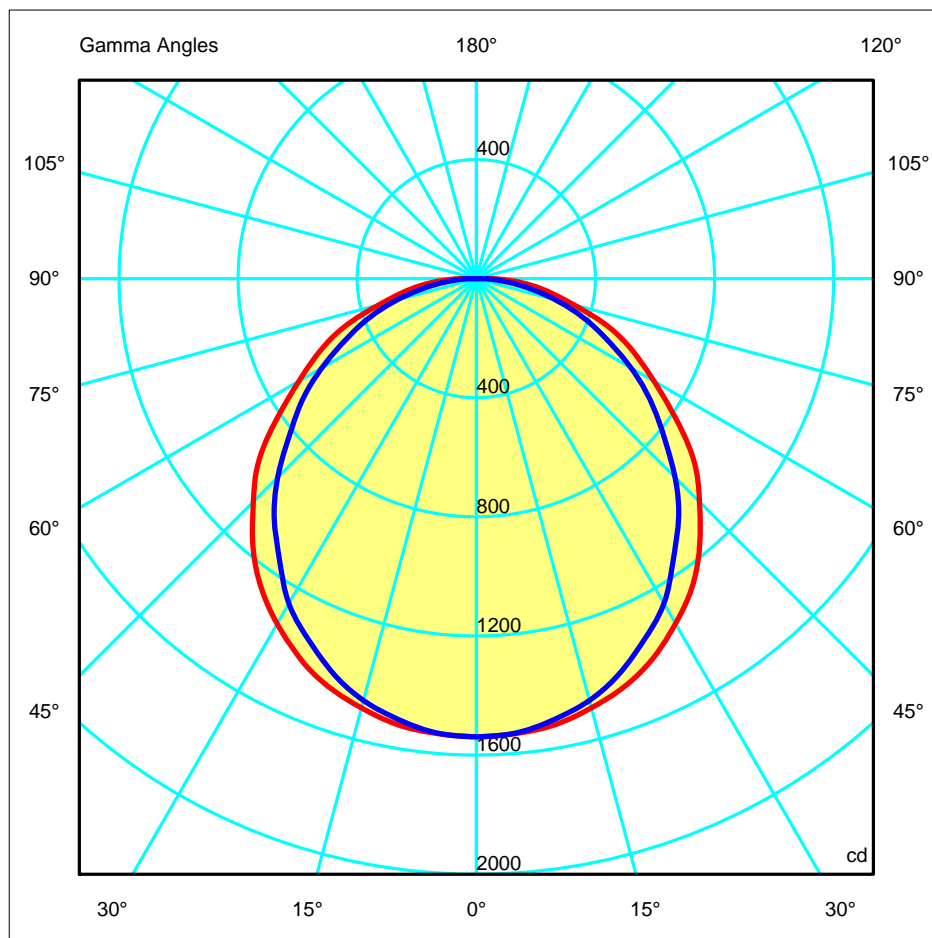
180.0 — 0.0 (Red line)

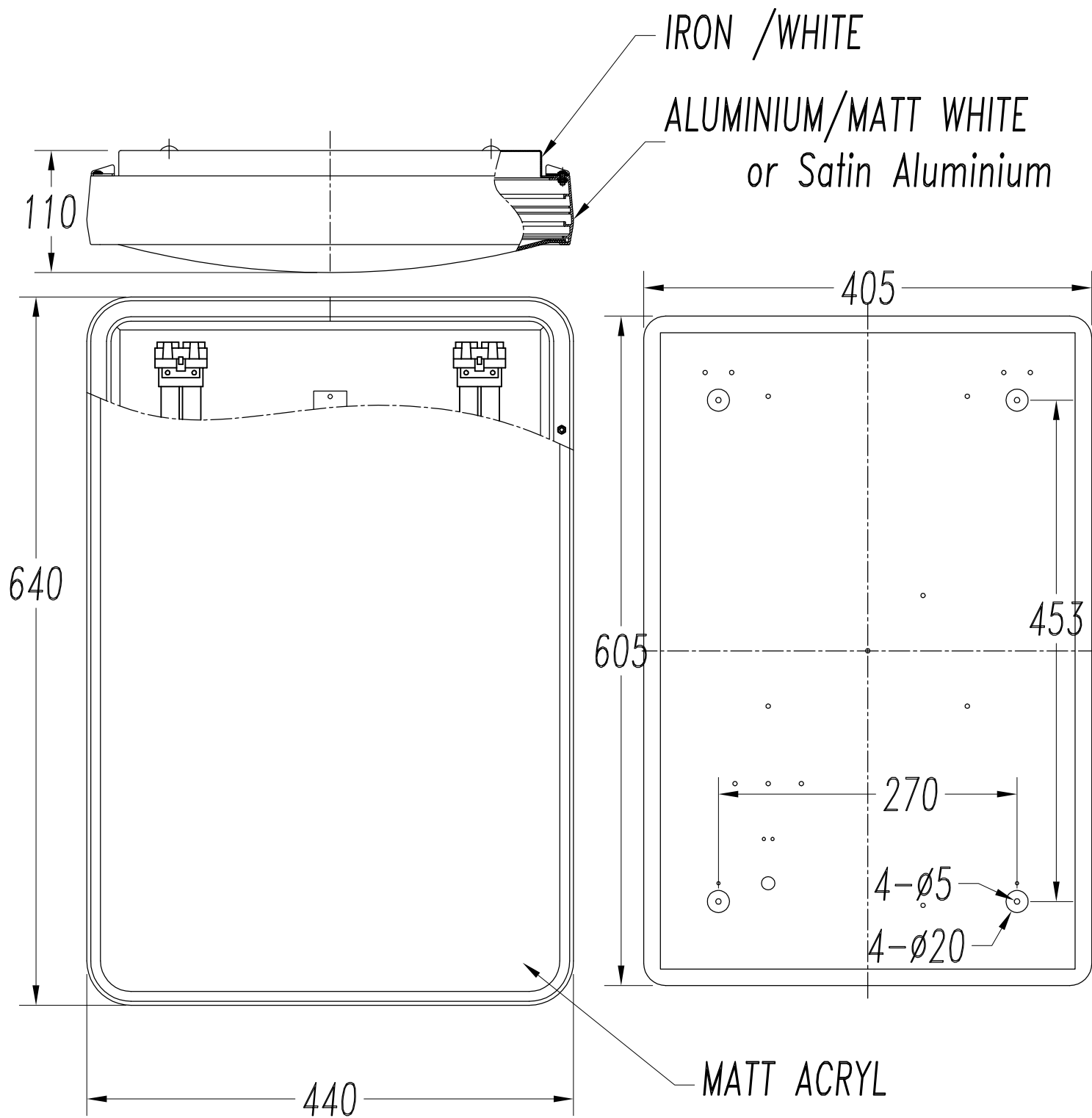
270.0 — 90.0 (Blue line)

ULOR 0.00 %

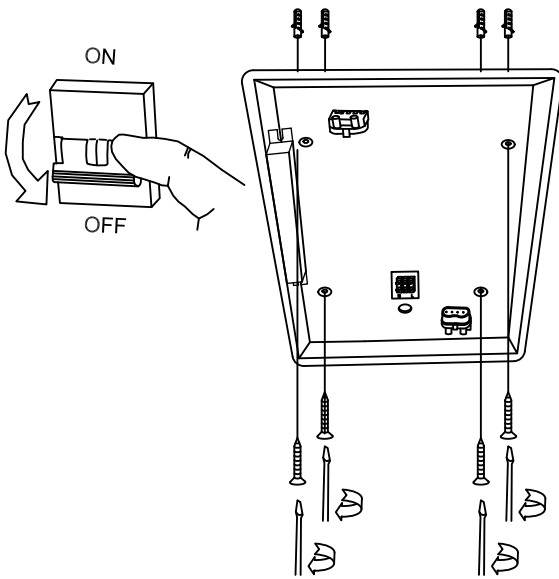
DLOR 45.36 %

RN 0.00 %

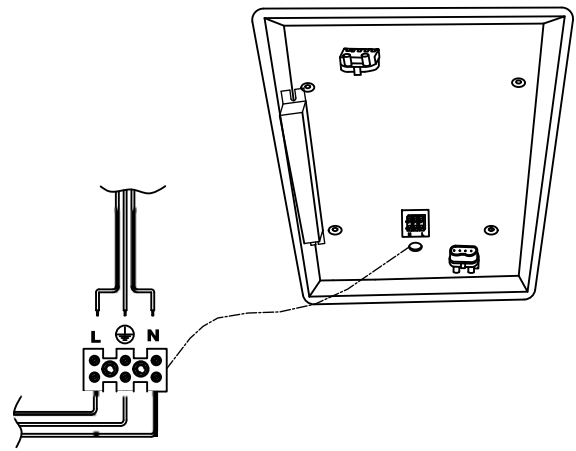




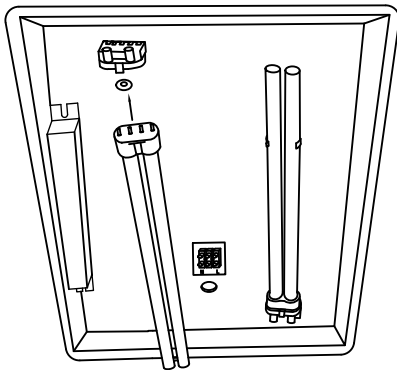
**1**



**2**

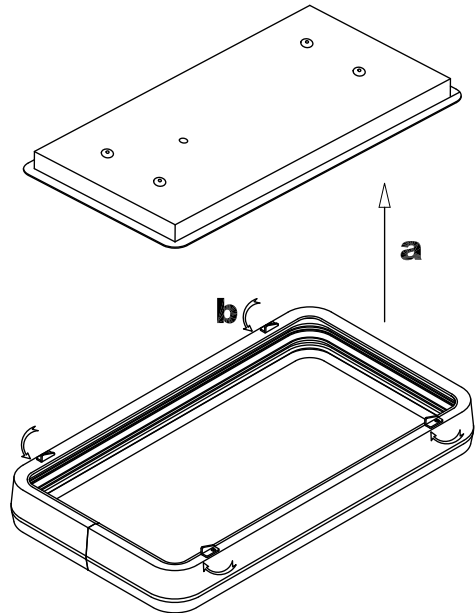


**3**

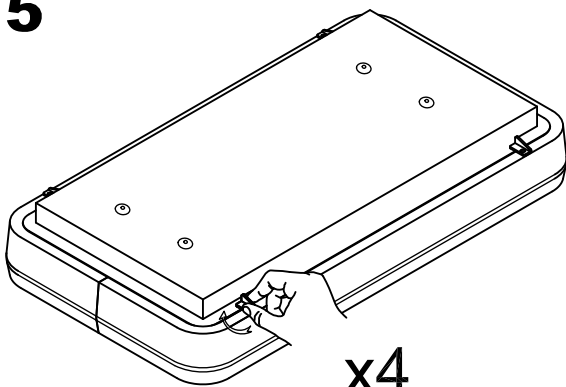


X2

**4**



**5**



x4

**6**

