



it's cool to be safe
explosion proof solution for the global market



SWE
SWAE
SCE
PE
SPE



it's cool to be safe
explosion proof electrical equipment



SUPER POWER

The equipment we introduce in this catalogue are designed to satisfy most of our clients' requirements to POWER explosion proof electrical equipment.

All the equipment are manufactured using the latest technologies, both mechanical and electrical, using materials able to resist in most highly corrosive environment and to ensure a modern functionality solution and a long duration of investment.



SWE - SWAE - SCE - PE

SWE - SWAE - SCE - PE series sockets and plugs are normally used in the chemical and petrochemical plants, offshore platforms, refineries and any other industries where hazardous atmospheres are potentially present.



Function

The PLUGS - SOCKETS range is used for power supply of control and electrical installations, machineries and other equipment that need to be moved often for operational and/or maintenance reasons.

The explosion-proof plugs PE series have been designed to be used, in the safe area, in combination with industrial sockets built in conformity to International Standards IEC60309, so to facilitate the power supply of explosion proof equipment connected also in the safe area (e.g. for maintenance purposes) without the necessity to have a dedicated socket. On the other side, the explosion-proof socket SWE - SWAE and SCE series have been designed to disable the insertion of an industrial plug so as to avoid any risk of supplying power inside a hazardous area to a non-protected electrical equipment.

Construction

The materials used to manufacture the PLUGS & SOCKETS series have been studied to grant the maximum protection against the highly corrosive agents present in these plants:

- the body in glass fiber reinforced polyester (GRP), provides a very high mechanical strength together with a good resistance against the UV ray effects;
- the gasket on cover grants an IP66 protection level ;
- the internal electrical components are fully sealed so as to prevent any corrosive action that could cause electrical faults;
- the wall type sockets SWE-SWAE series (all sizes) have two cable entries to allow a loop-in loop-out installation.
- all the wall type sockets SWE-SWAE series are equipped, as standard, with one stopping plugs ATEX certified and with an internal brass connecting plate.
- the wall type SWE - SWAE series and coupler type sockets SCE series can be protected with a padlock to avoid unauthorized connections.



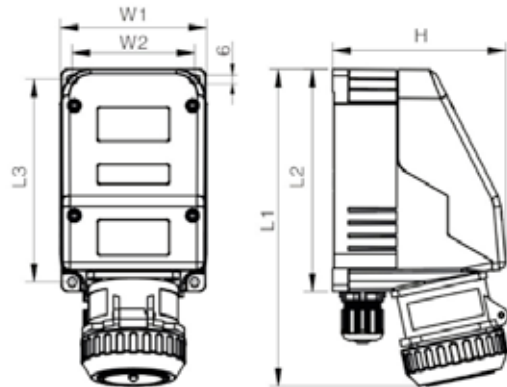
The plugs and sockets have been provided with a self-cleaning system. An elastic shutter type spring casing has been installed in the inserting sleeve of the socket which ensures low contact resistance and low temperature rise while reducing the inserting and pulling-out force.



Plug & Sockets 16A

SWE & SWAE wall type socket

code	voltage			poles	W1	W2	L1	L2	L3	H	Kg
SWE 316Y	110 - 130V	●	3	2P + ⚡	103	86	223	156	142	122	1.2
SWE 316YN	110 - 130V	●	3	1P + N + ⚡	103	86	223	156	142	122	1.2
SWE 316B	200 - 250V	●	3	2P + ⚡	103	86	223	156	142	122	1.2
SWE 316BN	200 - 250V	●	3	1P + N + ⚡	103	86	223	156	142	122	1.2
SWE 416B	200 - 250V	●	4	3P + ⚡	123	106	241	176	163	147	1.2
SWE 416R	380 - 415V	●	4	3P + ⚡	123	106	241	176	163	147	1.2
SWE 416X	480 - 500V	●	4	3P + ⚡	123	106	241	176	163	147	1.2
SWE 416Z	600 - 690V	●	4	3P + ⚡	123	106	241	176	163	147	1.2
SWE 516R	200 - 250V 380 - 415V	●	5	3P + N + ⚡	123	106	241	176	163	147	1.2
SWAE 416R	380 - 415V	●	4	3P + ⚡	123	106	241	176	163	147	1.2
SWAE 416X	480 - 500V	●	4	3P + ⚡	123	106	241	176	163	147	1.2
SWAE 416Z	600 - 690V	●	4	3P + ⚡	123	106	241	176	163	147	1.2
SWAE 516R	200 - 250V 380 - 415V	●	5	3P + N + ⚡	123	106	241	176	163	147	1.2



Protection and electrical data

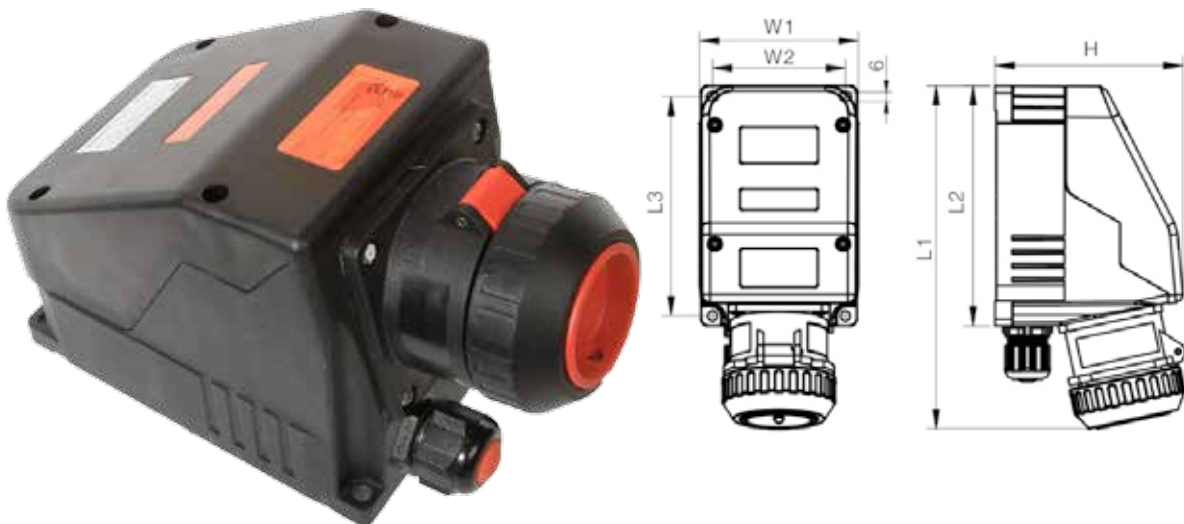
certificate number:	DNV 12 ATEX 2133
marking:	II 2G Ex de II C T6~T5 Gb
category:	suitable for Zone 1 - 21 (gas)
ambient temperature:	-40°C + 45°C~55°C
degree of protection:	IP66
rated current:	16A
rated voltage:	up to 690V
rated switch capacity:	AC3 110V to 690V/16A
terminals:	2 x 2.5mm ² (Wall & Coupler Socket) 1 x 2.5mm ² (Plug) 1 x 1mm ² (AUX)
cable entries:	2 x M25x1.5 (Wall Socket). Wall Socket Unit c/w one brass plug.
cable diameters:	5~18,5 mm (Plug & Coupler Socket)
standards:	EN60079-0 / EN60079-1 / EN60079-7
conformity:	Directive ATEX 94/9/EC



Plug & Sockets 32A

SWE wall type socket

code	voltage		poles	W1	W2	L1	L2	L3	H	Kg
SWE 432B	200 - 250V	●	4 3P +	133	118	294	211	198	162	1.8
SWE 432R	380 - 415V	●	4 3P +	133	118	294	211	198	162	1.8
SWE 432X	480 - 500V	●	4 3P +	133	118	294	211	198	162	1.8
SWE 432Z	600 - 690V	●	4 3P +	133	118	294	211	198	162	1.8
SWE 532R	200 - 250V 380 - 415V	●	5 3P + N +	133	118	294	211	198	162	1.8
SWAE 432R	380 - 415V	●	4 3P +	133	118	294	211	198	162	1.8
SWAE 432X	480 - 500V	●	4 3P +	133	118	294	211	198	162	1.8
SWAE 432Z	600 - 690V	●	4 3P +	133	118	294	211	198	162	1.8
SWAE 532R	200 - 250V 380 - 415V	●	5 3P + N +	133	118	294	211	198	162	1.8




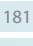



Protection and electrical data

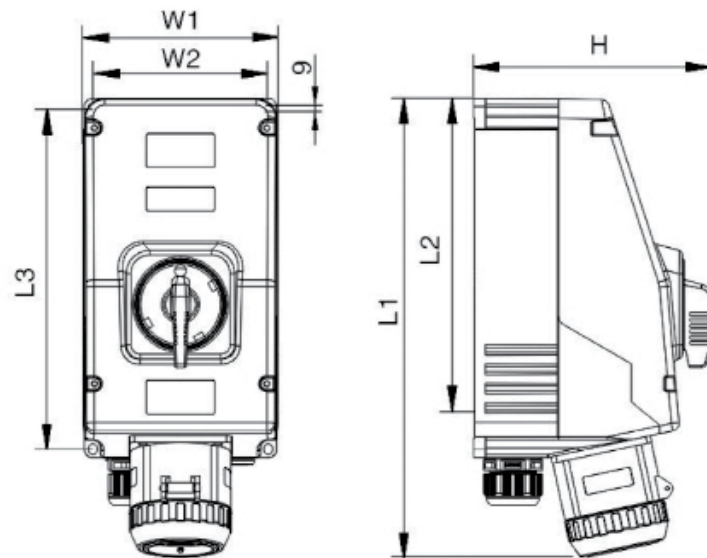
certificate number:	DNV 12 ATEX 2155
marking:	II 2G Ex de II CT6~T5 Gb
category:	suitable for Zone 1 - 21 (gas)
ambient temperature:	-40°C +40°C~55°C
degree of protection:	IP66
rated current:	32A
rated voltage:	up to 690V
rated switch capacity:	AC3 200V to 690V/32A
terminals:	2 x 6mm ² (Wall & Coupler Socket) 1 x 6mm ² (Plug) 1 x 1 mm ² (AUX)
cable entries:	2 x M32x1.5 (Wall Socket) - Wall Socket Unit c/w one brass plug
cable diameters:	10~28 mm (Plug & Coupler Socket)
standards:	EN60079-0 / EN60079-1 / EN60079-7
conformity:	Directive ATEX 94/9/EC







Plug & Sockets 63A

SWE wall type socket

code	voltage	colour	poles		W1	W2	L1	L2	L3	H	Kg
SWE 463B	200 - 250V	●	4	3P + 	201	181	472	371	352	248	8.1
SWE 463R	380 - 415V	●	4	3P + 	201	181	472	371	352	248	8.1
SWE 463X	480 - 500V	●	4	3P + 	201	181	472	371	352	248	8.1
SWE 463Z	600 - 690V	●	4	3P + 	201	181	472	371	352	248	8.1
SWE 563R	200 - 250V 380 - 415V	●	5	3P + N + 	201	181	472	371	352	248	8.1








SWAE wall type socket

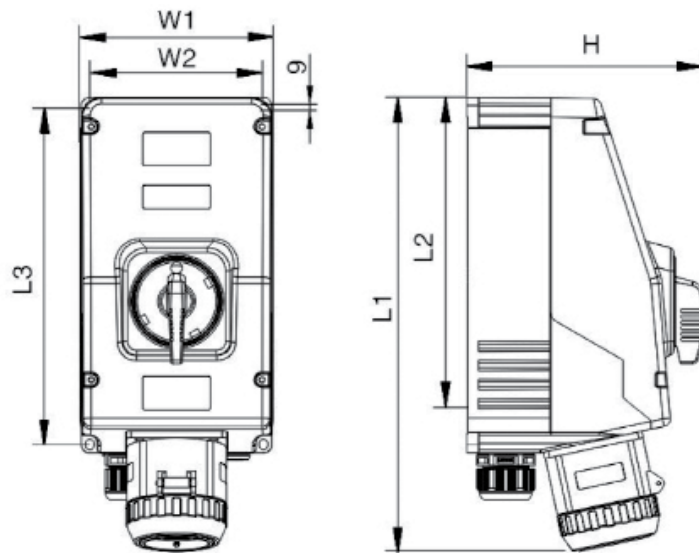
code	voltage	colour	poles		W1	W2	L1	L2	L3	H	Kg
SWAE 463R	380 - 415V	●	4	3P + 	201	181	472	371	352	248	8.1
SWAE 463X	480 - 500V	●	4	3P + 	201	181	472	371	352	248	8.1
SWAE 463Z	600 - 690V	●	4	3P + 	201	181	472	371	352	248	8.1
SWAE 563R	200 - 250V 380 - 415V	●	5	3P + N + 	201	181	472	371	352	248	8.1




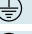
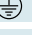

Plug & Sockets 125A

SWE wall type socket

code	voltage	colour	poles		W1	W2	L1	L2	L3	H	Kg
SWE 4125B	200 - 250V	●	4	3P + 	249	228	537	431	411	274	13.5
SWE 4125R	380 - 415V	●	4	3P + 	249	228	537	431	411	274	13.5
SWE 4125X	480 - 500V	●	4	3P + 	249	228	537	431	411	274	13.5
SWE 4125Z	600 - 690V	●	4	3P + 	249	228	537	431	411	274	13.5
SWE 5125R	200 - 250V 380 - 415V	●	5	3P + N + 	249	228	537	431	411	274	13.5



SWAE wall type socket

code	voltage	colour	poles		W1	W2	L1	L2	L3	H	Kg
SWAE 4125R	380 - 415V	●	4	3P + 	249	228	537	431	411	274	13.5
SWAE 4125X	480 - 500V	●	4	3P + 	249	228	537	431	411	274	13.5
SWAE 4125Z	600 - 690V	●	4	3P + 	249	228	537	431	411	274	13.5
SWAE 5125R	200 - 250V 380 - 415V	●	5	3P + N + 	249	228	537	431	411	274	13.5