

# IR Quattro HD 24m

COM2 - Concealed wiring  
 EAN 4007841 002770  
 Article number 002770



infrared sensor  
360°



max. 8 x 8 m  
presence

HD

4800 zones

2000 W

2000 W max. (LED-ready)



ideal 2,5 - 10 m



indoor sensor

iQ

iQ-mode



energy saving

5 years

manufacturer's warranty steinel-professional.de/garantie



CE

## Function description

Detection no finer! Infrared presence detector Presence Control PRO IR Quattro HD COM2 for indoors, ideal for medium to large-size offices, conference and meeting rooms, classrooms and lecture theatres, sports halls and warehouses, installation height up to 10 m, for switching light as well as HVAC 'ON' and 'OFF', 4800 switching zones for the ultimate in detection quality, presence detection over a true 64 m<sup>2</sup>, square detection zone, mechanically scalable.

## Technical specifications

|                         |   |
|-------------------------|---|
| Dimensions (L x W x H)  | 70 x 120 x 120 mm   |
| Manufacturer's Warranty | 5 years   |
| Settings via            | Remote control, DIP switches, Potentiometers, Smart Remote  |
| With remote control     | No  |
| Version                 | COM2 - Concealed wiring   |
| PU1, EAN                | 4007841002770   |
| Type                    | Presence detector   |
| Application, place      | Indoors   |
| Application, room       | classroom, lecture hall, open-plan office, high-bay warehouse, production facilities, conference room / meeting room, duty room, recreation room, changing room, sports hall, reception / lobby, multi-storey / underground car park, Indoors |
| Colour                  | white   |
| Colour, RAL             | 9010  |

|   |                                 |
|---|---------------------------------|
| Capacitive load in µF                         | 176 µF                          |
| Technology, sensors                           | passive infrared, Light sensor  |
| Mounting height                               | 2,50 – 10,00 m                  |
| Mounting height max.                          | 10,00 m                         |
| Optimum mounting height                       | 2,8 m                           |
| Detection angle                               | 360 °                           |
| Angle of aperture                             | 160 °                           |
| Sneak-by guard                                | Yes                             |
| Capability of masking out individual segments | No                              |
| Electronic scalability                        | No                              |
| Mechanical scalability                        | Yes                             |
| Reach, radial                                 | 8 x 8 m (64 m <sup>2</sup> )    |
| Reach, tangential                             | 20 x 20 m (400 m <sup>2</sup> ) |
| Reach, presence                               | 8 x 8 m (64 m <sup>2</sup> )    |
| Switching zones                               | 4800 switching zones            |

# IR Quattro HD 24m

COM2 - Concealed wiring  
 EAN 4007841 002770  
 Article number 002770



## Technical specifications

|   |                           |
|---|---------------------------|
| Includes corner wall mount                    | No                        |
| Installation site                             | ceiling                   |
| Installation                                  | Concealed wiring, Ceiling |
| IP-rating                                     | IP20                      |
| Ambient temperature                           | -25 – 55 °C               |
| Material                                      | Plastic                   |
| Mains power supply                            | 230 V / 50 – 60 Hz        |
| Fluorescent lamps, electronic ballast         | 1500 W                    |
| Fluorescent lamps, uncorrected                | 1000 VA                   |
| Fluorescent lamps, series-corrected           | 1000 VA                   |
| Fluorescent lamps, parallel-corrected         | 1000 VA                   |
| Switching output 1, low-voltage halogen lamps | 2000 VA                   |
| LED lamps < 2 W                               | 100 W                     |
| LED lamps > 2 W < 8 W                         | 300 W                     |
| LED lamps > 8 W                               | 600 W                     |

|                            |   |
|----------------------------|---|
| Functions                  | Normal / test mode, Semi-/fully automatic, Pushbutton / switch mode, Manual ON / ON-OFF |
| Twilight setting           | 10 – 1000 lx  |
| Time setting               | 30 s – 30 Min.  |
| Basic light level function | No  |
| Main light adjustable      | No  |
| Twilight setting TEACH     | Yes   |
| Constant-lighting control  | No  |
| Interconnection            | Yes   |
| Type of interconnection    | Master/master, Master/slave   |
| Interconnection via        | Cable   |
| Interconnection, number    | max. 10 sensors   |

## Accessories

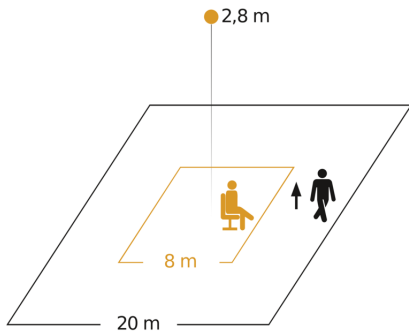
|                    |  |
|--------------------|--|
| EAN 4007841 003036 | Control PRO guard cage                   |
| EAN 4007841 000363 | Surface-mounted adapter Control Pro IP54 |
| EAN 4007841 009151 | Remote control Smart Remote              |
| EAN 4007841 559410 | Service remote control RC8               |

# IR Quattro HD 24m

COM2 - Concealed wiring  
 EAN 4007841 002770  
 Article number 002770

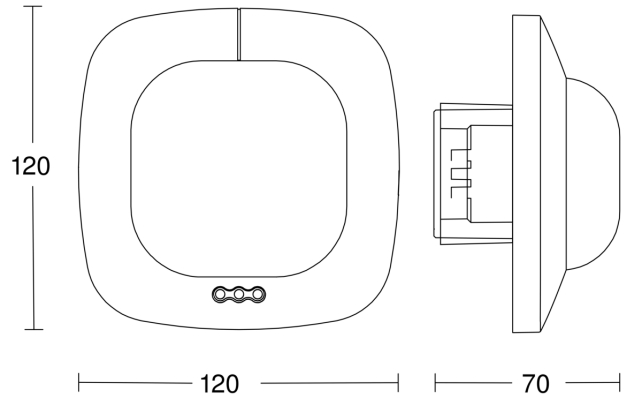


## Detection Zone

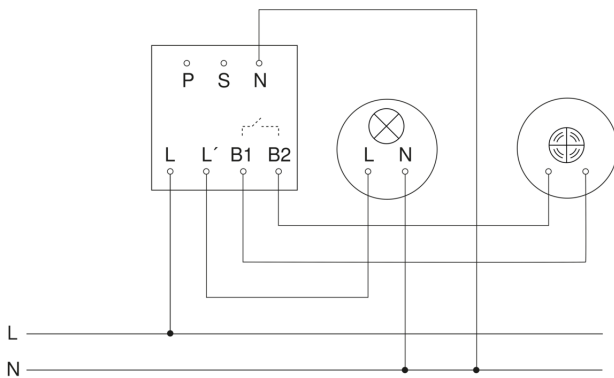


Possible mounting height: 2,50 m - 10,00 m  
 Orange: presence  
 Black: tangential

## Dimension Drawing



## Master circuit diagram



## Master/slave interconnection circuit diagram

