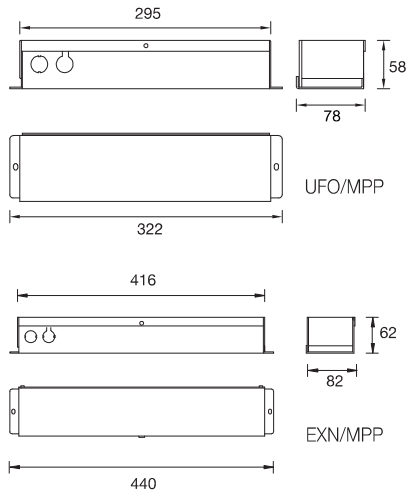


# EMERGENCY POWER PACKS POWER PACK

Emergency power pack for 4-pin PL/PLC and 2D lamp fitting



● MPP/M/PLC13-18E NC



## TECHNICAL DATA

Mode of Operation	: Maintained*
Lamp	: 4-pin PL/PLC and 2D lamps
Rated Duration	: 2 hrs and others
Mains Supply	: 230 Volts, 50/60Hz
Power Consumption	: < 3.5W
Battery	: High temp Nickel Cadmium
Charge Monitor	: Green LED Ø5mm
Test Facility	: Push button switch
Safety Feature	: Low volt cut-off preventing battery overdischarge
Fitting Construction	: Electro galvanised steel with epoxy powder coating
Cable Entry	: Ø20mm K/O hole
Weight	: 1.9kg (gross)
Compliance	: IEC 61347-2-7
Warranty	: 1 year

Dimension: mm NTS



4 Pin PL/PLC Lamp



4 Pin 2D Lamp

## ORDERING GUIDE (Please check with Sales Dept if customisation is required)

Model	Lamp	For use with	Remote box size
MPP/M/PLC13-18E NC	PLC10- 26W 4-pin	Conventional and Electronic ballast	UFO/MPP
MPP/M/PLC58E NC	PLT32W-42W 4-pin		EXN/MPP

\*Note:

Can be incorporated into combined maintained, combined non-maintained and non-maintained mode of operation.



Type and batch tested with  
PSB PLS-LISTED LABEL



IP20  
CLASS I



Specifications subject to changes without prior notice.

