

## LEFI-DL-DF-B

## Product Specification



## Product Description

CORE-DL-DF-B is highly integrated module solution for indoor diffusive downlight application. The product provides wide range of flux output in standard form factor.

- Compatible with OSRAM OPTOTRONIC/ICUTRONIC/ELEMENT drivers
- Lifetime L70B50 >50khrs
- 3 years guarantee

## Benefits

- Wide flux output range
- Simple & easy installation
- Wide CCT Range 2700-6500K

## Features

- Color consistency < 5SDCM
- Flux output range 900-3400lm
- High efficacy, up to 143lm/W at module level
- Beam angle FWHM at 100-110°

## Applications

- Retail, shop, restaurant, hospitality
- High-end residential
- Suitable for indoor applications

Table 1. Product Performance

Product name	Nominal CCT (K)	Min CRI	Flux Output (lm)		Typical Efficacy (lm/W)	Test Current (mA)	Test Voltage (V)	Typical Power (W)	Beam Angle (FWH)
			Min	Typ					
Core-DL-DF-10-B-827-4	2700	80	860	960	113	250	34	8.5	105°
Core-DL-DF-10-B-830-4	3000	80	890	990	116	250	34	8.5	105°
Core-DL-DF-10-B-840-4	4000	80	950	1050	123	250	34	8.5	105°
Core-DL-DF-10-B-865-4	6500	80	920	1020	120	250	34	8.5	105°
Core-DL-DF-20-B-827-6	2700	80	1900	2100	123	500	34	17	105°
Core-DL-DF-20-B-830-6	3000	80	2020	2250	132	500	34	17	105°
Core-DL-DF-20-B-840-6	4000	80	2100	2350	138	500	34	17	105°
Core-DL-DF-20-B-865-6	6500	80	2070	2300	135	500	34	17	105°
Core-DL-DF-30-B-827-8	2700	80	2750	3050	128	700	34	23.8	105°
Core-DL-DF-30-B-830-8	3000	80	2880	3200	134	700	34	23.8	105°

Core-DL-DF-30-B-840-8	4000	80	3060	3400	143	700	34	23.8	105°
Core-DL-DF-30-B-865-8	6500	80	3000	3350	140	700	34	23.8	105°

Note:

1. All parameters are derived at steady status when:  $t_p=65^{\circ}\text{C}$  ( $@t_a=25^{\circ}\text{C}$ )
2. Tolerance of measurements for the luminous flux is  $\pm 10\%$ ,
3. These modules are only suitable for SELV driver. Working voltage for which the insulation is less than 60VDC.

**Table 2. Optical parameters**

Product	Typ. CCT (K)	Min. CCT (K)	Max. CCT (K)	Centered x,y		Bin in 5 step MacAdam Ellipse	CRI Min.
				CIE x	CIE y		
Core-DL-DF-10-B-827-4	2725	2580	2870	0.46	0.4104	5 step MacAdam	80
Core-DL-DF-10-B-830-4	3045	2870	3220	0.437	0.4039		80
Core-DL-DF-10-B-840-4	3985	3710	4260	0.3805	0.3766		80
Core-DL-DF-10-B-865-4	6530	6020	7040	0.3123	0.3283		80
Core-DL-DF-20-B-827-6	2725	2580	2870	0.46	0.4104		80
Core-DL-DF-20-B-830-6	3045	2870	3220	0.437	0.4039		80
Core-DL-DF-20-B-840-6	3985	3710	4260	0.3805	0.3766		80
Core-DL-DF-20-B-865-6	6530	6020	7040	0.3123	0.3283		80
Core-DL-DF-30-B-827-8	2725	2580	2870	0.46	0.4104		80
Core-DL-DF-30-B-830-8	3045	2870	3220	0.437	0.4039		80
Core-DL-DF-30-B-840-8	3985	3710	4260	0.3805	0.3766		80
Core-DL-DF-30-B-865-8	6530	6020	7040	0.3123	0.3283		80

Note:

1. Ranking at steady status and in typical condition as below:  $t_p=65^{\circ}\text{C}$
2. Tolerance of measurements for the color rendering Ra is  $\pm 2$ .
3. Tolerance of measurements for the Chromaticity Coordinate is  $\pm 0.005$ ; the tolerance of CCT should be calculated accordingly.

**Table 3. HE Mode performance table:**

Core-DL-DF-10-B-xxx-4

	Current(mA)	Flux (%)	Efficacy (%)	Typ Vf (V)	Power (W)
HO Mode	250	100%	100%	34	8.5
HE Mode	225	90%	101.5%	33.6	7.56
	200	81.25%	103.3%	33.45	6.7
	180	74%	105%	33.3	6
	150	63%	108%	33.2	5

Core-DL-DF-20-B-xxx-6

	Current(mA)	Flux (%)	Efficacy (%)	Typ Vf (V)	Power (W)
HO Mode	500	100%	100%	34	17
HE Mode	450	91.3%	103%	33.7	15.2
	400	82.2%	105%	33.5	13.4
	350	74%	108%	33.4	11.7

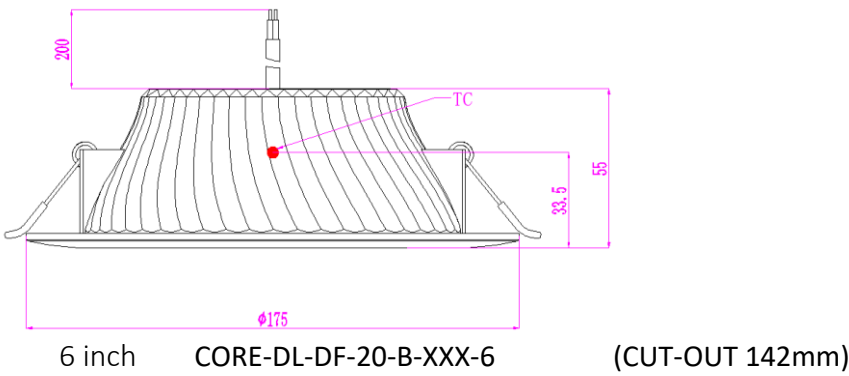
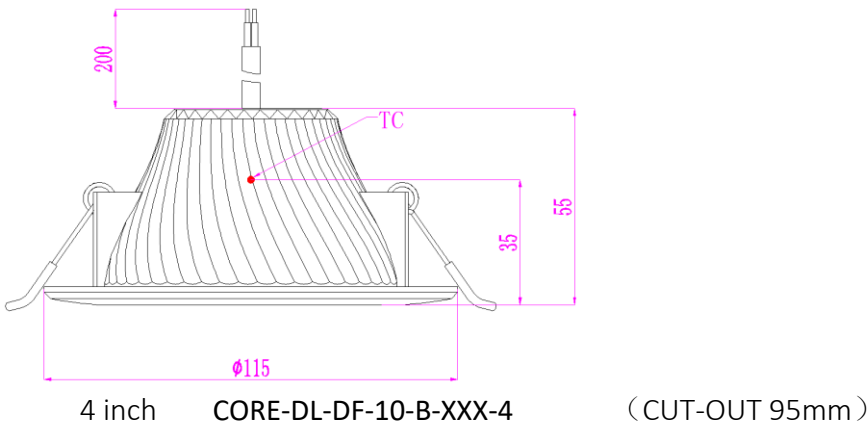
Core-DL-DF-30-B-xxx-8

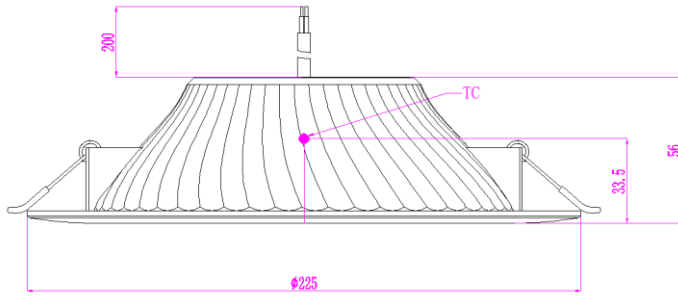
	Current(mA)	Flux (%)	Efficacy (%)	Typ Vf (V)	Power (W)
HO Mode	700	100%	100%	34	23.8
HE Mode	650	92.3%	101%	33.7	21.9
	600	86%	102.4%	33.5	20.1
	550	80%	103.8%	33.4	19.4
	500	73.4	105.5%	33.3	16.7

Table 4. Environmental and Application Conditions

Operating (case) temperature range (tC)	-20~+75°C
Storage temperature range	-40~+80°C
IP rating	IP20
Lifetime @ tp (L70/B50)	50000hrs
Guarantee	3 years
Net weight	100g (4inch) 、 205g (6inch) 、 320g (8inch)

Mechanical Dimensions





8 inch CORE-DL-DF-30-B-XXX-8 (CUT-OUT 180mm)

Table 5: Driver Matching

Product name	Driver model	Drive Current(mA)	System Flux (Refer to table 3)	Driver feature	
Core-DL-DF-10-B-xxx-4	ELEMENT 10/220-240/250 G3	250	100%	ON OFF	
	ELEMENT 8/220-240/200 G3	200	81.25%	ON OFF	
	ELEMENT 6/220-240/150 G3	150	63%	ON OFF	
	ELEMENT 10/220-240/250 S LPF M	250	100%	ON OFF	
	ELEMENT 8/220-240/200 S LPF	200	81.25%	ON OFF	
	ELEMENT 6/220-240/150 S LPF	150	63%	ON OFF	
	OT FIT 20/220-240/500 CS	250	100%	ON OFF	
	OT FIT 8/220-240/180 CS I MINI	180	74%	ON OFF	
	OT FIT 15/220-240/350 NFC	250	100%	ON OFF	
		225	90%		
		180	74%		
		150	63%		
		OT FIT 18/220-240/450 CS PC	225	90%	Phase cut
		OT FIT 8/220...240/180 CS PC	180	74%	Phase cut
		OTI DALI 15/220-240/1A0 NFC	250	100%	DALI
			225	90%	
			180	74%	
			150	63%	
Core-DL-DF-20-B-xxx-6	ELEMENT 20/220-240/500 G3	500	100%	ON OFF	
	ELEMENT 15/220-240/350 G3	350	74%	ON OFF	
	ELEMENT 15/220-240/350 S LPF	350	74%	ON OFF	
	OT FIT 20/220-240/500 CS	500	100%	ON OFF	
		450	91.3%		
		350	74%		
		OT FIT 25/220-240/700 NFC	500	100%	ON OFF
		450	91.3%		
		400	82.2%		

		350	74%	
	OT FIT 30/220-240/800 CS PC	500	100%	Phase cut
	OT FIT 18/220-240/450 CS PC	450	91.3%	Phase cut
		350	74%	
	OTI DALI 25/220-240/700 NFC	500	100%	DALI
		450	91.3%	
		400	82.2%	
		350	74%	
	OTi DALI 20/220...240/500 NFC I	500	100%	DALI
		450	91.3%	
		400	82.2%	
		350	74%	
<b>Core-DL-DF-30-B-xxx-8</b>	ELEMENT 28/220-240/700 G3	700	100%	ON OFF
	ELEMENT 25/220...240/600 G3	600	86%	ON OFF
	ELEMENT 20/220...240/500 G3	500	73.4%	ON OFF
	OT FIT 30/220-240/700 CS	700	100%	ON OFF
		650	92.3%	
		600	86%	
		500	73.4%	
	OT FIT 40/220-240/1A0 NFC	700	100%	ON OFF
	OT FIT 25/220-240/700 NFC	700	100%	ON OFF
		650	92.3%	
		600	86%	
		550	80%	
		500	73.4%	
	OT FIT 30/220-240/800 CS PC	700	100%	Phase cut
		600	86%	
		500	73.4%	
	OTI DALI 25/220-240/700 NFC	700	100%	DALI
		650	92.3%	
		600	86%	
		550	80%	
		500	73.4%	
	OTI DALI 35/220-240/1A0 NFC	700	100%	DALI
		600	86%	
	OTi DALI 30/220...240/700 NFC I	700	100%	DALI
		650	92.3%	
		600	86%	
		550	80%	
		500	73.4%	

**Table 6: Ordering Codes**

1. CORE-DL-DF-10-B-XXX-4

<b>EAN10</b>	<b>Product Code</b>	<b>Qty per Package(pcs)</b>
4062172288446	CORE-DL-DF-10-B-827-4	80
4062172288460	CORE-DL-DF-10-B-830-4	80
4062172288484	CORE-DL-DF-10-B-840-4	80
4062172288507	CORE-DL-DF-10-B-865-4	80

2. CORE-DL-DF-20-B-XXX-6

<b>EAN10</b>	<b>Product Code</b>	<b>Qty per Package(pcs)</b>
4062172288521	CORE-DL-DF-20-B-827-6	40
4062172288545	CORE-DL-DF-20-B-830-6	40
4062172288569	CORE-DL-DF-20-B-840-6	40
4062172288583	CORE-DL-DF-20-B-865-6	40

3. CORE-DL-DF-30-B-XXX-8

<b>EAN10</b>	<b>Product Code</b>	<b>Qty per Package(pcs)</b>
4062172288606	CORE-DL-DF-30-B-827-8	20
4062172288620	CORE-DL-DF-30-B-830-8	20
4062172288644	CORE-DL-DF-30-B-840-8	20
4062172288668	CORE-DL-DF-30-B-865-8	20