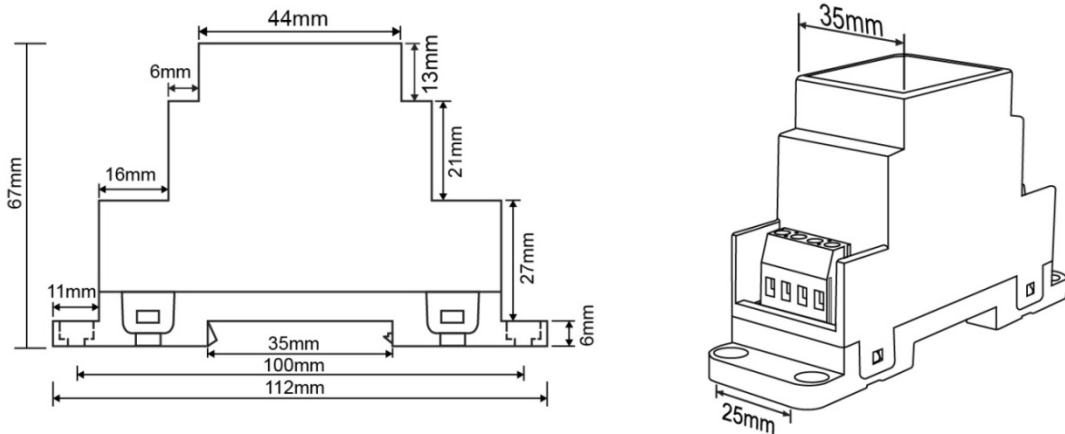
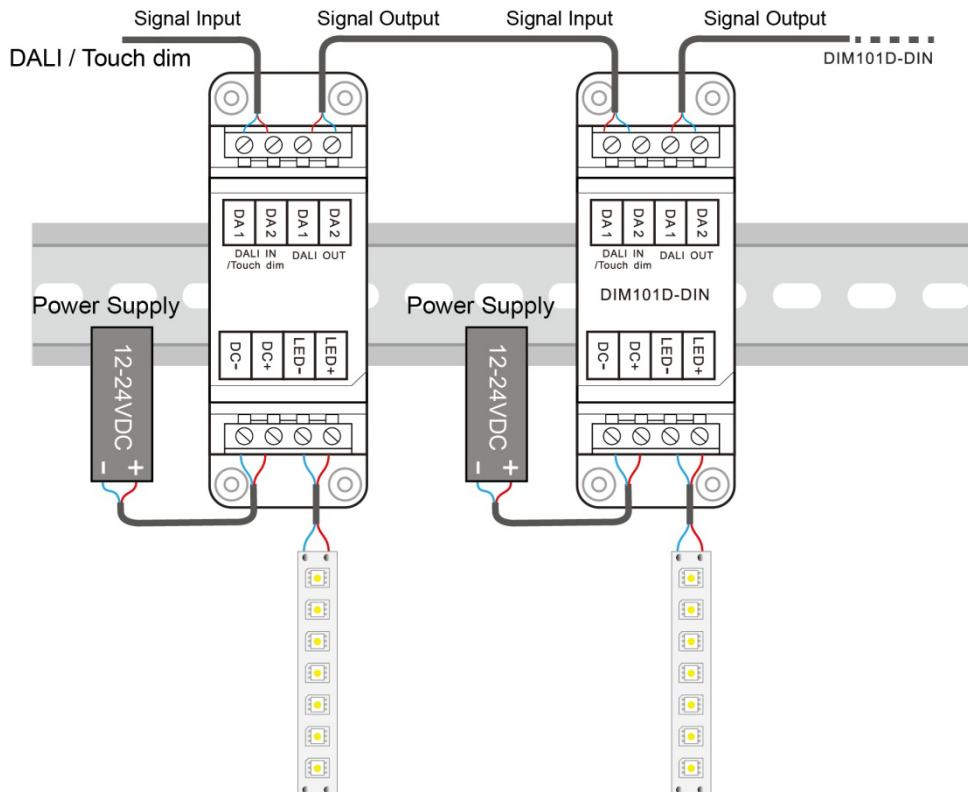


Dimension

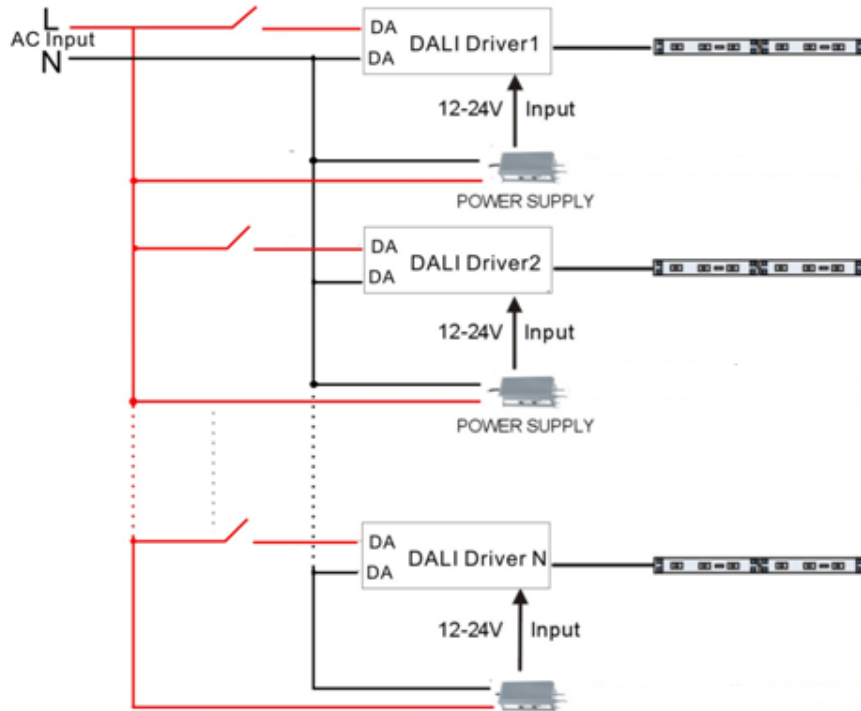


Wiring Diagram



Remark: Only use open push button without indicator light. Maximum cable length between each Unit: 20 meters.

Touch DIM wiring diagram



Touch DIM Function

1. Short press the Touch DIM switch (<0.5s) to control the lamp on or off.
2. Long press the Touch DIM switch (>0.5s) to dim the brightness of light. The dimming direction will change every time after pressing switch.
3. When the light being turned off, long press the Touch DIM switch can turn on the light and adjust the brightness according to the dimming direction.
4. The brightness adjustment range is 0%-100%, and the light can be turned off through short pressing when doing the adjustment with long pressing Touch DIM switch
5. With the Power off memory function, the power-down state will be recovered when power on again.

Cautions

1. This unit must be installed by a qualified electrician.
2. DALI and Touch DIM functions cannot be used simultaneously, which can be controlled respectively by using DALI controllers or the equipments with Touch DIM function.
3. Please read the wiring diagram before installation.
4. Use suitable mounting tools to do the wiring and mounting.
5. Please check the connecting method is correct or not before connecting the power.