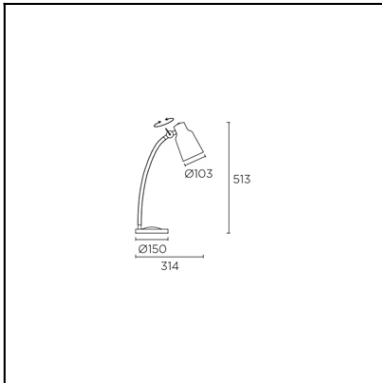
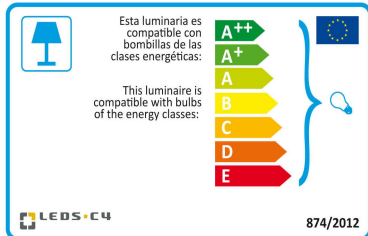




The photograph may not match the reference exactly. Please read the product description to identify the finish.



[Download photometric file .ldt / .ies](#)



[Click on image to download energy label](#)

TECHNICAL CHARACTERISTICS

Type:	Table lamp
Adjustable:	Adjustable 355° on the horizontal axis. Adjustable ±90° on the horizontal axis.
IP Protection degrees:	IP20
Light source 1:	1 x E27 MAX 60W Maximum lamp length: 125.00 mm Maximum lamp diameter: 80.00 mm
Total power consumption (W):	60
Voltage / Frequency:	220-240V/50-60Hz
Warranty (Years):	2
Units per box:	4
Net Weight (Kg):	1.795
EAN:	8435381421199
Stability:	>15°



MATERIALS / FINISHES

Structure material: Steel

Structure finish: Dark brown

