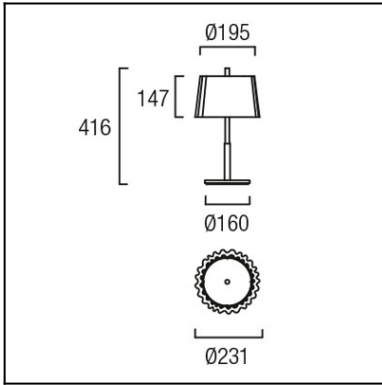


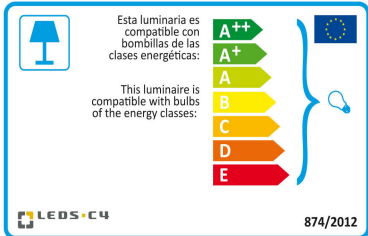
Design by Gemma Bernal



The photograph may not match the reference exactly. Please read the product description to identify the finish.



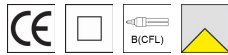
Download photometric file .ldt / .ies



Click on image to download energy label

TECHNICAL CHARACTERISTICS

| | |
|------------------------------|--|
| Type: | Table lamp |
| IP Protection degrees: | IP20 |
| Light source 1: | 2 x E14 max15W Maximum lamp length: 100.00 mm Maximum lamp diameter: 45.00 mm |
| Total power consumption (W): | 30 |
| Voltage / Frequency: | 220-240V/50-60Hz |
| Warranty (Years): | 2 |
| Units per box: | 1 |
| Net Weight (Kg): | 2.5 |
| EAN: | 8435111083260 |



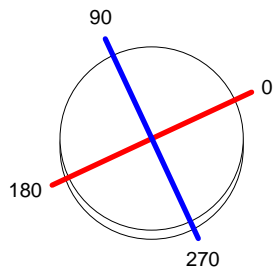
MATERIALS / FINISHES

| | | | |
|----------------------------|--------|---------------------------|--------------|
| Structure material: | Steel | Diffuser material: | Methacrylate |
| Structure finish: | Chrome | Diffuser finish: | Transparent |

| | | | | | |
|----------------------------|-----------------------|-------------------|-----------------------------|--------------------|--------------------|
| Luminaire | | Measur. | | Lamp | |
| Code | 10-4413-21-M2 | Code | 10-4413-21-M2 | Code | PL ELEC11W/827 E14 |
| Name | Portatil 2x11W PL E14 | Name | Portatil 2x11W PL E14 | Number | 2 |
| Line | Eulumdat | Date | 07-09-2011 | Position | |
| Efficiency | 50.58% | Coordinate system | CG | Total Flux | 1200.00 lm |
| Maximum value | 226.71 cd | Position | C=75.00 G=25.00 | Double Symmetrical | |
| Round Luminaire | Diam. | 190 mm | Height | 380 mm | |
| Round Luminous Area | Diam. | 190 mm | Height | 70 mm | |
| Horizontal Luminous Area | 0.028353 m2 | | Emitting area on Plane 180° | 0.013300 m2 | |
| Emitting area on Plane 0° | 0.013300 m2 | | Emitting area on Plane 270° | 0.013300 m2 | |
| Emitting area on Plane 90° | 0.013300 m2 | | Glare area at 76° | 0.019764 m2 | |
| Symmetry Type | Double Symmetrical | | Maximum Gamma Angle | 90 | |
| Measurement Distance | 0.00 | | Measurement Flux | 1200.00 lm | |
| Operator | Asselum T2 | | Source voltage | | |
| Temperature | 25.00 °C | | Source current | | |
| Humidity | 60.00 % | | Photocell | | |
| Notes | | | | | |

| Luminaire Lamps | | | | | |
|-----------------|--------------------|------------------------------|-----------|----------|------|
| Line | Code | Name | Flux [lm] | Pow. [W] | Q.ty |
| Eulumdat | PL ELEC11W/827 E14 | PL ELEC11W/827 E14 - 11.00 W | 600.00 | 11.00 | 2 |
| C.I.E. | 42 77 95 100 51 | D DIN 5040 | A30 | | |
| F UTE | 0.51 E | B NBN | BZ 5 | | |

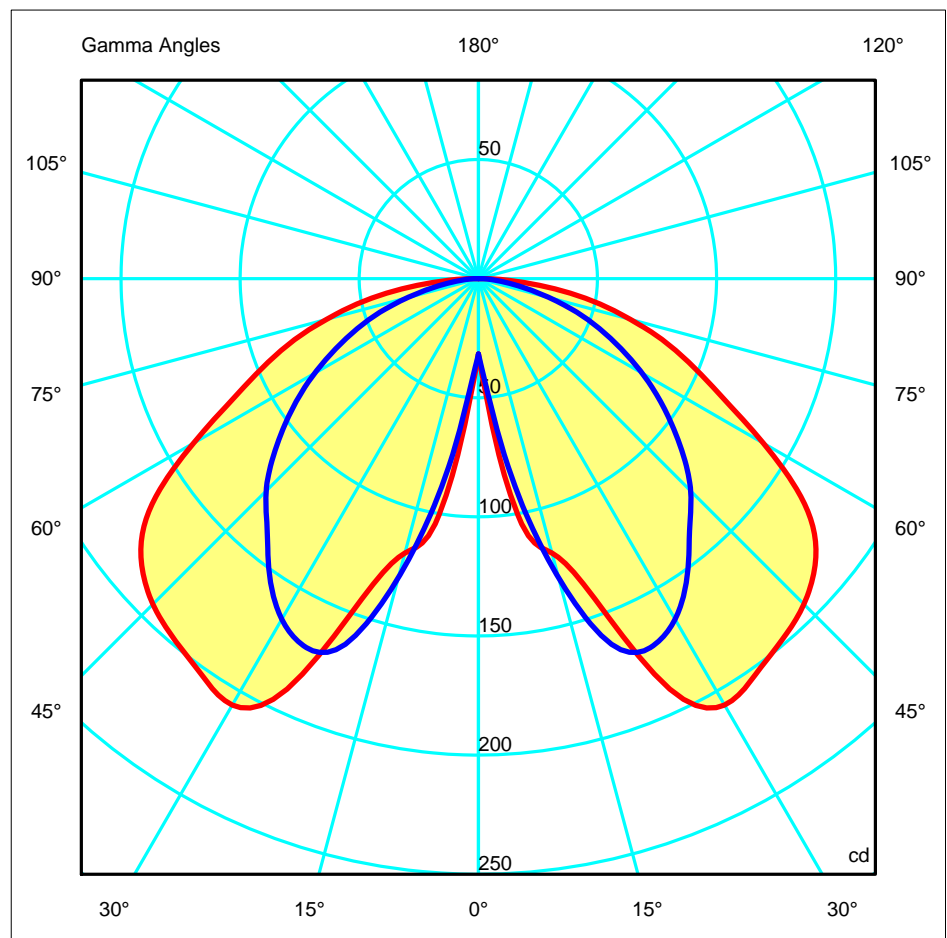
Diam=190mm

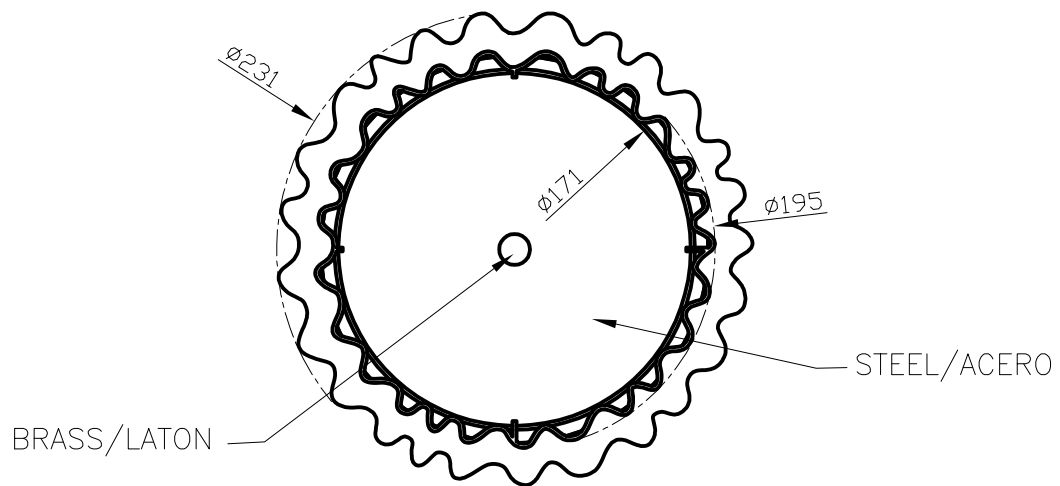
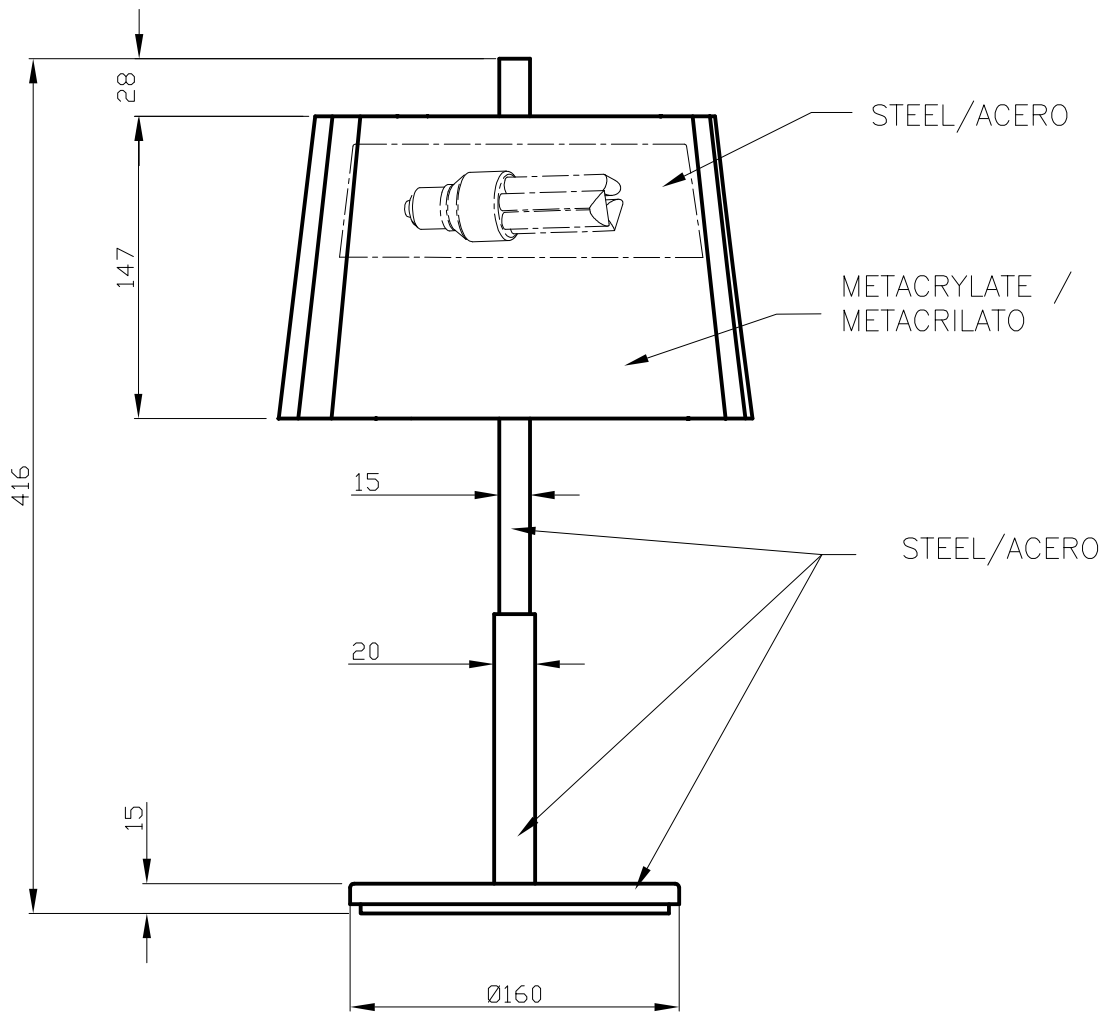


C Halfplanes

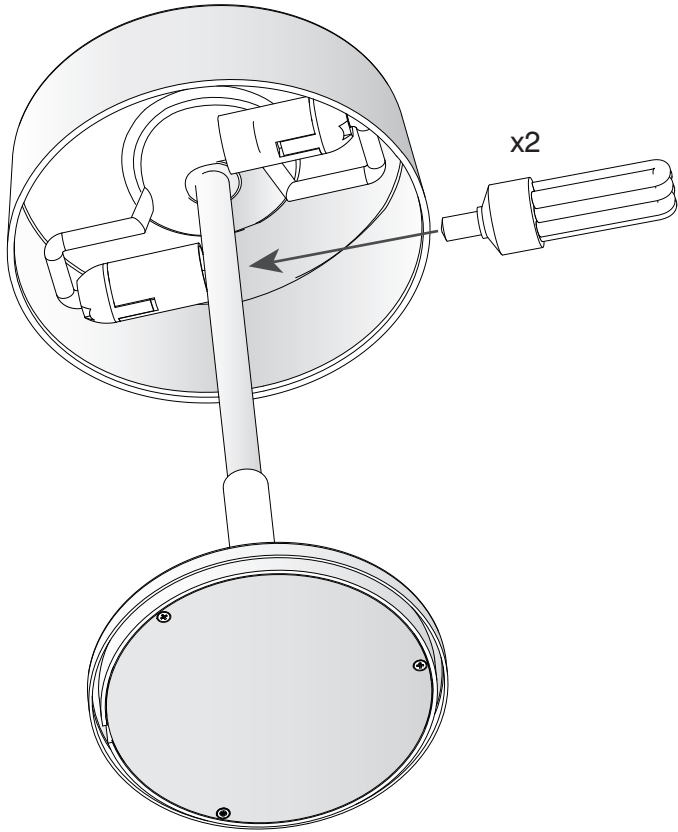
180.0 — 0.0
270.0 — 90.0

ULOR 0.00 %
DLOR 50.58 %
RN 0.00 %

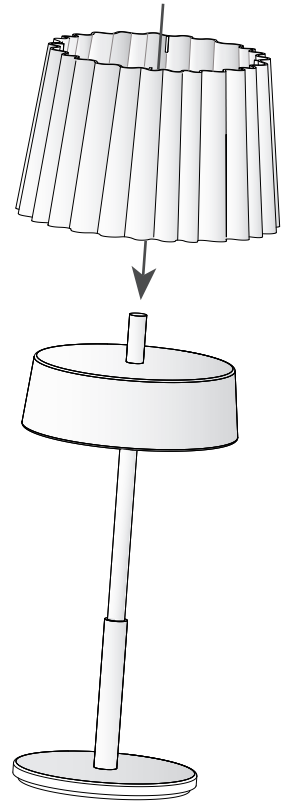




1



2



3

