

TECHNICAL DATA SHEET

The beacon array has 48 off extra bright, long life SMT LED's giving 360degree light output around the vertical axis. The LEDA unit also incorporates 2 piezo buzzers in the base of the unit. Creating a combined audible and visual warning device. The buzzers on the DC version can be controlled independently of the light.

Part Code:	Voltage:	Light Source:	Current:				
			01	02	03	04	05
LEDD125-02	24v Dc ---	48 LEDs	150 mA	170 mA	170 mA	170 mA	170 mA
LEDD125-03	115v Ac ~	48 LEDs	60 mA	60 mA	60 mA	60 mA	60 mA
LEDD125-04	230v Ac ~	48 LEDs	40 mA	40 mA	40 mA	40 mA	40 mA
LEDA125-02	24v Dc ---	48 LEDs	155 mA	175 mA	175 mA	175 mA	175 mA
LEDA125-03	115v Ac ~	48 LEDs	60 mA	60 mA	60 mA	60 mA	60 mA
LEDA125-04	230v Ac ~	48 LEDs	40 mA	40 mA	40 mA	40 mA	40 mA

LEDD-(A)125 supplied pre-set for Rapid Flash and (Buzzers synchronised to the flash rate).

For Lens colours add: 01 Amber, 02 Red, 03 Blue, 04 Green and 05 Clear

Key Features Include:

Note: No 'loop in' 'loop out' terminals are provided, for daisy chain applications the combined wire size must not exceed 2.5mm².

- Ingress Protection: IP65
- Operating Temperature Range: -20 +55
- Enclosure Materials: UV Stable Polycarbonate Lens. UV Stable ABS Base.
- Buzzers Frequency: 3.1kHz +/- 500Hz
- Audibility: 90 dBA +/- 3 @ 1 Metre
(adds additional 20mA to running current when activated)
- AC Supply: 50/60 Hz

Cabling Details:

Will accept shrouded cable up to 7mm in diameter.

Maximum 1.5mm² (14 – 22 AWG) stranded core with 4mm cut back.

Optional Equipment:

- 50003 Cage Guard (fixings supplied).
Note: Guard cannot be used in conjunction with bracket.
- 50007 Right Angled Wall Bracket.

Moflash part code S00405 Issue 5



INSTALLATION & TECHNICAL INFORMATION

PLEASE READ PRIOR TO INSTALLATION



LEDD125 & LEDA125 Series - (LED Array)

VISUAL & AUDIBLE COMBINATION SIGNALLING DEVICES

APPROVALS AND CONFORMITIES



Website: www.moflash.com

Email: technical@moflash.co.uk

INSTALLATION DATA SHEET

24v Dc Beacon Installation

Remove 3 x M3 screws and the base plate from the body. Pierce the cable grommet. Insert power cable & possible control cables through the grommet, pull back slightly (10mm) for the grommet to form a weatherproof seal.

Connect power cable to the two way terminal block on PCB, marked J1, not polarity sensitive. See picture one.

The beacon is supplied with a wire link in the terminal block marked '3rd Wire' (see picture one). This enables the buzzers to operate in conjunction with the flash mode (Operational Modes table).

To enable the remote operation of the buzzers, the link wire in terminals marked '3rd Wire' needs to be removed and the customers external 'volt free' control switch connected to the 3rd wire terminals. This arrangement will enable the buzzers to sound only when the external switch is closed (refer diagram one).

To enable remote operation of both LED array and Buzzers, remove the link wire in 3rd Wire terminals and connect supply +ve via a remote switch to the 3rd Wire terminal marked '-' (refer diagram two).

115v & 230v Ac Beacon Installation

The 'AC' units are supplied with a 1 metre length of flying lead. There are no internal connections to be made. These units are supplied as a synchronous audible / visual signal only and the buzzers cannot be operated independently of the light.

Operational Modes of LEDD and LEDA (Audible) Beacon

To access the Jumper links it will be necessary to remove the beacon lens (See picture two).

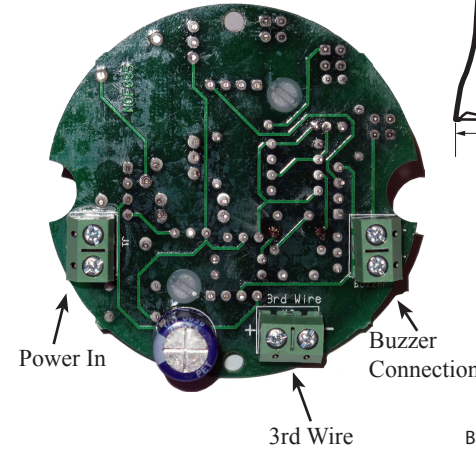
Flash Type:	FPM:	Jumper Position:
Rapid Flash	90	J5 Jumper in position B & J3 Jumper in position A – Factory Setting
Standard Flash	60	J3 Jumper in position B & J5 Jumper in position B
Steady Mode	no flash	J5 Jumper in position A – Remove Jumper from J3
Buzzer (LEDA only)	n/a	J9 Jumper in position A – Buzzer Synchronised to LED J9 Jumper in position B – Buzzer Steady Mode

General Installation Notes

- The DC supply must be fully rectified and smoothed. If not suppression will be required. Typical suppression units RS 219-2921 or RS 240-696 will suffice.
- Installation must be carried out in accordance with latest codes and regulations by a qualified electrician.
- Ensure power source is disconnected prior to installation or maintenance.
- Environmental conditions during installation should be dry and not wet or moist.
- The beacon is weatherproof to IP65 only when mounted with the lens uppermost ie. above the black base.
- The Lens is Polycarbonate plastic. Avoid cleaning with petroleum based cleaners.
- Avoid mounting the beacon where it will be subject to excessive vibration.

LEDD125 & LEDA125 Series

Picture 1



Picture 2

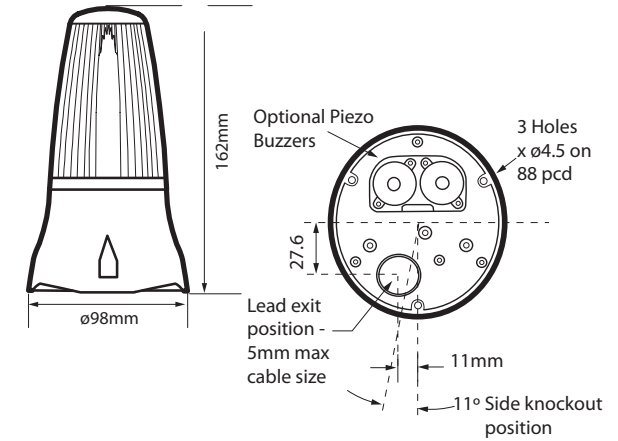
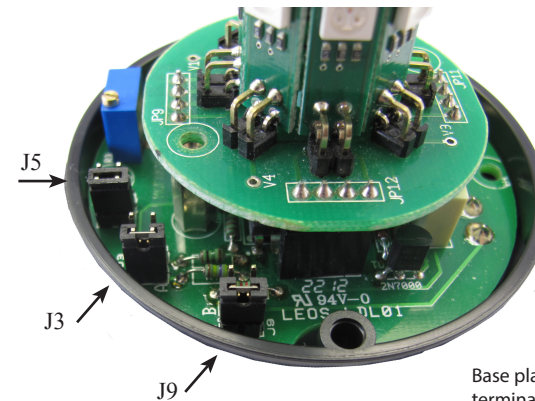


Diagram 1

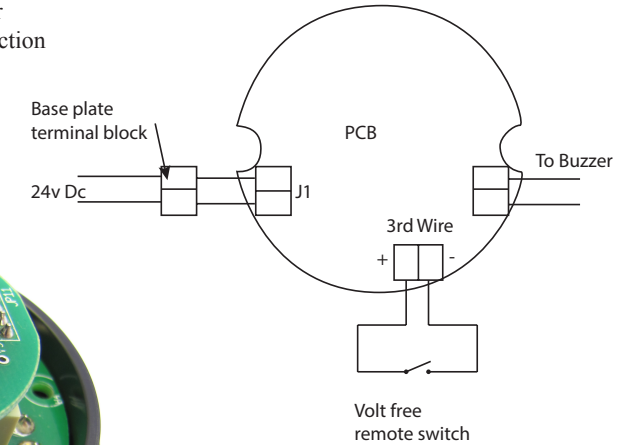


Diagram 2

