

Datasheet

RS Pro Wedge Filament Indicator Lamp, Clear, 28 V, 40 mA, 10000h

RS Stock No: **655-9744**



Product Details

RS Pro wedge filament indicator lamp comes with clear lens. It has a voltage rating of 28 V and current rating of 40 mA. The lamp has 10000 h life. This lamp is used in automotive and OEM industries.

Features and Benefits

- Voltage rating of 28 V
- Current rating of 40 mA
- 10000 hours lifetime



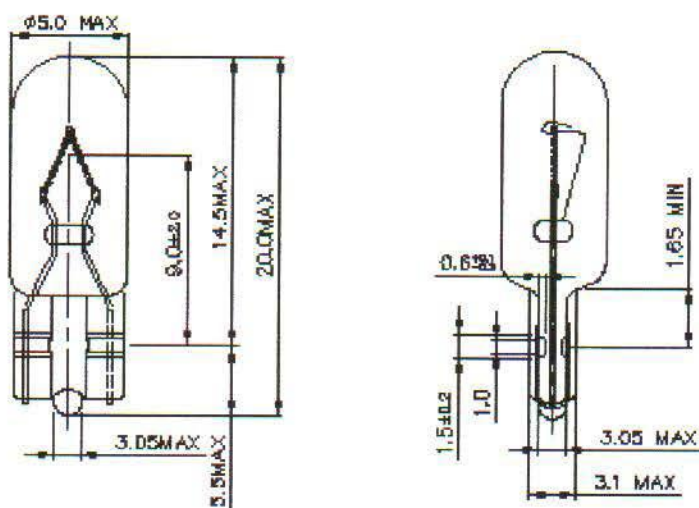
Specifications:

| | |
|----------------|---------|
| Current Rating | 40 mA |
| Diameter | 5 mm |
| Lamp Base | Wedge |
| Lamp Size | T1 1/2 |
| Length | 20 mm |
| Lens Colour | Clear |
| Life Hours | 10000 h |
| Luminosity | 3.53 lm |
| Voltage Rating | 28 V |

RS Stock No.

6559744

DRAWING - I



Unit : mm

| | | |
|---------------------------|---------------|------------------|
| 1. Structure | Bulb Type | T1 1/2 Clear |
| | Bulb Diameter | $\phi 5.0$ Max. |
| | Length | 20.0Max |
| | Base Type | Wedge Base |
| 2. Design Characteristics | Voltage | 28V |
| | Amperage | 40mA \pm 10% |
| | Filament Type | Vacuum type |
| | Luminous Flux | 3.53Lm \pm 20% |
| | Life Hours | 10,000Hrs |