

Datasheet

RS Pro BA9s Filament Indicator Lamp, Clear, 130 V, 20 mA, 3000h

RS Stock No: **360-7878**



Product Details

RS Pro BA9s filament indicator lamp works with currents up to 20 mA and voltages up to 130 V. This clear light delivers 4.5 lumens of bright output with a lifetime of 3000 hours.

Features and Benefits

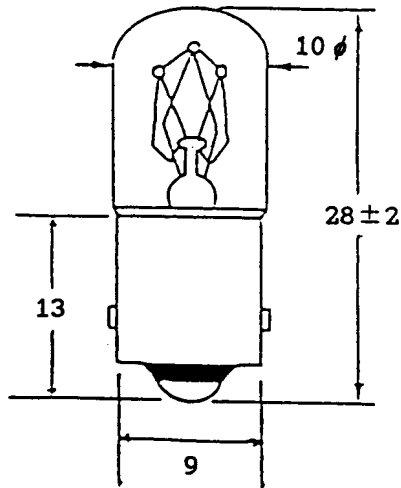
- Clear light
- 4.5 lumens output
- 3000 hours lifetime



Specifications:

Current Rating	20 mA
Diameter	10 mm
Lamp Base	BA9s
Lamp Size	T10
Length	28 mm
Lens Colour	Clear
Life Hours	3000 h
Luminosity	4.53 lm
Voltage Rating	130 V

DRAWING - I



Unit : mm

1. Structure	Bulb Diameter	10 ± 1mm
	Length	28 ± 2mm
	Base Type	Ba9s/13
2. Design Characteristics	Voltage	130V
	Amperage	20mA ± 10%
	Filament Type	C-5A
		Vacuum type
	MSCP	0.36 CP ± 20%
Life Hours	3000 Hrs	