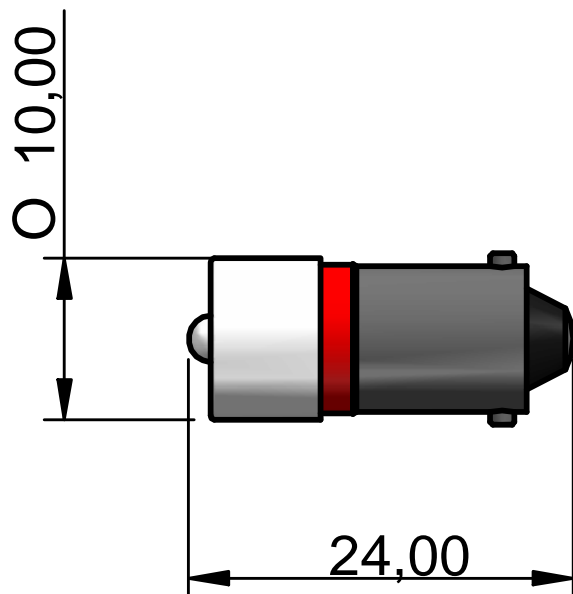




# Datasheet

ENGLISH

RS ITEM NO 209-478



LED/Multiled	LED	Optimum voltage (V)	24Vac/Dc	Intensity	1750mcd
Mounting Size	10x25mm	Rectifier	Half Wave		
Mounting Finish		AC current	9mA		
Protection	-	DC current	17mA (max)		
Mount Holder	Ba9	Voltage Tolerance (%)	10%		
Chip Qty	1	Optimum temperature (°C)	-30°C...+60°C		
Indicator colour	Red	Storage temperature (°C)	-30°C...+60°C		
Wavelength (nm)	630	Contact Tab	Ba9 Cap		



Dimension in mm (typical), not to scale.  
We reserve the right to make changes without further notice to this product to improve reliability, function or design.