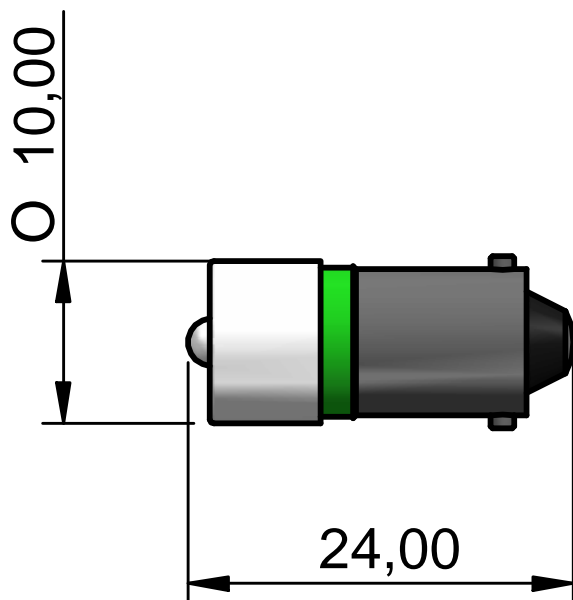




# Datasheet

ENGLISH

RS ITEM NO 205-757



LED/Multiled	LED	Optimum voltage (V)	230Vac	Intensity	345mcd
Mounting Size	10x25mm	Rectifier	Half Wave		
Mounting Finish		AC current	3mA (max)		
Protection	-	DC current	-		
Mount Holder	Ba9	Voltage Tolerance (%)	10%		
Chip Qty	1	Optimum temperature (°C)	-30°C...+60°C		
Indicator colour	Green	Storage temperature (°C)	-30°C...+60°C		
Wavelength (nm)	525	Contact Tab	Ba9 Cap		



*Dimension in mm (typical), not to scale.  
We reserve the right to make changes without further notice to this product to improve reliability, function or design.*