

Rechargeable Torch

Zones: 0, 1, 2, 21 and 22



Product Overview

The Rechargeable Torch uses the latest technology to give excellent performance, robustness and reliability in the extreme conditions and is CE marked to the ATEX Directive and IECEx Certified for safe use in Zones 0 (R-55), 1 and 2 (R-30 and R-50) potentially explosive atmospheres, where a T4 temperature class permits.

The compact and lightweight torch design has a high-grip ergonomic form with easy single-handed switching, even with gloved hands. The high strength torch body has proven impact resistance even at sub zero temperatures. The rubber armoured lens ring and end cap give enhanced grip and shock protection. The lens is resistant to scratches and chemical attack. The enclosure is sealed dust tight and protected from water immersion, with a certified IP67 enclosure. The right-angle body has a replaceable high strength thermoplastic belt clip for hands free use.

Unique optics deliver a piercing beam with outstanding light output from the high power LED or the halogen bulb versions. Duration is over 3 hours; selecting half power doubles this duration. State of battery charge is indicated with a bar of high intensity red LEDs, which go out as battery charge diminishes. Towards the end of discharge, the beam flashes off repeatedly, warning recharging is required. Use of the latest lithium-ion battery technology improves reliability and eliminates 'memory' affect.

The 'quick' charger is configured as a torch holder, with 'snap in/snatch out' function, for quick release but secure retention. The charger is powered by vehicle voltages, but can run from mains voltages when used with the mains power supply. Very low maintenance and quick component replacement are key benefits of this product range. The LED light source is expected to last the product lifetime; the bulb is long life (spare supplied).

Features & Benefits

- ATEX approved for explosive gas and dust atmospheres
- High power LED or Halogen bulb versions for outstanding light output
- Compact and lightweight ergonomic torch design
- Two levels of light output give up to six hours duration
- Battery state-of-charge indicator
- Utilises latest battery technology, eliminates 'memory' affect
- Very low maintenance, quick and easy parts replacement
- Stand-by power failure mode
- Mains and vehicle quick charge options
- All models are supplied with wrist straps and clip rings
- Suitable for cyclic and short and long term standby applications

Certifications



1180

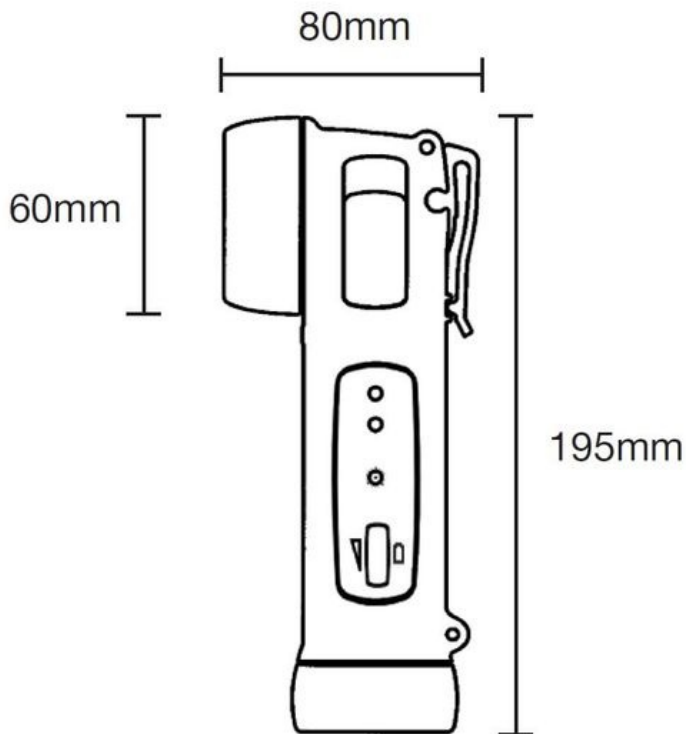
Technical Specification

Product Reference	R-30	R-50	R-55
Product Description	Rechargeable Safety Torch Right Angle		
	Zone 1 Halogen	Zone 1 LED	Zone 0 LED
Code	II 2GD Ex e ib IIC T4 tD A21 IP67 T85° C	II 2GD Ex ib IIC T4 tD A21 IP67 T85° C	II 1G Ex ia IIC T4 IP67
Type of Protection	"e" increased safety, "ia/ib" intrinsic safety, "tD" protection by enclosure		
Area of Class (Gas)	Zones 1 and 2		Zones 0, 1 and 2
	Gas Groups IIA, IIB and IIC		
Temp. Class (Gas)	T4		
Area of Class (Dust)	Zones 21 and 22		-
Max Surface Temp. (Dust)	T85°C		-
Ambient Temp.	-20°C to +40°C		
Certificate	Baseefa05ATEX0068 - IECEXBAS05.0070	Baseefa05ATEX0069 - IECExBAS06.0001	
Enclosure	Impact Resistant Thermoplastic, Electrostatic Non-hazardous		
Lens	Polycarbonate, Impact Resistant with Hardcoat		Toughened Glass 4mm
Beam Type	Spot		
Light Source:	Part No.	R-451	-
	Type	Halogen Filled Filament Bulb	High Power LED
	Volts	6.0V	-
	Watts	4 Watts	3 Watts
	Output	54 lm	Up to 185 lm
	Life	300 hrs	25000 hrs
Power Source:	Part No.	R-271	
	Type	Rechargeable Battery, Lithium-Ion	
	Volts	7.4V	
	Capacity / Life	2.4Ah / Up to 500 Recharge Cycles	
Light Duration	Up to 3.5/6.5 hrs		

Ingress Protection	IP67 to EN60529: 1992	
Weight (inc. cells)	0.340 Kg	0.375 Kg
Charger 12-24Vdc	RC-200L	
Charger 100-254Vac	RC-200H	
Recharge Time	3.0 hrs (90% in 1.5hrs)	

- All information has been gathered under laboratory conditions, the user must regard the values given as approximate.
- Changes may be made to the above specification without notification, details are available on request.

Product Dimensions



Light Output

R-30
 4W Beam (approx 6°)
 Peak luminous intensity at 5m **340lux**

R-50
 3W LED Beam (approx 6°)
 Peak luminous intensity at 5m **630lux**

